

Split

Split

Project: Casa L (Spain)
Project Architecture: ABATON
Interior Design: BATAJVA
Photography: Carlos Murtebas

Specifications

ClimateHub Split R32 A+++

- Integrated solution for heating and domestic hot water
- 4-step quiet operation mode (down to 35dB(A)¹)
- Compact unit size with large water tank (200L & 260L)
- Intuitive, colour screen touch controller in multiple languages
- Energy monitoring through touch controller
- Smooth servicing through the front-mounted service window
- PV and Smart Grid ready
- 2-zone control, suitable for floor heating and radiators
- SCOP rating of A+++
- SmartThings compatible with optional Wi-Fi Kit
- Backup heater is included to ensure continuous heating



		Indoor Unit	Outdoor Unit	Controller	AE200RNWSEG/EU AE040RXEDEG/EU MWR-WW10N	AE200RNWSEG/EU AE060RXEDEG/EU MWR-WW10N	AE200RNWSEG/EU AE090RXEDEG/EU MWR-WW10N		
System	Operation	Nominal Capacity	Heating A7/W35 ¹ / A7/W55 ²	W	4.400/3.900	6.000/5.200	9.000/8.000		
			Cooling A35/W18 ¹	W	5.000	6.500	8.700		
			Power Input (Nominal)	Heating A7/W35 ¹ / A7/W55 ²	W	846/1.320	1.220/1.810	1.870/2.730	
				Cooling A35/W18 ¹	W	1.090	1.470	2.110	
				COP (Nominal Heating) A7/W35 ¹ / A7/W55 ²	W/W	5,20/2,95	4,92/2,87	4,81/2,93	
				EER (Nominal Cooling) A35/W18 ¹	W/W	4,59	4,42	4,12	
				SCOP LWT 35°C/ 55°C	W/W	4,58/3,25	4,58/3,31	4,45/3,24	
				Average Seasonal Space Heating Eff. Class ** LWT 35°C/ 55°C	-	A+++/A++	A+++/A++	A+++/A++	
				Current	MCA	A	16,00	16,00	22,00
					MFA	A	20,00	20,00	27,50
				Leaving Water Temperature ³	Heating	°C	15-65	15-65	15-65
					Cooling	°C	5-25	5-26	5-27
				Functions	Smart Grid Ready / PV Enabled	-	•	•	
			4-Step Quiet Mode	-	•	•			
			2-Zone Control	-	•	•			
Tank Integrated Hydro Unit	Power Supply	Φ, #, V, Hz	1Φ, 2, 220-240V, 50Hz	1Φ, 2, 220-240V, 50Hz	1Φ, 2, 220-240V, 50Hz	3Φ, 4, 380-415V, 50Hz			
		Water Tank Volume	litres	200	200	260			
		Declared Load Profile	L/XL	L	L	L			
		Energy Efficiency Class	-	A+	A+	A+			
		Sound	Sound Pressure ⁴	Heating/ Cooling Std	dB(A)	26	26	26	
			Sound Power	Heating Std	dB(A)	40	40	40	
		Dimensions	Net Weight	kg	136	136	146,0		
Net Dimensions (WxHxD)	mm		595x1800x700	595x1800x700	595x1800x700				
Outdoor Unit	Power Supply	Φ, V, Hz	1Φ, 220-240V, 50Hz	1Φ, 220-240V, 50Hz	1Φ, 220-240V, 50Hz	3Φ, 380-415V, 50Hz			
		Compressor Type	-	BLDC Twin Rotary	BLDC Twin Rotary	BLDC Twin Rotary			
	Base Heater	-	-	-	•				
		Sound Pressure ⁴	Heating Std	dB(A)	44	47	49		
		Cooling Std	dB(A)	46	47	49			
		Night Mode @ 3m	dB(A)	≤ 35	35	35			
	Sound Power	Heating Std	dB(A)	58	60	64			
		Cooling Std	dB(A)	61	62	63			
	Dimensions	Net Weight	kg	46,5	46,5	73,0			
		Net Dimensions (WxHxD)	mm	880 x 638 x 310	880 x 638 x 310	940 x 998 x 330			
	Refrigerant	Type	-	R32	R32	R32			
		Factory Charging	tCO ₂ e	0,81	0,81	0,95			
	Piping	Piping Connections	Liquid Pipe	Φ, mm (inch)	6.35 (1/4")	6.35 (1/4")	6.35 (1/4")		
			Gas Pipe	Φ, mm (inch)	15.88 (5/8")	15.88 (5/8")	15.88 (5/8")		
		Piping Length (ODU-IDU)	Max. [Equiv.]	m	30,00	30,00	35,00		
			Level difference (IDU-IDU)	m	20,00	20,00	20,00		
		Water pipe (Space Heating)	Inlet/Outlet	Φ, mm	28/28	28/28	28/28		
Water pipe (DHW)			Inlet/Outlet	Φ, mm	22/22	22/22	22/22		
Operation		Ambient Temperature	Heating	°C	-25-35	-25-35	-25-35		
			Cooling	°C	10-46	10-46	10-46		
	DHW		°C	-25-43	-25-43	-25-43			

These products contain R32 (GWP=675) which is fluorinated greenhouse gas.

Accessories



Touch Controller	Wi-Fi Kit	External Thermostat	Backup Heater (4/6kW)
MWR-WW10N	MM-H04EN	MRW-TA	MHG-00FE



AE260RNWSEG/EU AE040RXEDEG/EU MWR-WW10N	AE260RNWSEG/EU AE060RXEDEG/EU MWR-WW10N	AE260RNWSEG/EU AE090RXEDEG/EU MWR-WW10N	AE260RNWSEG/EU AE090RXEDEG/EU MWR-WW10N
4.400/3.900	6.000/5.200	9.000/8.000	9.000/8.000
5.000	6.500	8.700	8.700
846/1.320	1.220/1.810	1.870/2.730	1.870/2.730
1.090	1.470	2.110	2.110
5,20/2,95	4,92/2,87	4,81/2,93	4,81/2,93
4,59	4,42	4,12	4,12
4,58/3,25	4,58/3,31	4,45/3,24	4,45/3,24
A+++/A++	A+++/A++	A+++/A++	A+++/A++
16,00	16,00	22,00	10,00
20,00	20,00	27,50	16,10
15-65	15-65	15-65	15-65
5-28	5-29	5-30	5-31
•	•	•	•
•	•	•	•
•	•	•	•
1Φ, 2, 220-240V, 50Hz	1Φ, 2, 220-240V, 50Hz	1Φ, 2, 220-240V, 50Hz	3Φ, 4, 380-415V, 50Hz
260	260	260	260
XL	XL	XL	XL
A+	A+	A+	A+
26	26	26	26
40	40	40	40
146,0	146,0	146,0	146,0
595x1800x700	595x1800x700	595x1800x700	595x1800x700
1Φ, 220-240V, 50Hz	1Φ, 220-240V, 50Hz	1Φ, 220-240V, 50Hz	3Φ, 380-415V, 50Hz
BLDC Twin Rotary	BLDC Twin Rotary	BLDC Twin Rotary	BLDC Twin Rotary
-	-	•	•
44	47	49	49
46	47	49	49
-	35	35	35
58	60	64	64
61	62	63	63
46,5	46,5	73,0	72,0
880 x 638 x 310	880 x 638 x 310	940 x 998 x 330	940 x 998 x 330
R32	R32	R32	R32
0,81	0,81	0,95	0,95
1,2	1,2	1,4	1,4
6.35 (1/4")	6.35 (1/4")	6.35 (1/4")	6.35 (1/4")
15.88 (5/8")	15.88 (5/8")	15.88 (5/8")	15.88 (5/8")
30,00	30,00	35,00	35,00
20,00	20,00	20,00	20,00
28/28	28/28	28/28	28/28
22/22	22/22	22/22	22/22
-25-35	-25-35	-25-35	-25-35
10-46	10-46	10-46	10-46
-25-43	-25-43	-25-43	-25-43

These products contain R32 (GWP=675) which is fluorinated greenhouse gas.



¹35dB(A) is only applicable for 6kW and 9kW outdoor units down to -4°C stated in 3 m distance in an anechoic environment.

** A+++ energy label is available according to EU No 811/2013 label classification 2019, on a scale from D to A+++

¹A2W Condition : (Heating) Water In/Out 30°C/35°C, Outdoor Air 7°C[DB]/6°C[WB]; (Cooling) Water In/Out 23°C/18°C, Outdoor Air 35°C[DB].

²A2W Condition : (Heating) Water In/Out 47°C/55°C, Outdoor Air 7°C[DB]/6°C[WB].

³65°C down to +10°C (max. 60°C down to -5°C)

⁴Sound pressure level is obtained in an anechoic room. Sound pressure level is a relative value, depending on the distance and acoustic environment. Sound pressure level may differ depending on operation conditions.

Specifications

Split with Third Party DHW Tank R32

- Connectable with R32 Split ODU in combination of third party Tank
- Competitive with thermostats, solar panels and back-up boilers
- Intuitive, colour screen touch controller in multiple languages
- Energy monitoring through touch controller
- PV and Smart Grid ready
- 2-zone control, suitable for floor heating and radiators
- SmartThings compatible with optional Wi-Fi kit



Accessories



EHS Controller

Wi-Fi Kit

External Thermostat

MWR-WW10N

MM-MH04EN

MRW-TA



System	Operation	Indoor Unit		AE090RNYDEG/EU	AE090RNYDEG/EU	AE090RNYDEG/EU	
		Outdoor Unit		AE040RKEDEG/EU	AE060RKEDEG/EU	AE090RKEDEG/EU	
System	Nominal Capacity	Heating A7/W35 ¹	W	4.400	6.000	9.000	
		Cooling A35/W18 ¹	W	5.000	6.500	8.700	
	Power Input (Nominal)	Heating A7/W35 ¹	W	846	1.220	1.870	
		Cooling A35/W18 ¹	W	1.090	1.470	2.110	
	COP (Nominal Heating) A7/W35 ¹	W/W		5,20	4,92	4,81	
	EER (Nominal Cooling) A35/W18 ¹	W/W		4,59	4,42	4,12	
	Seasonal Space Heating Eff. Class LWT 35°C/ 55°C	-		A+++/A++	A+++/A++	A+++/A++	
	Current	MCA	A	16,00	16,00	22,00	
		MFA	A	20,00	20,00	27,50	
	Leaving Water Temperature	Heating	°C	15-65	15-65	15-65	
		Cooling	°C	5-25	5-25	5-25	
	Ambient Temperature	Heating	°C	-25-35	-25-35	-25-35	
		Cooling	°C	10-46	10-46	10-46	
		DHW	°C	-25-43	-25-43	-25-43	
	Functions	Smart Grid Ready	-		•	•	•
PV Enabled		-		•	•	•	
2-Zone Control		-		•	•	•	
Wall-Mounted Hydro Unit	Power Supply	Φ, V, Hz		1Φ, 2, 220-240V, 50Hz	1Φ, 2, 220-240V, 50Hz	1Φ, 2, 220-240V, 50Hz	
	Sound	Sound Pressure ²	dB(A)	26	26	26	
		Sound Power	dB(A)	40	40	40	
	Dimensions	Net Weight	kg	45,0	45,0	45,0	
		Net Dimensions (WxHxD)	mm	510 x 850 x 315	510 x 850 x 315	510 x 850 x 315	
	Piping	Liquid Pipe	Φ, mm (inch)	6.35 (1/4")	6.35 (1/4")	6.35 (1/4")	
		Gas Pipe	Φ, mm (inch)	15.88 (5/8")	15.88 (5/8")	15.88 (5/8")	
Outdoor unit	Compressor	Type	-	BLDC Twin Rotary	BLDC Twin Rotary	BLDC Twin Rotary	
	Base Heater	Sound Pressure ²	dB(A)	46	47	49	
		Sound Power	dB(A)	61	62	63	
	Dimensions	Net Weight	kg	46.5	46.5	73.0	
		Net Dimensions (WxHxD)	mm	880 x 638 x 310	880 x 638 x 310	940 x 998 x 330	
	Refrigerant	Type	-	R32	R32	R32	
	These products contain R32 (GWP=675) which is fluorinated greenhouse gas.						
	Factory Charging	tCO ₂ e		1,2	1,2	1,4	
		kg		0,81	0,81	0,95	
	Piping	Piping Connections	Liquid Pipe	Φ, mm (inch)	6.35 (1/4")	6.35 (1/4")	6.35 (1/4")
Gas Pipe			Φ, mm (inch)	15.88 (5/8")	15.88 (5/8")	15.88 (5/8")	
Piping length (ODU-IDU)	Max. [Equiv.]	m	30	30	35		
Level difference (IDU-IDU)	Max.	m	20	20	20		
Chargeless Length		Φ, mm	15	15	15		
Water pipe	Inlet/Outlet	Φ, mm	1+1/4"	1+1/4"	1+1/4"		

AE090RNYDGG/EU	AE090RKEDEG/EU
9.000	
8.700	
1.870	
2.110	
4.81	
4.12	
A+++/A++	
10.00	
16.10	
15-65	
5-25	
-25-35	
10-46	
-25-43	
•	
•	
•	
3Φ, 2, 380-415V, 50Hz	
26	
40	
46.5	
510 x 850 x 315	
6.35 (1/4")	
15.88 (5/8")	
BLDC Twin Rotary	
•	
49	
63	
72.0	
940 x 998 x 330	
R32	
These products contain R410A (GWP=2.088) which is fluorinated greenhouse gas.	
1.4	
0.95	
6.35 (1/4")	
15.88 (5/8")	
35	
20	
15	
1+1/4"	



¹A2W Conditions: (Heating) Water In/Out 30°C/35°C, Outdoor Air 7°C[DB]/4°C[WB]; (Cooling) Water In/Out 23°C/18°C, Outdoor Air 35°C[DB].

²65°C down to +10°C (max. 60°C down to -5°C).

³Sound pressure level is obtained in an anechoic room. Sound pressure level is a relative value, depending on the distance and acoustic environment. Sound pressure level may differ depending on operation conditions.

⁴A+++ energy label is available according to EU No 811/2013 label classification 2019, on a scale from D to A+++.

Specifications

Split (R410A)

- SmartThings compatible with optional Wi-Fi Kit
- Connectable with R410A Split ODU in combination of 3rd party Tank
- Compatible with room thermostats, solar-powered pumps, 2 or 3-way valves and back-up boilers



System	Operation	Indoor Unit		AE160JNYDEH/EU	AE160JNYDGH/EU	AE160JNYDEH/EU	
		Outdoor Unit		AE120XEDEH/EU	AE120XEDGH/EU	AE160XEDEH/EU	
System	Nominal Capacity	Heating A7/W35 ¹	W	12,000	12,000	16,000	
		Cooling A35/W18 ¹	W	12,000	12,000	15,000	
	Power Input (Nominal)	Heating A7/W35 ¹	W	2,590	2,590	3,760	
		Cooling A35/W18 ¹	W	3,100	3,100	4,140	
	CCP (Nominal Heating) A7/W35 ¹	W/W	4,63	4,63	4,26		
	EER (Nominal Cooling) A35/W18 ¹	W/W	3,87	3,87	3,62		
	Seasonal Space Heating Eff. Class LWT 35°C/ 55°C	-	A++/ A+	A++/ A+	A++/ A+		
	Current	MCA	A	28,00	10,00	32,00	
		MFA	A	35,00	16,10	37,50	
	Leaving Water Temperature	Heating	°C	25-55	25-55	25-55	
		Cooling	°C	5-25	5-25	5-25	
	Ambient Temperature	Heating	°C	-25-35	-25-35	-25-35	
		Cooling	°C	10-46	10-46	10-46	
		DHW	°C	-25-43	-25-43	-25-43	
Wall-Mounted Hydro Unit	Power Supply	Φ, V, Hz	1Φ, 2, 220-240V, 50Hz	3Φ, 2, 380-415V, 50Hz	1Φ, 2, 220-240V, 50Hz	3Φ, 2, 380-415V, 50Hz	
	Sound	Sound Pressure ²	dB(A)	50 / 50	50 / 50	54 / 52	
		Sound Power	dB(A)	64 / 64	64 / 64	69 / 66	
	Dimensions	Net Weight	kg	45,0	46,5	45,0	
		Net Dimensions (WxHxD)	mm	510 x 850 x 315	510 x 850 x 315	510 x 850 x 315	
	Piping	Liquid Pipe	Φ, mm (inch)	9.52 (3/8")	9.52 (3/8")	9.52 (3/8")	
Gas Pipe		Φ, mm (inch)	15.88 (5/8")	15.88 (5/8")	15.88 (5/8")		
Outdoor unit	Compressor	Type	-	BLDC Twin Rotary	BLDC Twin Rotary	BLDC Twin Rotary	
	Base Heater	-	•	•	•		
	Sound	Sound Pressure ²	dB(A)	50	50	52	
		Sound Power	dB(A)	64	64	66	
	Dimensions	Net Weight	kg	100,0	101,5	100,0	
		Net Dimensions (WxHxD)	mm	940 x 1420 x 330	940 x 1420 x 330	940 x 1420 x 330	
	Refrigerant	Type	-	R410A	R410A	R410A	
	These products contain R410A (GWP=2,068) which is fluorinated greenhouse gas.						
	Factory Charging	tCO ₂ e	kg	6,22	6,22	6,22	
		kg	kg	2,98	2,98	2,98	
	Piping	Piping Connections	Liquid Pipe	Φ, mm (inch)	9.52 (3/8")	9.52 (3/8")	9.52 (3/8")
			Gas Pipe	Φ, mm (inch)	15.88 (5/8")	15.88 (5/8")	15.88 (5/8")
		Piping length (ODU-IDU)	Max. [Equiv.]	m	50	50	50
		Level difference (IDU-IDU)	Max.	m	30	30	30
Chargeless Length		Φ, mm	15	15	15		
Water pipe		Inlet/Outlet	Φ, mm	1+1/4"	1+1/4"	1+1/4"	

Accessories		
EHS Controller	Wi-Fi Kit	External Thermostat
MWR-W00N	MJM-H03N	MRW-TA

AE160JNYDGH/EU	AE160XEDGH/EU
16,000	
15,000	
3,760	
4,140	
4,26	
3,62	
A++/ A+	
12,00	
16,10	
25-55	
5-25	
-25-35	
10-46	
-25-43	
3Φ, 2, 380-415V, 50Hz	
54 / 52	
69 / 66	
46,5	
510 x 850 x 315	
9.52 (3/8")	
15.88 (5/8")	
BLDC Twin Rotary	
•	
52	
66	
101,5	
940 x 1420 x 330	
R410A	
6,22	
2,98	
9.52 (3/8")	
15.88 (5/8")	
50	
30	
15	
1+1/4"	



¹A2W Conditions : (Heating) Water In/Out 30°C/35°C, Outdoor Air 7°C[DB]/4°C[WB]; (Cooling) Water In/Out 23°C/18°C, Outdoor Air 35°C[DB].

²Sound pressure level is obtained in an anechoic room. Sound pressure level is a relative value, depending on the distance and acoustic environment. Sound pressure level may differ depending on operation conditions.

Specifications

Wi-Fi Kit



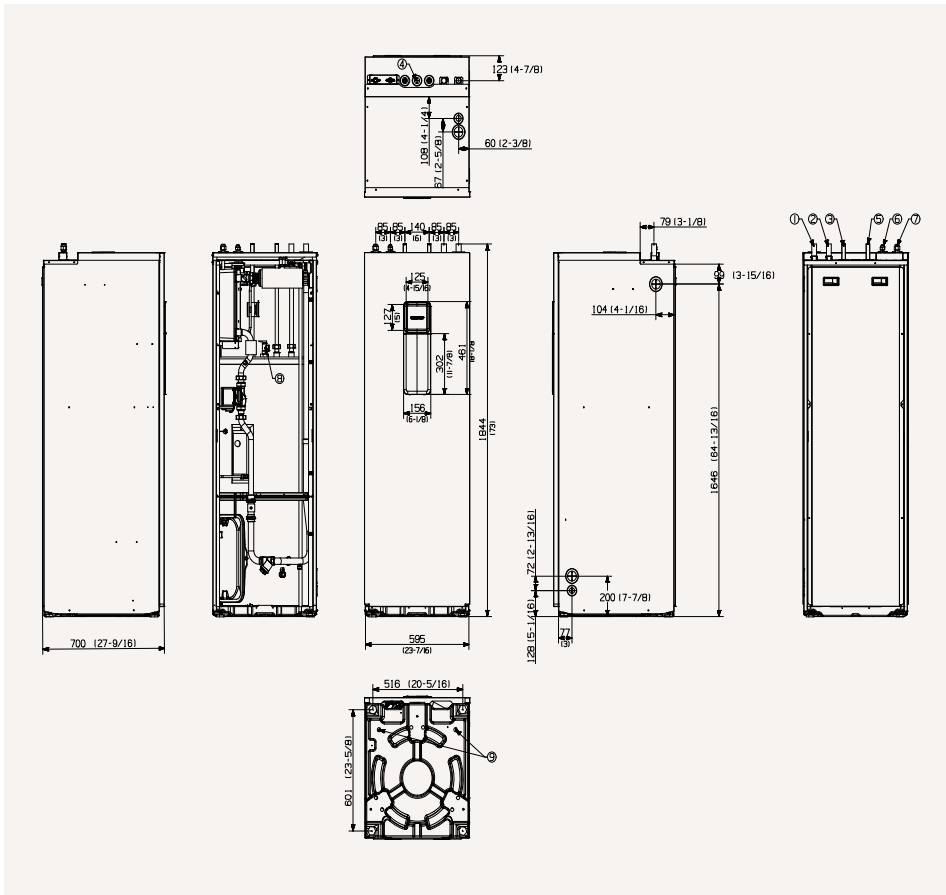
Model		MM-H03N	MM-H04EN
Fan	Compatible Controller	MWR-WW00N (R410A)	MWR-WW10N (R32)
	Max Connected IDU	16	16
	App	SmartThings	SmartThings
	Voice recognition	-	Bixby
	Welcome Cooling/Heating	-	Geofencing
	Automation	-	Customized control with a variety of execution rules.
	Add scene	-	Easy control throughout customized user mode
	Energy monitoring	One outdoor power monitoring (Module can not be monitored)	Individual power monitoring up to 16 outdoor units.
Product Size (mm) WxHxD		120 x 124 x 29	185 x 130 x 29



Dimensional Drawings

Split Tank Integrated Hydro Unit

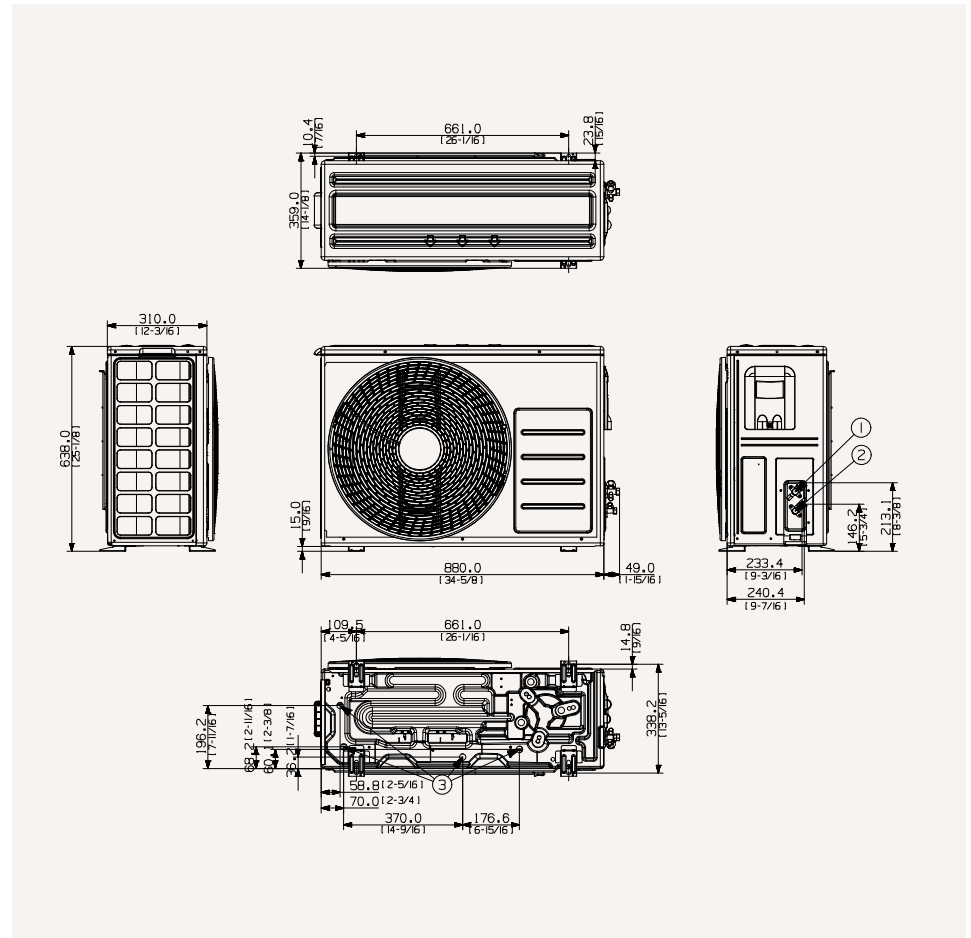
AE200/260RNW**G/EU



NO	Name	Description	
		AE200RNWSEG/EU	AE260RNWS*G/EU
1	Space heating Inlet	Ø28	Ø28
2	Space heating Outlet	Ø28	Ø28
3	DHW Inlet	Ø22	Ø22
4	Secondary water return	N/A	Ø22
5	DHW Outlet	Ø22	Ø22
6	Refrigerant liquid pipe	Ø9.52	Ø9.52
7	Refrigerant Gas pipe	Ø15.88	Ø15.88
8	T/P v/v	Female PT1/2"	Female PT1/2"
9	Drain Holes	(Option) Connect with the provided drain plug	

Split Outdoor

AE040/060RXEDEG/EU

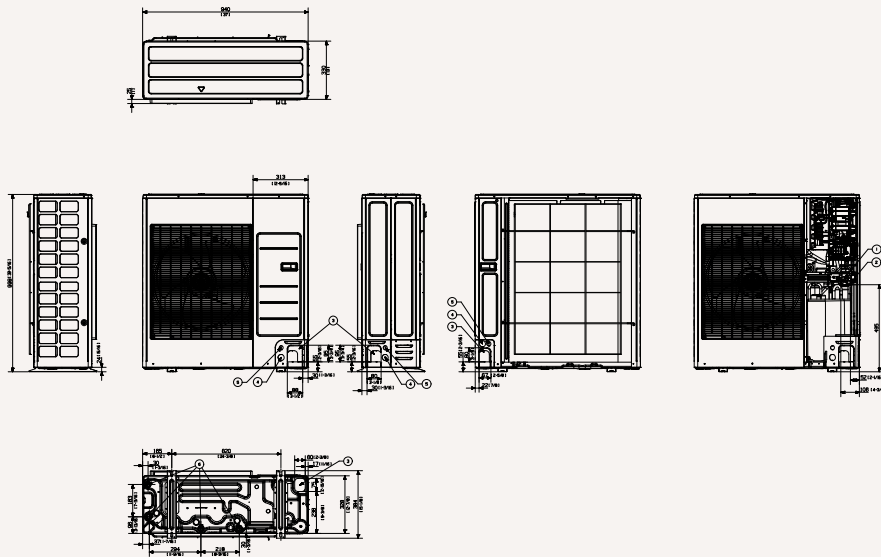


NO	Name	Description	
1	Refrigerant liquid pipe	Ø6.35(1/4)	Ø28
2	Refrigerant gas pipe	Ø15.88(5/8)	Ø28
3	Drain holes	Connect with the provided drain plug.	

Dimensional Drawings

Split Outdoor

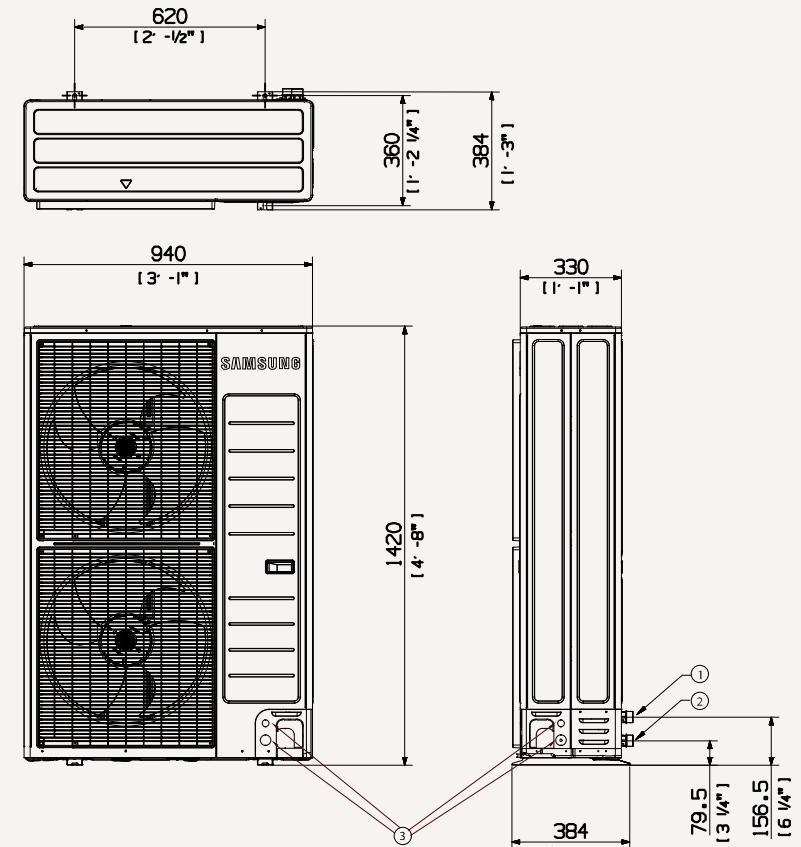
AE09DRXED*G/EU



NO	Name	Description
1	Gas Ref. Pipe	Φ6.35(1/4)
2	Liquid Ref. Pipe	Φ15.88(5/8)
3	Piping intake knockout hole	Front / Side / Rear / Bottom
4	Power wiring conduit	Front / Side / Rear, Φ34 [1-3/8]
5	Communication wiring conduit	Front / Side / Rear, Φ22 [7/8]
6	Drain Hole	Connect with the provided drain plug

Split Outdoor

AE120/160JXYD*H/EU

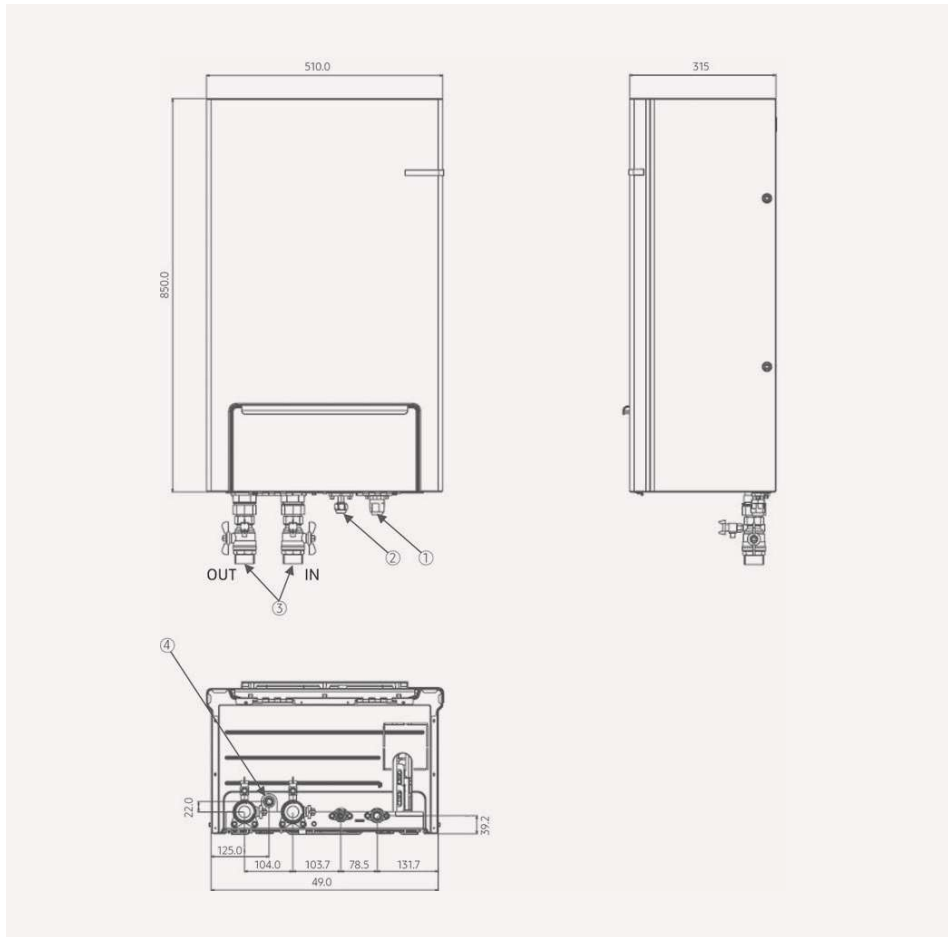


NO	Name
1	Gas Ref. Pipe
2	Liquid Ref. Pipe
3	Drain Hole
4	Power wiring conduit

Dimensional Drawings

Split Wall-Mounted Hydro Unit

AE09RNYD*G/AE160JNYD*H



NO	Name
1	Gas Ref. Pipe
2	Liquid Ref. Pipe
3	Water Pipe (Inlet/Outlet)
4	Drain Hose Connector

