




VRF Chiller

VRF Chiller

Line-up outdoor

Model Type	Image	42 kW	56 kW	65 kW
Non-Pump Model		AG04KSVANH1EU	AG056KSVANH1EU	AG070KSVANH1EU






Combining modules allows each product to work at high capacity. You can combine up to 16 modules.

Combination guide - outdoor

Modulation guide

Total Capacity (kW)	Model			Suggested # of units per core (air conditioning)	Total Capacity (kW)	Model			Suggested # of units per core (water type condenser)
	AG042	AG056	AG070			AG042	AG056	AG070	
42	1			40	455			7	125
56		1		40	462		11		125
65			1	50	104		9		125
84	2			50	504 (high efficiency)	12			125
112		2		65	510		8		125
128	1			65	546		13		125
130			2	80	560		10		125
168		1		80	585		9		125
168 (high efficiency)	4			80	588	14			125
195		1		80	618		11		125
210	5			80	630		15		125
224		4		100	650		10		125
252	6			100	672		12		125
260		4		100	672 (high efficiency)	16			125
280		5		100	715		11		150
294	7			100	728		13		125
315			5	100	780		12		150
336		6		100	794		14		150
336 (high efficiency)	8			100	840		15		150
378	9			100	845		13		150
390		6		100	896		16		150
392		7		100	910		14		150
420	10			100	975		15		150
448		8		125	1,040		16		150

Line-up indoor

Model Type	Image	19 kW	2.6 kW	3.0 kW	4.2 kW	6.0 kW	7.2 kW	7.8 kW	9.0 kW	10.0 kW
1-Way Cassette FCU										
4-Way Cassette FCU										
360 Cassette FCU										
Concealed FCU										
Ceiling FCU										

Wind-Free™ 1-Way Cassette FCU is scheduled to be available by mid-2020.

Selection guide

Cassette



Feature	1-Way Cassette FCU	4-Way Cassette FCU	360 Cassette FCU
Cooling capacity range (nominal)	2.6-4.15 kW	6.0-10.0 kW	6.0-10.0 kW
Heating capacity range (nominal)	2.9-5.0 kW	7.3-10.7 kW	7.3-10.7 kW
Fan motor type	AC/BLDC	BLDC	BLDC
Drain Pump	Built-in	Built-in	Built-in
Filter	Microfibrous filter	Microfibrous filter	Microfibrous filter
3-Way Valve	Optional	Optional	Optional
2-pipe	•	•	•
4-pipe (optional)			
Installation	Horizontal	Horizontal	Horizontal

Concealed 2-in-1 Cover



Feature	Concealed FCU	Cassette FCU
Cooling capacity range (nominal)	1.9-7.8 kW	1.9-7.8 kW
Heating capacity range (nominal)	2.1-8.4 kW	2.1-8.4 kW
Fan motor type	3-step AC	3-step AC
Drain Pump	Optional	Optional
Filter	Polypropylene washable	Polypropylene washable
3-Way Valve	Built-in	Built-in
2-pipe	•	•
4-pipe (optional)	•	•
Installation	Horizontal/vertical	Horizontal/vertical

Nomenclature

Indoor units

AG	072	M	N	4	P	K	H
1	2	3	4	5	6	7	8

1	Classification	AG	Chiller/Fan Coil Unit (FCU)
2	Capacity		x1/10 kW (3 digits)
3	Version	K	2016
		M	2017
		N	2018
4	Product Type	N	Indoor Unit
5	Product Notation	1	1-Way Cassette
		4	4-Way Cassette, 560 Cassette
6	Feature	D	Deluxe
		P	Premium
		E	10, 220-240 V, 50 Hz
7	Voltage Rating	K	10, 220-240 V, 50/60 Hz
8	Mode	H	Heat Pump

Indoor units (third party)

ACL	65	D	F
1	2	3	4

1	Classification	ACL	Chiller/Fan Coil Unit (FCU)
2	Capacity		x1/10 kW (3 digits)
3	Product Notation	D	2-Pipe FCU
		Q	4-Pipe FCU
		A	Accessory
4	Product Type	F	Concealed
		G	Cased

Outdoor units

AG	070	K	S	V	A	N	H
1	2	3	4	5	6	7	8

1	Classification	AG	Chiller (WVM Chiller)
2	Capacity		kW (3 digits)
3	Version	K	2016
		M	2017
		N	2018
4	Product Type	S	SETHVM Chiller
5	Product Notation	V	Inverter
6	Feature	A	Non-pump
7	Voltage Rating	N	30, 380-415 V, 50/60 Hz
8	Mode	H	Heat Pump

Specifications

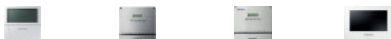
HVM Chiller

- Air-cooled HVM Chiller Heat Pump.
- Option of connecting up to 16 modules for a total capacity of more than 1 MW.
- Capacity modulation between 15% and 100%.
- Each unit houses 2 Inverter Scroll compressors, all equipped with Flash Injection technology.



Model Name		AD 04 230V/50/60 Hz	6 000 kV/50/60 Hz	16 070 kV/50/60 Hz
Power Supply	Capacity (Nominal)	42	56	65
	Power Input (Nominal)	12.4	16.7	26.0
Performance	Cooling (Nominal)	42	56	70
	Heating (Nominal)	11.83	15.50	24.39
Efficiency	COP (Nominal Cooling) (nominal input is not included)	3.4	3.0	2.5
	ESER (Pump input is not included)	5.7	5.4	5.0
Fan	Type	-	Axial Fan	Axial Fan
	Number of Fans	-	2	2
Airflow Rate	Cooling	344 (182 x 2)	344 (182 x 2)	392 (196 x 2)
	Heating	4207	4207	4207
External Static Pressure	Max.	8.00	8.00	8.00
	Pi	78.5	78.5	78.5
Fan Motor	Type	-	BLDC Motor	BLDC Motor
	Output (W)	630 x 2	630 x 2	630 x 2
Water Side Heat Exchanger	Type	-	Bracing Plate	Bracing Plate
	Water Flow Rate (Cooling/Heating)	120/120	140/140	186/200
Pressure Drop (Set, nominal)	Cooling	60	100	120
	Heating	1	1	1
Pipe Connection (Inlet/Outlet)	Flange	40	40	50
	Quantity	2	2	2
Wiring Connections	Communication	Misc.	0.75	0.75
	Remark	-	F1, F2	F1, F2
Refrigerant	Type	-	R410A (GWP=2,088) which is a fluorinated greenhouse gas	-
	Factory Charging	kg x CO ₂	18/3758	18/3758
Sound	Cooling	60	62	63
	Heating	57	59	64
External Dimensions	Net Weight	446.0	446.0	446.0
	Net Dimensions (W x H x D)	mm	1,795 x 1,695 x 765	1,795 x 1,695 x 765
Operating Water Temperature Range	Cooling	5.0-25.0	5.0-25.0	5.0-25.0
	Heating	-15.0-35.0	-15.0-35.0	-15.0-35.0
Operating Water Flow Range	Cooling	60-240	80-320	93-400
	Heating	25.0-55.0	25.0-55.0	25.0-55.0
Operating Ambient Temperature Range	Cooling	-15.0-48.0	-15.0-48.0	-15.0-48.0
	Heating	-25.0-43.0	-25.0-43.0	-25.0-43.0

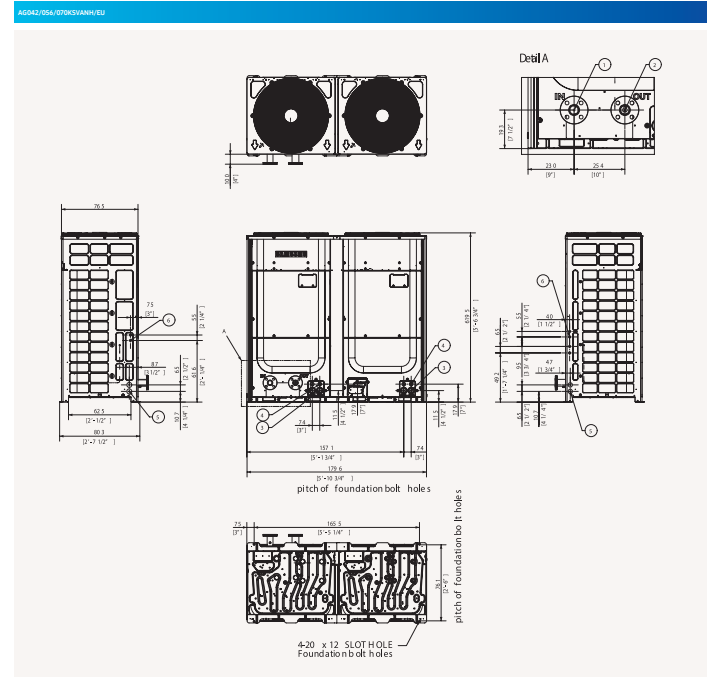
Accessories



Main Controller	DMS-J	BACNet Gateway	Touch Controller Controller
MCH-400g	MCH-500g	MCH-675g	MCH-630g

Dimensional drawings

HVM Chiller



NO	Symbol	Description
1		Inlet water flange
1		Outlet water flange
3		Power Ring contacts
4		Communication wiring contacts
5		Power Ring contacts
6		Communication wiring contacts

Specifications

1-Way Cassette FCU

- One-way air supply by means of a 100 mm wide blade.
- Cross-flow fan direct driven by a BLDC motor.
- Built-in condensation drain pump.
- 3-Way valve kit (optional).
- Compatible with Wi-Fi Kit controller.



Model		AG03M11D/EV/ES	AG03M11D/EH/EU	AG042M11D/EV/ES		
Power Supply	Φ, V, Hz	10, 220-240 V, 50 Hz	10, 220-240 V, 50 Hz	10, 220-240 V, 50 Hz		
Mode		HP	HP	HP		
Performance	Capacity (Nominal)	Cooling	2.60	3.00	4.15	
		Heating	2.90	3.35	5.00	
Power	Power Input (Nominal)	Cooling	W	47	50	55
		Heating	W	47	50	55
	Current Input (Nominal)	Cooling	A	0.24	0.26	0.29
	Heating	A	0.24	0.26	0.29	
Heat Exchanger	Type	-	Fin & tube	Fin & tube	Fin & tube	
Fan	Type	-	Crossflow fan	Crossflow fan	Crossflow fan	
	Number of Fans	-	1	1	1	
Fan Motor	Airflow Rate	H.M./L	m ³ /min	6.8/5.8/4.9	7.8/6.8/4.9	14.6/12.6/10.7
	Type	-	AC	AC	BLDC	
Water	Output (h)	W	12.3	12.1	54.1	
	Water/Flow Rate	Cooling	l/min	35	9.6	11.9
	Heating	l/min	8.4	9.7	14.4	
	Pressure Drop	Cooling	kPa	23.0	34.5	45.0
	Heating	kPa	28.0	35.8	64.6	
Piping Connections	Water Pipe (In)	Type	PF MALE	PF MALE	PF MALE	
		φ, mm (Inch)	20A (3/4)	20A (3/4)	20A (3/4)	
	Drain Pipe (OUT)	Type	PF MALE	PF MALE	PF MALE	
	φ, mm (Inch)	20A (3/4)	20A (3/4)	20A (3/4)		
	Heat Insulation	-	Both inlet/outlet pipes	Both inlet/outlet pipes	Both inlet/outlet pipes	
Sound	Drain Pipe	φ, mm	VP20 (OD 26, ID 20)	VP20 (OD 26, ID 20)	VP20 (OD 26, ID 20)	
	Sound Pressure	dB(A)	30/30/28	31/31/28	40/37/33	
	Sound Power	dB(A)	49	52	58	
Dimensions	Net Weight	kg	10.5	10.5	14.0	
	Net Dimension (W x H x D)	mm	970 x 155 x 410	970 x 155 x 410	1,200 x 158 x 450	
Casing	Material	-	Plastic	Plastic	Plastic	
Panel	Panel Material	-	PC/ABS/PMMA	PC/ABS/PMMA	PC/ABS/PMMA	
Accessories	Drain Pipe	Type	Built-in	Built-in	Built-in	
	Max. Lifting Height/Displacement	mm/ft/c	750/400	750/400	750/400	
	3-Way Valve Kit (Optional)	-	ACL-4A013	ACL-4A013	ACL-4A013	
	Filter	-	Microfibrous filter	Microfibrous filter	Microfibrous filter	

Accessories



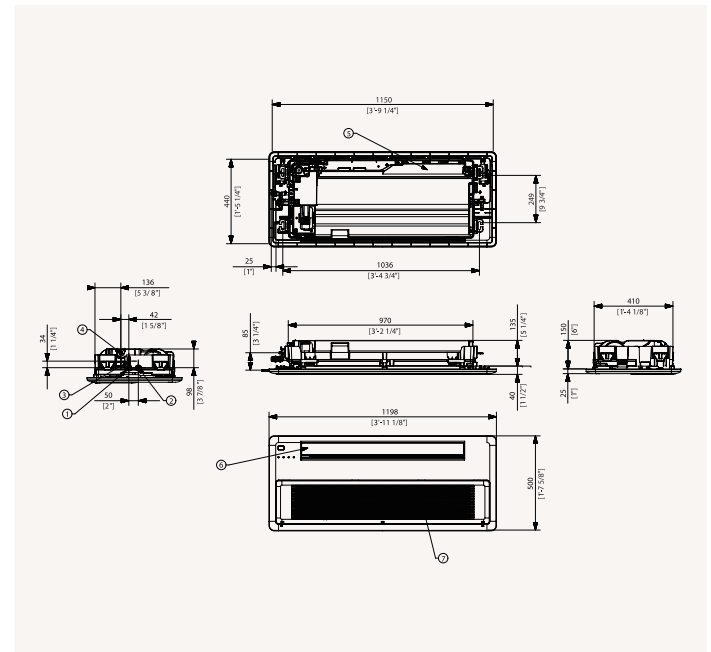
Panel (Optional)	Panel (Optional)	FCU Interface Module	FCU Kit	Wireless Remote Controller	Simple Type Controller	Touch Controller	Wireless Remote Controller	Wireless Remote Controller
PCBWSM4n	PC11USM4n	MIM-F10n	MIM-F00n	AR-DR05E	MWR-6400n	MWR-6411n	MWR-WE13n	MWR-WE601n

Cooling: Indoor temperature 27 °C DB, 19 °C WB/Water In/Out temperature 7 °C, 12 °C Heating: Indoor temperature 20 °C DB, 15 °C WB/Water In/Out temperature 45 °C, 40 °C. Sound level was acquired in an anechoic room. Thus actual noise level may be different depending on the installation conditions. Specifications may be subject to change without prior notice. Select wire size based on the MCA value.

Dimensional drawings

1-Way Cassette FCU

AG03M11D/EV/ES

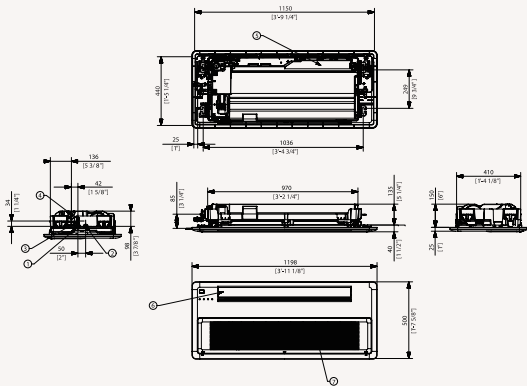


NO	Symbol	Description
1		Water pipe connection port
2		Water pipe connection port
3		Air outlet size
4		Drain hose
5		Power supply communication wiring conduit
6		Air discharge port
7		Air discharge port

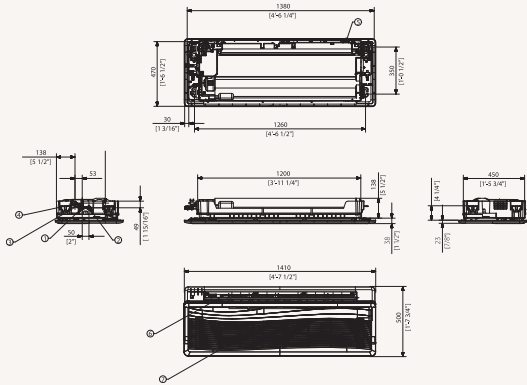
Dimensional drawings

1-Way Cassette FCU

AG02L102MH100H1EU



AG042MH100H1EU



Specifications

4-Way Cassette FCU

- Four-way air supply via independently adjustable blades.
- Direct drive fan powered by a BLDC motor.
- Built-in condensation drain pump.
- 3-Way valve kit (optional).
- Compatible with Wi-Fi Kit controller.
- Motion Detect Sensor (optional).



Model		AG090M4DKH/EU	AG072M4DKH/EU	AG099M4DKH/EU	AG18M4DKH/EU
Power Supply	Φ, V, Hz	10, 220-240 V, 50/60 Hz	10, 220-240 V, 50/60 Hz	10, 220-240 V, 50/60 Hz	10, 220-240 V, 50/60 Hz
Mode	HP	HP	HP	HP	HP
	HP	HP	HP	HP	HP
Performance	Cooling Capacity (Nominal)	4.0	2.2	9.0	10.0
	Heating Capacity (Nominal)	4.0	2.2	9.0	10.0
Power	Power Input (Nominal)	W	50	73	82
	Heating Power Input (Nominal)	W	50	73	82
	Current Input (Nominal)	A	0.37	0.50	0.58
Fan	Type	FF	FF	FF	FF
	Number of Fans	1	1	1	1
Fan Motor	Type	BLDC	BLDC	BLDC	BLDC
	Speed	rpm	45 x1	45 x1	45 x1
Water	Water Flow Rate	l/min	125	20.8	26.0
	Pressure Drop	kPa	27.0	36.0	46.8
	Pressure Drop	kPa	37.5	48.6	56.3
Piping Connections	Water Inlet	Type	PP MALE	PP MALE	PP MALE
	Water Outlet	Type	PP MALE	PP MALE	PP MALE
Sizing	Water Inlet	Ø, mm (Inch)	20A (3/4)	20A (3/4)	20A (3/4)
	Water Outlet	Ø, mm (Inch)	20A (3/4)	20A (3/4)	20A (3/4)
Dimensions	Weight	kg	15.5	15.5	18.0
	Net Dimensions (W x H x D)	mm	840 x 204 x 840	840 x 204 x 840	840 x 246 x 840
Panel	Panel Material	-	PCABS/PCAN	PCABS/PCAN	PCABS/PCAN
	Panel Color	-	White	White	White
Accessories	Drain Pump	Type	Built-in	Built-in	Built-in
	Max. Lifting Height / Displacement	mm/ft	750/400	750/400	750/400
3-Way Valve Kit (Optional)	Filter	-	ACL-AG0V3	ACL-AG0V3	ACL-AG0V3
	Filter	-	Microfibrous filter	Microfibrous filter	Microfibrous filter

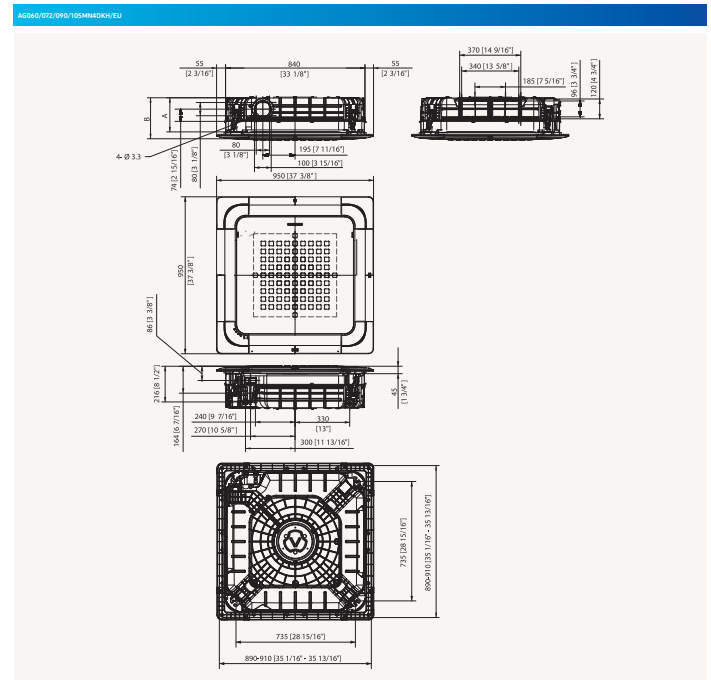
Accessories



Cooling: Indoor temperature 27 °C DB, 19 °C WB/Water In/Out temperature 7 °C, 12 °C Heating: Indoor temperature 20 °C DB, 15 °C WB/Water In/Out temperature 45 °C, 40 °C. Sound level was acquired in an anechoic room. Thus actual noise level may be different depending on the installation conditions. Specifications may be subject to change without prior notice. Select wire size based on the MCA value.

Dimensional drawings

4-Way Cassette FCU



Pos.	Name	Description
Model	AG090M4DKH/EU	AG099M4DKH/EU
	AG072M4DKH/EU	AG18M4DKH/EU
A	204 (8 1/8")	246 (9 11/16")
A	253 (9 15/16")	295 (11 5/8")
Pipe connection	205	289
Drain pipe connection		VP25 (OD 32, ID 25)

Specifications

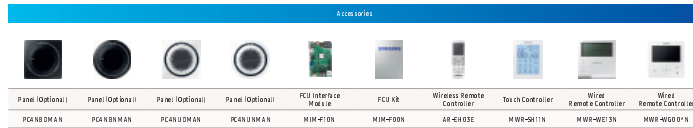
360 Cassette FCU

- 360 degree air supply.
- Bladeless discharge. Booster fans can be individually controlled, allowing for complete horizontal flow discharge. Coanda effect is created even without ceiling.
- 5-Way valve kit (optional).

- Built-in condensation drain pump.
- Pre-disposition of the air inlet to let fresh air in.
- Compatible with Wi-Fi IoT controller.
- Circular or square cassette panel.



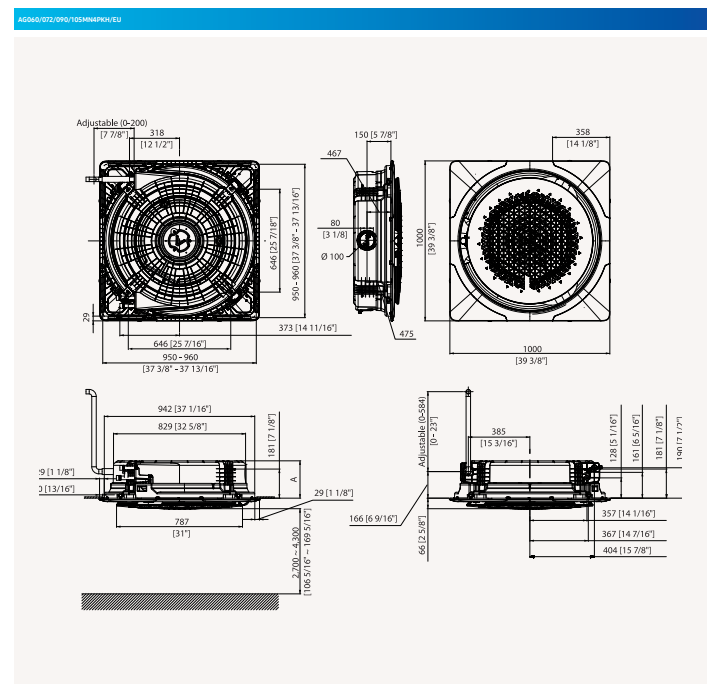
Model:		AG06M4PKX/EU	AG07M4PKX/EU	AG08M4PKX/EU	AG09M4PKX/EU	
Power Supply	Φ, V, Hz	10, 220-240 V, 50/60 Hz	10, 220-240 V, 50/60 Hz	10, 220-240 V, 50/60 Hz	10, 220-240 V, 50/60 Hz	
Mode		HP	HP	HP	HP	
	Performance	Cooling Capacity (Nominal)	Cooling kW	6.0	7.2	9.0
Power	Power Input (Nominal)	Cooling W	7.3	8.5	10.0	10.7
	Current Input (Nominal)	Cooling A	5.8	5.8	7.7	10.0
Heat Exchanger	Type	Fin & tube	Fin & tube	Fin & tube	Fin & tube	
	Type	Turbo Fan	Turbo Fan	Turbo Fan	Turbo Fan	
Fan Motor	Number of Fans	1	1	1	1	
	Airflow Rate	m ³ /min	21.0/17.5/15.0	25.5/22.0/19.8	29.5/24.0/19.8	33.5/25.5/19.8
Water	Water Pressure	Cooling	19.5	20.8	26.0	28.9
	Water Flow Rate	l/min	213	245.5	289	329
Piping Connections	Water Pressure	Cooling	27.0	26.0	38.5	47.4
	Water Pressure	Heating	37.6	35.6	47.4	53.2
Sizing	Water Pressure	Heating	37.6	35.6	47.4	53.2
	Water Pressure	Heating	37.6	35.6	47.4	53.2
Dimensions	Net Dimensions (W x H x D)	mm	947 x 281 x 947	947 x 345 x 947	947 x 365 x 947	947 x 365 x 947
	Panel Material		PCAN/D/MA	PCAN/D/MA	PCAN/D/MA	PCAN/D/MA
Accessories	Drain Pump	Type	Built-in	Built-in	Built-in	Built-in
	Max. Lifting Height / Displacement	mm / cc / ml	750/400	750/400	750/400	750/400
Filter		ACL-A60V3	ACL-A60V3	ACL-A60V3	ACL-A60V3	
		Microfibrous filter	Microfibrous filter	Microfibrous filter	Microfibrous filter	



Cooling: Indoor temperature 27 °C DB, 19 °C WB/Water In/Out temperature 7 °C, 12 °C Heating: Indoor temperature 20 °C DB, 15 °C WB/Water In/Out temperature 45 °C, 40 °C. Sound level was acquired in an anechoic room. Thus actual noise level may be different depending on the installation conditions. Specifications may be subject to change without prior notice. Select wire size based on the MCA value.

Dimensional drawings

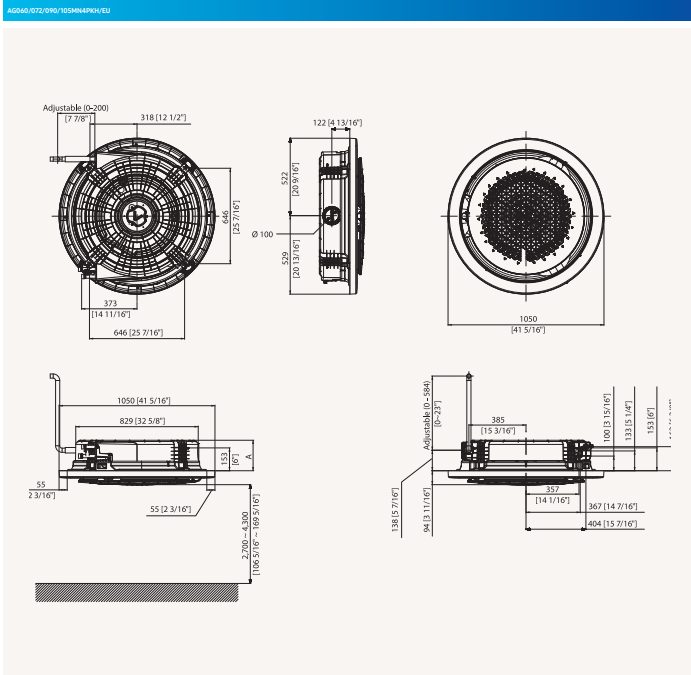
360 Cassette FCU



Pos.	A Type	B Type
Model	AG06M4PKX/EU	AG07M4PKX/EU
	AG08M4PKX/EU	AG09M4PKX/EU
A	233 (9 5/16)	377 (12 1/2)
Pipe connection	PF 3/4 Male	
Drain pipe connection		VP25 IDO 32, ID 25

Dimensional drawings

360 Cassette FCU



Pos.	A Type	B Type
Model:	AG06072M4PKH/EU	AG072M4PKH/EU
		AG070M4PKH/EU
		AG05M4PKH/EU
A	205	289
Pipe connection		PF 3/4 Male
Drain pipe connection		VP25 (D0 32, ID 25)



Specifications

Concealed FCU

- Plug & play solution in combination with HVM Chiller.
- Optional vertical or horizontal installation.
- 3-Way valve kit included as standard.



Model:		ACL-40 F	ACL-50 F	ACL-60 F
Power Supply	Φ, V, Hz	10, 220-240 V, 50/60 Hz	10, 220-240 V, 50/60 Hz	10, 220-240 V, 50/60 Hz
Mode		HP	HP	HP
Performance	Capacity (Nominal)	Cooling kW/HP	2.87/2.34/1.75	4.24/3.20/2.47
	Heating kW/HP	2.15/1.81/1.50	2.91/2.35/1.75	4.24/3.24/2.47
Power	Power Input (Nominal)	Cooling kW/HP	53/56/24	56/45/29
	Heating kW/HP	W	53/56/24	56/45/29
	Circuit Input (Nominal)	Cooling A	0.26	0.28
	Heating A	0.26	0.28	
Heat Exchanger	Type	Fin & Tube	Fin & Tube	Fin & Tube
	Type	Double suction centrifugal fan	Double suction centrifugal fan	Double suction centrifugal fan
Fan	Type	2	2	1
	Airflow Rate	m ³ /min	5.7/4.5/3.5	7.6/5.7/4.0
Fan Motor	Type	3-step AC	3-step AC	3-step AC
	Output	W	53/56/24	56/45/29
Water	Water Flow Rate	Cooling l/min	5.6	8.4
	Heating l/min	6.2	8.4	12.4
Pressure Drop	Cooling kPa	17	24	35
	Heating kPa	20	24	35
Piping Connections	Link Pipe (In)	Type	Female	Female
	Dimension	a, mm (inch)	1/2	1/2
	Link Pipe (Out)	Type	Female	Female
	Dimension	a, mm (inch)	1/2	1/2
Sound	Sound Pressure (B) A	42/56/32	40/54/28	45/35/27
	Sound Power (B) A	50/44/40	48/42/36	53/43/35
Dimensions	Net Weight	kg	38.0	23.0
	Net Dimensions (W x H x D)	mm	725 x 224 x 535	935 x 224 x 535
Casing	Material	-	-	-
Panel	Material	-	-	-
Accessories	Drain Pump	Type	optional	ACL-ADP
	Max. Lifting Height/Displacement	mm (ft)	750/133	750/133
	Heating Coil	4-way	optional	ACL-ADSHC
	3-Way Valve	4-way	optional	ACL-ADSV3
	4-Way Valve	Vertical	optional	ACL-ADV
	Drain Pan	Horizontal	optional	ACL-ADH
	Filter		Polypropylene washable	Polypropylene washable

ACL-40 F	ACL-60 F
10, 220-240 V, 50/60 Hz	10, 220-240 V, 50/60 Hz
HP	HP
779/5.69/4.32	778/6.07/4.00
779/5.69/4.32	8.376/5.514/3.9
182/127/86	244/169/109
182/127/86	244/169/109
0.90	1.20
0.90	1.20
Fin & Tube	Fin & Tube
Double suction centrifugal fan	Double suction centrifugal fan
2	1
16.8/12.8/9.5	23.2/17.0/10.7
3-step AC	3-step AC
182/127/86	244/169/109
211	22.9
20.2	24.2
39	42
35	47
Female	Female
3/4	3/4
Female	Female
3/4	3/4
53/44/39	59/52/41
61/54/47	67/60/49
38.0	23.0
725 x 224 x 535	935 x 224 x 535
-	-
-	-
ACL-ADP	ACL-ADP
750/133	750/133
ACL-ADSHC	ACL-ADSHC
ACL-ADSV3	ACL-ADSV3
ACL-ADV	ACL-ADV
ACL-ADH	ACL-ADH
Polypropylene washable	Polypropylene washable

Accessories

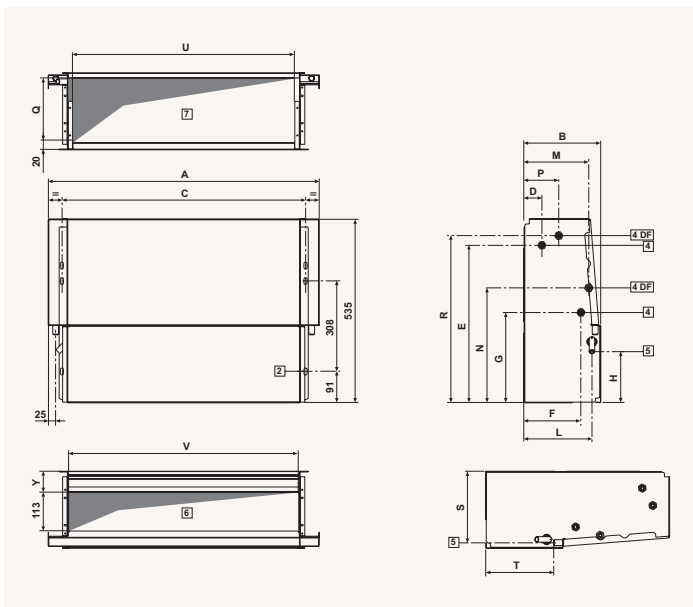


Cooling: Indoor temperature 27 °C DB, 19 °C WB/Water In/Out temperature 7 °C, 12 °C Heating: Indoor temperature 20 °C DB, 15 °C WB/Water In/Out temperature 45 °C, 40 °C. Sound level was acquired in an anechoic room. This actual noise level may be different depending on the installation conditions. Specifications may be subject to change without prior notice. Select wire size based on the MCA value.

Dimensional drawings

Concealed FCU

ACL-10P



N.O	Name	Description
1	Water pipe connection out	PP Male 3/4 (20A)
2	Water pipe connection in	PP Male 3/4 (20A)
3	Air seal gasket	
4	Drain hose	VP25 (OD 32, ID 25)
5	Power supply/Communication wiring conduits	
6	Air discharge part	
7	Air suction part	

MODEL	A	B	C	H	L	S	T	Y
ACL-40H	184	224	498	149	198	208	198	61
ACL-45D4	284	224	708	149	198	208	198	61
ACL-45D4	1004	224	938	149	198	208	198	61
ACL-45D4	1214	249	1128	155	220	234	208	67
ACL-45D4	1214	249	1128	155	220	234	208	67



Specifications

Cased FCU

- Plug & play solution in combination with VVM Chiller.
- Optional vertical or horizontal installation.
- 3-Way valve kit included as standard.



Model		ACL-C405	ACL-C410G	ACL-C415 G		
Power Supply	Φ, V, Hz	10, 220-240 V, 50/60 Hz	10, 220-240 V, 50/60 Hz	10, 220-240 V, 50/60 Hz		
Make		HP	HP	HP		
Performance	Capacity (Nominal)	Cooling kW/HP	1.91/1.66/1.34	2.87/2.34/1.75	4.24/3.20/2.47	
		Heating kW/HP	2.15/1.81/1.50	2.91/2.35/1.75	4.24/3.24/2.47	
		Power Input (Nominal)	Cooling W	53/56/24	56/43/29	90/50/40
Power		Heating W	53/56/24	56/43/29	90/50/40	
	Circuit Input (Nominal)	Cooling	A	0.26	0.28	0.45
		Heating	A	0.26	0.28	0.45
Heat Exchanger	Type	-	Fin & tube	Fin & tube	Fin & tube	
	Type	-	Double suction centrifugal fan	Double suction centrifugal fan	Double suction centrifugal fan	
	Number of Fans	-	2	2	1	
Fan Motor	Airflow Rate	H/N/A	m ³ /min	5.7/4.5/3.5	7.6/5.7/4.0	11.7/8.3/6.0
	Type	-	3-step AC	3-step AC	3-step AC	
Water	Water Flow Rate	Cooling	l/min	5.6	8.4	12.4
		Heating	l/min	6.2	8.4	12.4
	Pressure Drop	Cooling	kPa	17	24	35
	Heating	kPa	20	24	35	
Piping Connections	Liquid Pipe (In)	Type	-	Female	Female	Female
		Dimension	a, mm (inch)	1/2	1/2	1/2
	Liquid Pipe (Out)	Type	-	Female	Female	Female
		Dimension	a, mm (inch)	1/2	1/2	1/2
	Heat Installation	Type	-	-	-	-
		Dimension	a, mm	-	-	-
Solenoid	Solenoid Pressure	l/H/N/L/U	(Bar)	42/56/32	40/54/28	45/35/27
	Solenoid Power	l/H/N/L/U	(VA)	50/44/40	48/42/36	53/43/35
Dimensions	Net Weight	kg	22.0	29.0	33.0	
	Net Dimensions (W x H x D)	mm	774x554x226	984x554x226	1394x554x226	
Casing	Material	-	-	-	-	
Panel	Material	-	-	-	-	
Add Ons / Accessories	Drain Pump	Type	optional	ACL-ADP	ACL-ADP	ACL-ADP
		Max. Lifting Height / Displacement	mm / l/c (min)	750/133	750/133	750/133
	Heating Coil	Type	optional	ACL-ADSHC	ACL-ADSHC	ACL-ADSHC
		3-Way Valve	Type	optional	ACL-ADSV3	ACL-ADSV3
	Auxiliary Drain Pan	Vertical	optional	ACL-ADH	ACL-ADH	ACL-ADH
		Horizontal	optional	ACL-ADH	ACL-ADH	ACL-ADH
	Filter			Polypropylene washable	Polypropylene washable	Polypropylene washable

Model		ACL-C415 G	ACL-C415 G		
Power Supply	Φ, V, Hz	10, 220-240 V, 50/60 Hz	10, 220-240 V, 50/60 Hz		
Make		HP	HP		
Performance	Capacity (Nominal)	Cooling kW/HP	7.79/5.69/4.32	7.78/6.07/4.00	
		Heating kW/HP	7.79/5.69/4.32	8.37/6.53/4.39	
		Power Input (Nominal)	Cooling W	182/121/86	244/169/109
Power		Heating W	182/121/86	244/169/109	
	Circuit Input (Nominal)	Cooling	A	0.90	1.20
		Heating	A	0.90	1.20
Heat Exchanger	Type	-	Fin & tube	Fin & tube	
	Type	-	Double suction centrifugal fan	Double suction centrifugal fan	
	Number of Fans	-	2	1	
Fan Motor	Airflow Rate	H/N/A	m ³ /min	16.8/12.8/9.5	23.2/17.0/10.7
	Type	-	3-step AC	3-step AC	
Water	Water Flow Rate	Cooling	l/min	21.1	22.9
		Heating	l/min	20.2	24.2
	Pressure Drop	Cooling	kPa	39	42
	Heating	kPa	35	47	
Piping Connections	Liquid Pipe (In)	Type	-	Female	Female
		Dimension	a, mm (inch)	3/4	3/4
	Liquid Pipe (Out)	Type	-	Female	Female
		Dimension	a, mm (inch)	3/4	3/4
	Heat Installation	Type	-	-	-
		Dimension	a, mm	-	-
Solenoid	Solenoid Pressure	l/H/N/L/U	(Bar)	53/44/39	59/52/41
	Solenoid Power	l/H/N/L/U	(VA)	615/417	67/60/49
Dimensions	Net Weight	kg	45.0	45.0	
	Net Dimensions (W x H x D)	mm	1,404x664x251	1,404x564x251	
Casing	Material	-	-	-	
Panel	Material	-	-	-	
Add Ons / Accessories	Drain Pump	Type	optional	ACL-ADP	ACL-ADP
		Max. Lifting Height / Displacement	mm / l/c (min)	750/133	750/133
	Heating Coil	Type	optional	ACL-ADSHC	ACL-ADSHC
		3-Way Valve	Type	optional	ACL-ADSV3
	Auxiliary Drain Pan	Vertical	optional	ACL-ADH	ACL-ADH
		Horizontal	optional	ACL-ADH	ACL-ADH
	Filter			Polypropylene washable	Polypropylene washable

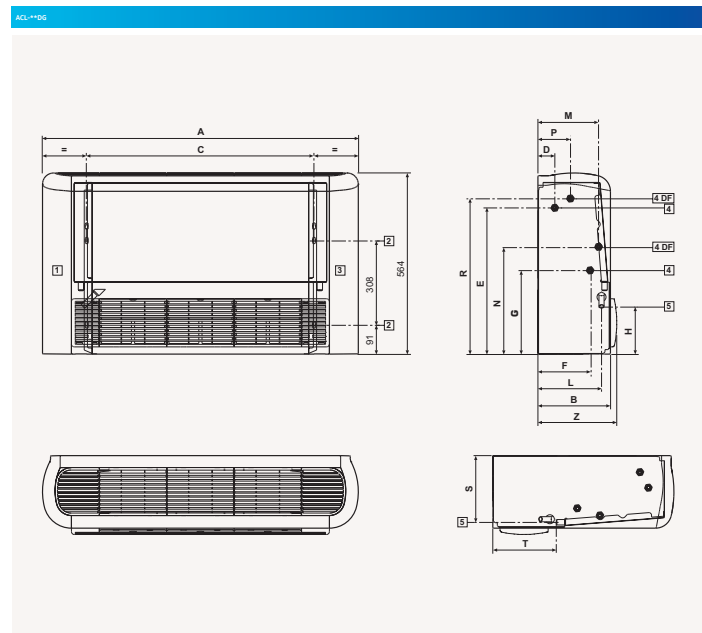
Accessories



Cooling: Indoor temperature 27 °C DB, 19 °C WB/Water In/Out temperature 7 °C, 12 °C Heating: Indoor temperature 20 °C DB, 15 °C WB/Water In/Out temperature 45 °C, 40 °C.
 Sound level was acquired in an anechoic room. Thus actual noise level may be different depending on the installation conditions.
 Specifications may be subject to change without prior notice.
 Select wire size based on the MCA value.

Dimensional drawings

Cased FCU



N.O	Name	Description
1	Water pipe connection out	PP Male 3/4 (20A)
2	Water pipe connection in	PP Male 3/4 (20A)
3	Air vent valve	
4	Drain hose	VP25 (OD 32, ID 25)
5	Power supply/Communication cable	
6	Air filter support	
7	Air suction part	

Model	A	B	C	H	L	S	T	Z
ACL-H06	724	226	498	149	198	208	198	246
ACL-H10G	988	226	708	149	198	208	198	246
ACL-H15G	1194	226	938	149	198	208	198	246
ACL-H20G	1404	251	1128	155	220	234	208	271
ACL-H25G	1404	251	1128	155	220	234	208	271

