

Mono



Specifications

ClimateHub Mono R32 A+++

- Integrated solution for heating and domestic hot water
- Compact unit size with large water tank (200L & 260L)
- Intuitive, colour screen touch controller in multiple languages
- Energy monitoring through touch controller
- Smooth servicing through the front-mounted service window
- PV and Smart Grid ready
- 2-zone control, suitable for floor heating and radiators
- SCOP rating of A+++
- SmartThings compatible with optional Wi-Fi Kit
- Backup heater is included to ensure continuous heating



| | | Indoor Unit Outdoor Unit Controller | | AE20DRNWMGG/EU AE05DRXYDEG/EU MWR-WW10N | AE20DRNWMGG/EU AE08DRXYDEG/EU MWR-WW10N | AE20DRNWMGG/EU AE12DRXYDEG/EU MWR-WW10N | |
|-------------------------------|--|--|--|---|---|---|------------------|
| System | Operation | Nominal Capacity | Heating A7/W35 ¹ / A7/W55 ² | W | 5.000/4.300 | 8.000/7.100 | 12.000/11.300 |
| | | | Cooling A35/W18 ¹ | W | 5.000 | 7.500 | 12.000 |
| | Power Input (Nominal) | Heating A7/W35 ¹ / A7/W55 ² | W | 1.030/1.520 | 1.770/2.530 | 2.650/3.730 | |
| | | Cooling A35/W18 ¹ | W | 1.140 | 1.900 | 2.770 | |
| | COP (Nominal Heating) A7/W35 ¹ / A7/W55 ² | W/W | 4,85/2,85 | 4,52/2,81 | 4,53/3,03 | | |
| | EER (Nominal Cooling) A35/W18 ¹ | W/W | 4,39 | 3,95 | 4,33 | | |
| | SCOP LWT 35°C/ 55°C | W/W | 4,46/3,2 | 4,44/3,23 | 4,69/3,51 | | |
| | Average Seasonal Space Heating Eff. Class ¹ LWT 35°C/ 55°C | - | A+++/A++ | A+++/A++ | A+++/A++ | | |
| | Current | MCA | A | 16,00 | 22,00 | 28,90 | |
| | | MFA | A | 20,00 | 27,50 | 35,00 | |
| | Water Flow Rate | Min | L/min | 700 | 700 | 12,00 | |
| | | Max | L/min | 48,00 | 48,00 | 58,00 | |
| | Leaving Water Temperature ³ | Heating | °C | 15-65 | 15-65 | 15-65 | |
| | | Cooling | °C | 5-25 | 5-25 | 5-25 | |
| Functions | Smart Grid Ready | - | • | • | • | | |
| | PV Enabled | - | • | • | • | | |
| | 2-Zone Control | - | • | • | • | | |
| Tank Integrated Hydro Unit | Power Supply | Ø, #, V, Hz | 1Ø, 2, 220-240V, 50Hz | 1Ø, 2, 220-240V, 50Hz | 1Ø, 2, 220-240V, 50Hz | | |
| | Water Tank Volume | litres | 200 | 200 | 200 | | |
| | Declared Load Profile | L/XL | L | L | L | | |
| | Energy Efficiency Class | - | A | A | A | | |
| | Sound | Sound Pressure ⁴ | Heating/ Cooling Std | dB(A) | 26 | 26 | 30 |
| | | Sound Power | Heating Std | dB(A) | 40 | 40 | 44 |
| | Dimensions | Net Weight | kg | 130,0 | 130,0 | 130,0 | |
| | | Net Dimensions (WxHxD) | mm | 595x1800x700 | 595x1800x700 | 595x1800x700 | |
| | Outdoor Unit | Power Supply | Ø, V, Hz | 1Ø, 220-240V, 50Hz | 1Ø, 220-240V, 50Hz | 1Ø, 220-240V, 50Hz | |
| | | Compressor | Type | - | BLDC Twin Rotary | BLDC Twin Rotary | BLDC Twin Rotary |
| Base Heater | Sound | Heating Std | dB(A) | 45 | 48 | 50 | |
| | Pressure ⁴ | Cooling Std | dB(A) | 45 | 48 | 50 | |
| Sound | Heating Std | dB(A) | 61 | 63 | 64 | | |
| | Cooling Std | dB(A) | 62 | 64 | 65 | | |
| Dimensions | Net Weight | kg | 58,5 | 76,0 | 110,0 | | |
| | Net Dimensions (WxHxD) | mm | 880 x 798 x 310 | 940 x 998 x 330 | 940 x 1.420 x 330 | | |
| Refrigerant | Type | - | R32 | R32 | R32 | | |
| | Factory Charging | kg | 0,68 | 0,78 | 1,49 | | |
| Piping | Water Pipe (Space Heating) | Inlet/ Outlet | Ø, mm | 28/28 | 28/28 | 28/28 | |
| | Water pipe (DHW) | Inlet/ Outlet | Ø, mm | 22/22 | 22/22 | 22/22 | |
| Operation | Ambient Temperature | Heating | °C | -25-35 | -25-35 | -25-35 | |
| | | Cooling | °C | 10-46 | 10-46 | 10-46 | |
| | | DHW | °C | -25-43 | -25-43 | -25-43 | |

Accessories



| Touch Controller | Wi-Fi Kit | External Thermostat | Backup Heater (4/6kW) |
|------------------|-----------|---------------------|-----------------------|
| MWR-WW10N | MM-H04EN | MRW-TA | MHG-00FE |



| AE20DRNWMGG/EU AE16DRXYDEG/EU MWR-WW10N | AE26DRNWMGG/EU AE08DRXYDEG/EU MWR-WW10N | AE26DRNWMGG/EU AE12DRXYDEG/EU MWR-WW10N | AE26DRNWMGG/EU AE16DRXYDEG/EU MWR-WW10N |
|---|---|---|---|
| 16.000/15.000 | 8.000/7.100 | 12.000/11.300 | 16.000/15.000 |
| 14.000 | 7.500 | 12.000 | 14.000 |
| 3.620/5.180 | 1.770/2.530 | 2.650/3.730 | 3.620/5.180 |
| 3.280 | 1.900 | 2.770 | 3.280 |
| 4,42/2,90 | 4,52/2,81 | 4,53/3,03 | 4,42/2,90 |
| 4,27 | 3,95 | 4,33 | 4,27 |
| 4,48/3,53 | 4,44/3,23 | 4,69/3,51 | 4,48/3,53 |
| A+++/A++ | A+++/A++ | A+++/A++ | A+++/A++ |
| 32,00 | 10,00 | 10,00 | 12,00 |
| 40,00 | 16,10 | 16,10 | 16,10 |
| 12,00 | 7,00 | 12,00 | 12,00 |
| 58,00 | 48,00 | 58,00 | 58,00 |
| 15-65 | 15-65 | 15-65 | 15-65 |
| 5-25 | 5-25 | 5-25 | 5-25 |
| • | • | • | • |
| • | • | • | • |
| • | • | • | • |
| 1Ø,2,220-240,50Hz | 3Ø,4,380-415,50Hz | 3Ø,4,380-415,50Hz | 3Ø,4,380-415,50Hz |
| 200 | 260 | 260 | 260 |
| L | XL | XL | XL |
| A | A | A | A |
| 30 | 26 | 30 | 30 |
| 44 | 40 | 44 | 44 |
| 130,0 | 140,0 | 140,0 | 140,0 |
| 595x1800x700 | 595x1800x700 | 595x1800x700 | 595x1800x700 |
| 1Ø, 220-240V, 50Hz | 3Ø, 380-415V, 50Hz | 3Ø, 380-415V, 50Hz | 3Ø, 380-415V, 50Hz |
| BLDC Twin Rotary | BLDC Twin Rotary | BLDC Twin Rotary | BLDC Twin Rotary |
| • | • | • | • |
| 52 | 48 | 50 | 52 |
| 54 | 48 | 50 | 54 |
| 66 | 63 | 64 | 66 |
| 68 | 64 | 65 | 68 |
| 110,0 | 75,0 | 111,0 | 111,0 |
| 940 x 1.420 x 330 | 940 x 998 x 330 | 940 x 1.420 x 330 | 940 x 1.420 x 330 |
| R32 | R32 | R32 | R32 |
| 1,49 | 0,78 | 1,49 | 1,49 |
| 2,20 | 1,15 | 2,20 | 2,20 |
| 28/28 | 28/28 | 28/28 | 28/28 |
| 22/22 | 22/22 | 22/22 | 22/22 |
| -25-35 | -25-35 | -25-35 | -25-35 |
| 10-46 | 10-46 | 10-46 | 10-46 |
| -25-43 | -25-43 | -25-43 | -25-43 |



¹A+++ energy label is available according to EU No 811/2013 label classification 2019, on a scale from D to A+++

²A2W Condition : (Heating) Water In/Out 30°C/35°C, Outdoor Air 7°C(Db)/6°C(Wb); (Cooling) Water In/Out 23°C/18°C, Outdoor Air 35°C(Db)

³A2W Condition : (Heating) Water In/Out 47°C/55°C, Outdoor Air 7°C(Db)/6°C(Wb)

⁴55°C down to +10°C (max. 60°C down to -5°C)

⁵Sound pressure level is obtained in an anechoic room. Sound pressure level is a relative value, depending on the distance and acoustic environment. Sound pressure level may differ depending on operation conditions.

Specifications

Mono **R32**

- Intuitive, colour screen touch controller in multiple languages
- Energy monitoring through touch controller
- 2-zone control, suitable for floor heating and radiators
- SmartThings compatible with optional Wi-Fi Kit



| | | Outdoor Unit Control Kit | | AE050RXYDEG/EU MM-E03CN | AE080RXYDEG/EU MM-E03CN | AE120RXYDEG/EU MM-E03CN | |
|--------------|--|--|------------------------------|----------------------------|----------------------------|----------------------------|--------|
| System | Operation | Nominal Capacity | Heating A7/W35 ¹ | W | 5,000 | 8,000 | 12,000 |
| | | | Cooling A35/W18 ¹ | W | 5,000 | 7,500 | 12,000 |
| | | Power Input (Nominal) | Heating A7/W35 ¹ | W | 1,030 | 1,770 | 2,650 |
| | | | Cooling A35/W18 ¹ | W | 1,140 | 1,900 | 2,770 |
| | | COP (Nominal Heating) A7/W35 ¹ | W/W | 4,85 | 4,52 | 4,53 | |
| | | EER (Nominal Cooling) A35/W18 ¹ | W/W | 4,39 | 3,95 | 4,33 | |
| | Leaving Water Temperature ² | Heating | °C | 15-65 | 15-65 | 15-65 | |
| | | Cooling | °C | 5-25 | 5-25 | 5-25 | |
| | | Ambient Temperature | Heating | °C | -25-35 | -25-35 | -25-35 |
| | | Cooling | °C | 10-46 | 10-46 | 10-46 | |
| | | DHW | °C | -25-43 | -25-43 | -25-43 | |
| | Functions | 2-Zone Control ³ | - | • | • | • | |
| Outdoor Unit | Power Supply | Φ, V, Hz | 1Φ, 220-240V, 50Hz | 1Φ, 220-240V, 50Hz | 1Φ, 220-240V, 50Hz | | |
| | Compressor | Type | - | BLDC Twin Rotary | BLDC Twin Rotary | BLDC Twin Rotary | |
| | Base Heater | - | - | • | • | | |
| | Sound | Sound Pressure ⁴ | Heating Std | dB(A) | 45 | 48 | 50 |
| | | | Cooling Std | dB(A) | 45 | 48 | 50 |
| | | Sound Power | Heating Std | dB(A) | 61 | 63 | 64 |
| | | | Cooling Std | dB(A) | 62 | 64 | 65 |
| | Dimensions | Net Weight | kg | 58,5 | 76,0 | 110,0 | |
| | | Net Dimensions (WxHxD) | mm | 880 x 798 x 310 | 940 x 998 x 330 | 940 x 1,420 x 330 | |
| | Refrigerant | Type | - | R32 | R32 | R32 | |
| | | Factory Charging | tCO ₂ e | 0,68 | 0,78 | 1,49 | |
| | | | kg | 1,00 | 1,15 | 2,20 | |

These products contain R32 (GWP=675) which is fluorinated greenhouse gas.



| AE160RXYDEG/EU MM-E03CN | AE080RXYDEG/EU MM-E03CN | AE120RXYDEG/EU MM-E03CN | AE160RXYDEG/EU MM-E03CN |
|----------------------------|----------------------------|----------------------------|----------------------------|
| 16,000 | 8,000 | 12,000 | 16,000 |
| 14,000 | 7,500 | 12,000 | 14,000 |
| 3,620 | 1,770 | 2,650 | 3,620 |
| 3,280 | 1,900 | 2,770 | 3,280 |
| 4,42 | 4,52 | 4,53 | 4,42 |
| 4,27 | 3,95 | 4,33 | 4,27 |
| 15-65 | 15-65 | 15-65 | 15-65 |
| 5-25 | 5-25 | 5-25 | 5-25 |
| -25-35 | -25-35 | -25-35 | -25-35 |
| 10-46 | 10-46 | 10-46 | 10-46 |
| -25-43 | -25-43 | -25-43 | -25-43 |
| • | • | • | • |
| 1Φ, 220-240V, 50Hz | 3Φ, 380-415V, 50Hz | 3Φ, 380-415V, 50Hz | 3Φ, 380-415V, 50Hz |
| BLDC Twin Rotary | BLDC Twin Rotary | BLDC Twin Rotary | BLDC Twin Rotary |
| • | - | • | • |
| 52 | 48 | 50 | 52 |
| 54 | 48 | 50 | 54 |
| 66 | 63 | 64 | 66 |
| 68 | 64 | 65 | 68 |
| 110,0 | 75,0 | 111,0 | 111,0 |
| 940 x 1,420 x 330 | 940 x 998 x 330 | 940 x 1,420 x 330 | 940 x 1,420 x 330 |
| R32 | R32 | R32 | R32 |
| 1,49 | 0,78 | 1,49 | 1,49 |
| 2,20 | 1,15 | 2,20 | 2,20 |

These products contain R32 (GWP=675) which is fluorinated greenhouse gas.



¹A2W Conditions : (Heating) Water In/Out 30°C/35°C, Outdoor Air °C[DB]/6°C[WB]; (Cooling) Water In/Out 23°C/18°C, Outdoor Air 35°C[DB].

²65°C down to +10°C (max. 60°C down to -5°C)

³When combined with external thermostat.

⁴Sound pressure level is obtained in an anechoic room. Sound pressure level is a relative value, depending on the distance and acoustic environment. Sound pressure level may differ depending on operation conditions.

Specifications

Mono Control Kit

- Includes remote controller and flow sensor
- Mounting box with the control printed board assembly
- Leaving and return water sensors
- Domestic Hot Water sensor



| Model | | MM-E03CN |
|--------------------|-------------------------|--------------------------|
| Compatible With | - | EHS R32 Mono ODU |
| Power Supply | Ø, #, V, Hz | 1, 2, 220-240, 50 |
| External Control | Booster Heater | AC 230V (Max 20A) |
| | Back up Heater (Boiler) | AC 230V (Max 10mA) |
| | Water Pump | AC 230V (Max 0.5A) |
| | 2way(or 3way) Valve | AC 230V (Max 22mA) |
| | Room Thermostat | AC 230V (Max 22mA) |
| | Solar Pump | AC 230V (Max 10mA) |
| | Inverter Pump | AC 230V (Max 0.5A) |
| | 3way Mixing Valve | AC 230V (Max 22mA) |
| External Dimension | Net Weight | kg 3.5 (TBD) |
| | Net Dimensions (WxHxD) | mm 290 x 110 x 370 (TBD) |

Wi-Fi Kit



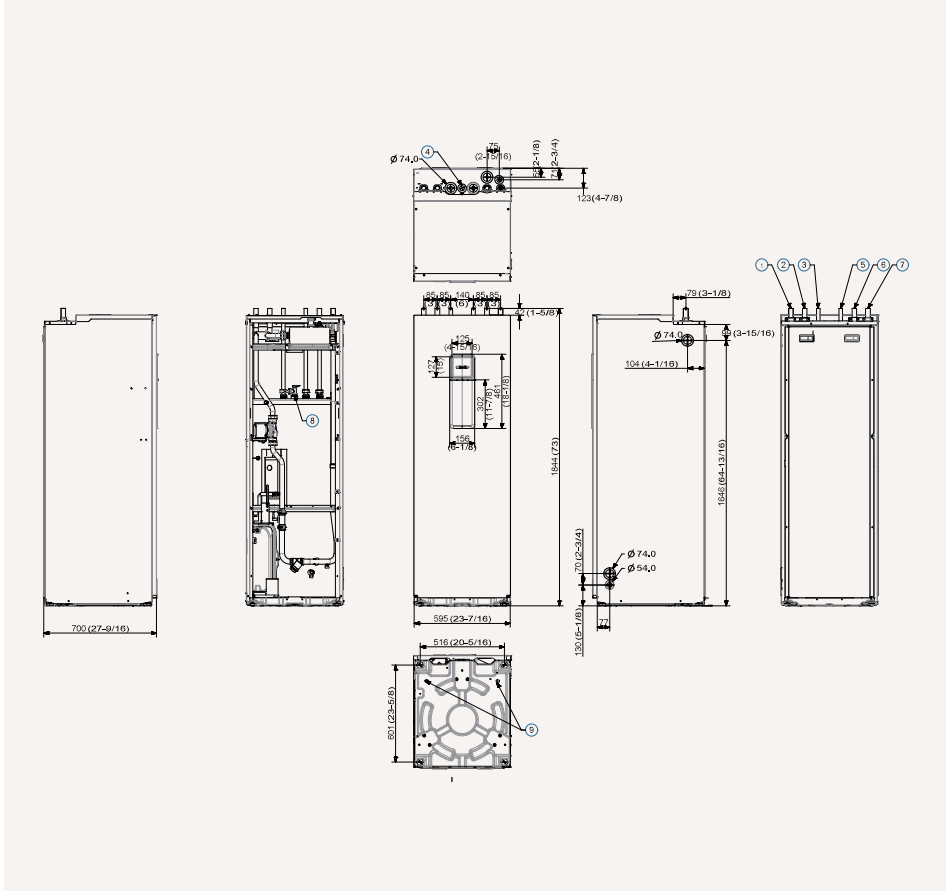
| Model | | MM-H04EN |
|-------------------------|-------------------------|--|
| Fan | Compatible Controller | MWR-WW10N (R32) |
| | Max Connected IDU | 16 |
| | App | SmartThings |
| | Voice recognition | Bixby |
| | Welcome Cooling/Heating | Geofencing |
| | Automation | Customized control with a variety of execution rules |
| | Add scene | Easy control throughout customized user mode |
| | Energy monitoring | Individual power monitoring up to 16 outdoor units. |
| Product Size (mm) WxHxD | 185 x 130 x 29 | |



Dimensional Drawings

Mono Tank Integrated Hydro Unit

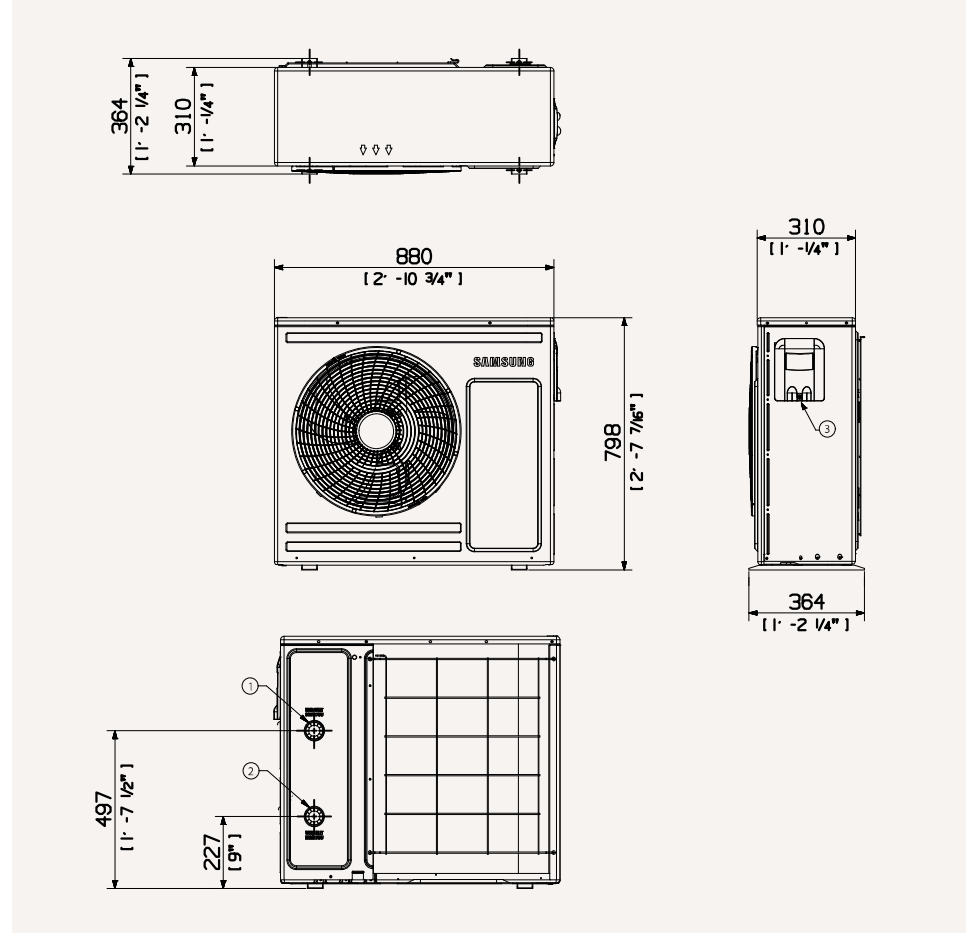
AE200/260RNW**G/EU



| NO | Name | Description | |
|----|------------------------|---|----------------|
| | | AE200RNWSEG/EU | AE260RNW**G/EU |
| 1 | Space heating Inlet | ø28 | ø28 |
| 2 | Space heating Outlet | ø28 | ø28 |
| 3 | DHW Inlet | ø22 | ø22 |
| 4 | Secondary water return | N/A | ø22 |
| 5 | DHW Outlet | ø22 | ø22 |
| 6 | Heat Pump In | ø28 | ø28 |
| 7 | Heat Pump Out | ø28 | ø28 |
| 8 | T/P w/v | Female PT1/2" | Female PT1/2" |
| 9 | Drain Holes | (Option) Connect with the provided drain plug | |

Mono Outdoor

AE050RXYDEG/EU

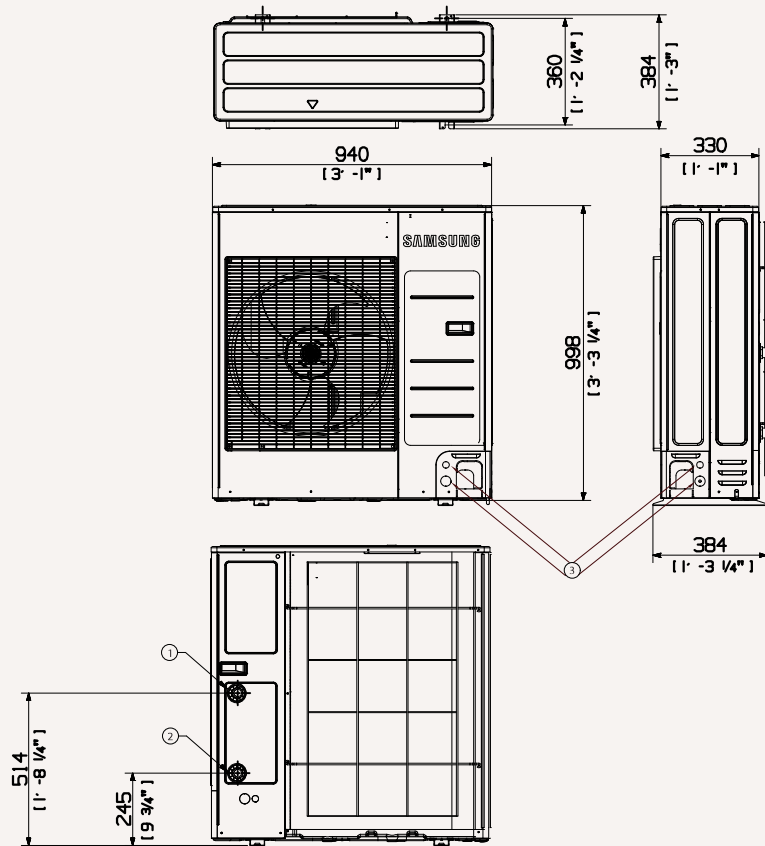


| NO | Name |
|----|--|
| 1 | Water Pipe(Out) |
| 2 | Water Pipe(In) |
| 3 | Power & Communication Wiring Conduit Holes |

Dimensional Drawings

Mono Outdoor

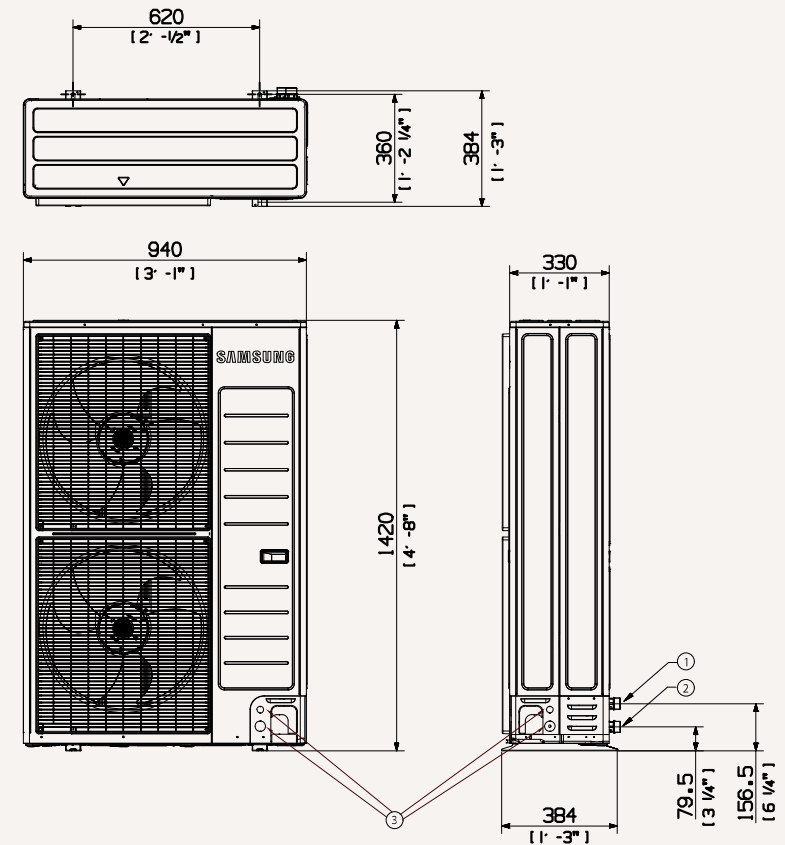
AE080RXD*G/EU



| NO | Name |
|----|--|
| 1 | Water Pipe(Out) |
| 2 | Water Pipe(In) |
| 3 | Power & Communication Wiring Conduit Holes |

Mono Outdoor

AE120/160RXD*G/EU

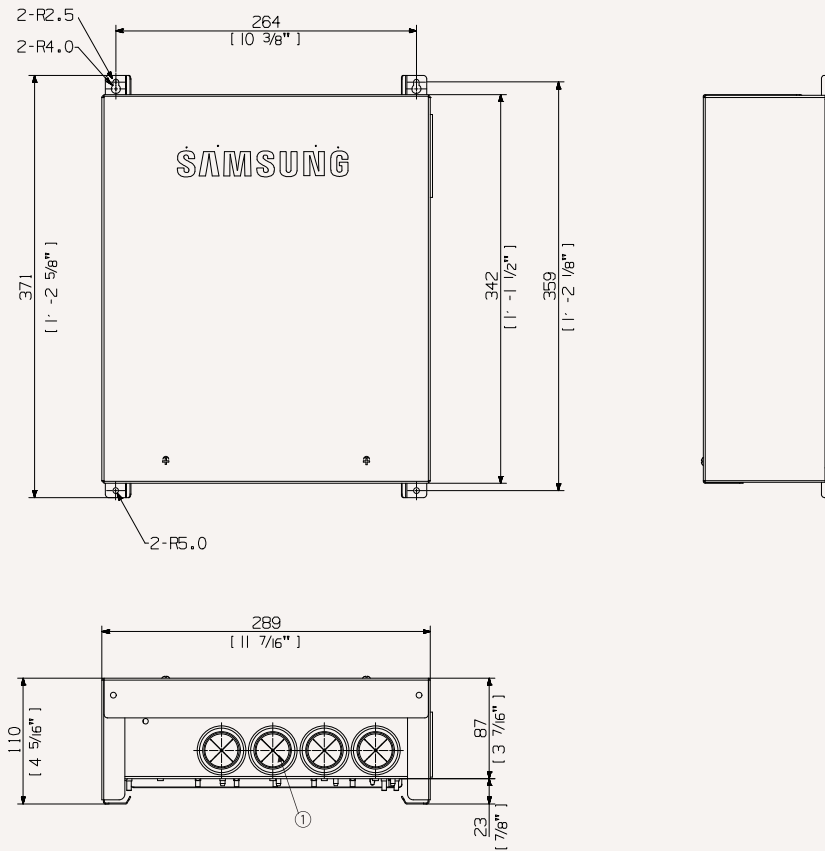


| NO | Name |
|----|--|
| 1 | Water Pipe(Out) |
| 2 | Water Pipe(In) |
| 3 | Power & Communication Wiring Conduit Holes |

Dimensional Drawings

Mono Control Kit

MIM-E03CN



| NO | Name |
|----|-----------------------------------|
| 1 | Conduit Holes for Wiring (Rubber) |

