

TDM Plus






Specifications

TDM Plus (R410A)

- All-in-One Air-to-Water (A2W) and Air-to Air (A2A) solution
- 2-zone control, suitable for floor heating and radiators
- SmartThings compatible with optional Wi-Fi Kit
- Connect up to 7 Indoor air conditioning units



System	Operation	Indoor Unit			AE090MNYDEH/EU	AE090MNYDEH/EU	AE090MNYDEH/EU
		Outdoor Unit			AE044MXTPEH/EU	AE066MXTPEH/EU	AE090MXTPEH/EU
System	Nominal Capacity	Heating A7/W35 ¹	W		4,400	6,600	9,000
		Cooling A35/W18 ¹	W		5,100	6,700	8,000
	Power Input (Nominal)	Heating A7/W35 ¹	W		930	1,470	2,120
		Cooling A35/W18 ¹	W		1,030	1,480	1,850
	COP (Nominal Heating) A7/W35 ¹		W/W		4,73	4,49	4,25
	EER (Nominal Cooling) A35/W18 ¹		W/W		4,95	4,53	4,32
	SCOP LWT 35°C		W/W		4,42	4,42	4,42
	Seasonal Space Heating Eff. Class LWT 35°C / 55°C				A++/A	A++/A	A++/A
	Current	MCA	A		18,00	20,00	22,00
		MFA	A		25,00	25,00	27,50
	Maximum Allowable IDU Connections (Hydro A2W Unit Not Included)	Max. Number of IDU	EA		2	3	4
		Total Capacity Min. (Cooling)	kW		2,20	3,30	4,50
		Total Capacity Min. (Cooling)	kW		4,40	6,60	9,00
	Leaving Water Temperature	Heating	°C		15-55 (H/P: 25-55)	15-55 (H/P: 25-55)	15-55 (H/P: 25-55)
		Cooling	°C		5-25	5-25	5-25
Ambient Temperature	Heating	°C		-25-35	-25-35	-25-35	
	Cooling	°C		10-46	10-46	10-46	
	DHW	°C		-25-43	-25-43	-25-43	
Wall-Mounted Hydro Unit	Power Supply	Ø, #, V, Hz		1Ø, 2, 220-240V, 50Hz	1Ø, 2, 220-240V, 50Hz	1Ø, 2, 220-240V, 50Hz	
	Expansion Vessel		litres	8	8	8	
	Sound	Sound Pressure ²	Std	dB(A)	31	31	31
		Sound Power	Std	dB(A)	48	48	48
	Dimensions	Net Weight		kg	45.5	45.5	45.5
		Net Dimensions (WxHxD)		mm	510 x 850 x 315	510 x 850 x 315	510 x 850 x 315
Outdoor Unit	Power Supply	Ø, V, Hz		1Ø, 2, 220-240V, 50Hz	1Ø, 2, 220-240V, 50Hz	1Ø, 2, 220-240V, 50Hz	
	Compressor	Type		Rotary Comp	Rotary Comp	Rotary Comp	
	Sound	Sound Pressure ²	Heating Std	dB(A)	47	48	51
			Cooling Std	dB(A)	46	47	50
		Sound Power	Heating Std	dB(A)	65	67	69
	Dimensions	Net Weight		kg	61.0	61.0	74.0
		Net Dimensions (WxHxD)		mm	880 x 793 x 310	880 x 793 x 310	940 x 998 x 330
	Refrigerant	Type		-	R410A	R410A	
					These products contain R410A (GWP=2.088) which is fluorinated greenhouse gas.		
	Factory Charging		tCO ₂ e		5.43	5.43	5.01
				kg	2.6	2.6	2.4
	Piping	Piping Connections	Liquid Pipe	Ø, mm (inch)	9.52 (3/8")	9.52 (3/8")	9.52 (3/8")
			Gas Pipe	Ø, mm (inch)	15.88 (5/8")	15.88 (5/8")	15.88 (5/8")
		Piping Length (ODU-IDU)	Max. [Equiv.]	m	30	30	30
	Level Difference (IDU-IDU)	Max.	m	20	20	20	
Chargeless Length		m	10	10	10		
Water Pipe	Inlet/Outlet	Ø, inch		1+1/4"	1+1/4"	1+1/4"	

Accessories		
		
EHS Controller	Wi-Fi Kit	External Thermostat
MWR-WW00N	MM-H03N	MRW-TA



¹A2W Conditions : (Heating) Water In/Out 30°C/35°C, Outdoor Air 7°C[DB]/6°C[W/B]; (Cooling) Water In/Out 23°C/18°C, Outdoor Air 35°C[DB].

²Sound pressure level is obtained in an anechoic room. Sound pressure level is a relative value, depending on the distance and acoustic environment. Sound pressure level may differ depending on operation conditions.

AE090MNYDGH/EU AE090MXTPGH/EU	AE160MNYDEH/EU AE120MXTPEH/EU	AE160MNYDGH/EU AE120MXTPGH/EU	AE160MNYDEH/EU AE160MXTPEH/EU	AE160MNYDGH/EU AE160MXTPGH/EU
9,000	12,000	12,000	16,000	16,000
8,000	12,000	12,000	14,500	14,500
2,120	2,720	2,720	3,950	3,950
1,860	2,900	2,900	3,840	3,840
4,25	4,41	4,41	4,05	4,05
4,30	4,14	4,14	3,78	3,78
4,45	4,66	4,66	4,63	4,63
A++/A	A++/A	A++/A	A++/A	A++/A
10,00	28,00	10,00	32,00	12,00
16,10	35,00	16,10	40,00	16,10
4	5	5	7	7
4,50	6,00	6,00	7,70	7,70
9,00	12,10	12,10	15,40	15,40
15-55 (H/P: 25-55)	15-55 (H/P: 25-55)	15-55 (H/P: 25-55)	15-55 (H/P: 25-55)	15-55 (H/P: 25-55)
5-25	5-25	5-25	5-25	5-25
-25-35	-25-35	-25-35	-25-35	-25-35
10-46	10-46	10-46	10-46	10-46
-25-43	-25-43	-25-43	-25-43	-25-43
3Ø, 4, 380-415V, 50Hz	1Ø, 2, 220-240V, 50Hz	3Ø, 4, 380-415V, 50Hz	1Ø, 2, 220-240V, 50Hz	3Ø, 4, 380-415V, 50Hz
8	8	8	8	8
31	38	38	38	38
48	55	55	55	55
46.5	46.5	46.5	46.5	46.5
510 x 850 x 315	510 x 850 x 315	510 x 850 x 315	510 x 850 x 315	510 x 850 x 315
3Ø, 4, 380-415V, 50Hz	1Ø, 2, 220-240V, 50Hz	3Ø, 4, 380-415V, 50Hz	1Ø, 2, 220-240V, 50Hz	3Ø, 4, 380-415V, 50Hz
Rotary Comp	Rotary Comp	Rotary Comp	Rotary Comp	Rotary Comp
51	52	52	55	55
50	51	51	54	54
69	70	70	73	73
76.0	107.0	107.0	107.0	107.0
940 x 998 x 330	940 x 1,420 x 330	940 x 1,420 x 330	940 x 1,420 x 330	940 x 1,420 x 330
R410A	R410A	R410A	R410A	R410A
	These products contain R410A (GWP=2.088) which is fluorinated greenhouse gas.			
5.01	7.31	7.31	7.31	7.31
2.4	3.5	3.5	3.5	3.5
9.52 (3/8")	9.52 (3/8")	9.52 (3/8")	9.52 (3/8")	9.52 (3/8")
15.88 (5/8")	15.88 (5/8")	15.88 (5/8")	15.88 (5/8")	15.88 (5/8")
30	30	30	30	30
20	30	30	30	30
10	10	10	10	10
1+1/4"	1+1/4"	1+1/4"	1+1/4"	1+1/4"

Specifications

TDM Plus Wall-Mounted

- Easy Filter Plus
- Triangle Design
- Wi-Fi Control Through Samsung SmartThings



Type				Wall-Mounted	Wall-Mounted	Wall-Mounted
Model Name				AE022MNADEH/EU	AE028MNADEH/EU	AE036MNADEH/EU
Power Supply		Φ, #, V, Hz		1,220-240,50	1,220-240,50	1,220-240,50
Performance	Capacity	Cooling	kW	2,2	2,8	3,6
		Heating	kW	2,5	3,2	4,0
Power	Power Input	Cooling	W	15,0	16,0	20,0
		Heating	W	18,0	24,0	28,0
	Current Input	Cooling	A	0,1	0,1	0,2
		Heating	A	0,2	0,2	0,2
Fan	Type		-	Crossflow Fan	Crossflow Fan	Crossflow Fan
	Quantity	EA		1	1	1
	Air Flow Rate	H/M/L (UL)	m³/min	5,4(C) / 6,5(H)	5,7(C) / 8,5(H)	7,1(C) / 10,0 (H)
Fan Motor	Type		-	BLDC Feedback	BLDC Feedback	BLDC Feedback
	Output x n	W		27x1	27x1	27x1
Piping Connections	Liquid Pipe		Ø, mm (inch)	6,35 (1/4")	6,35 (1/4")	6,35 (1/4")
	Gas Pipe		Ø, mm (inch)	12,7 (1/2")	12,7 (1/2")	12,7 (1/2")
Wiring connections	For power supply below 20m/over 20m	Min.	mm²	1,5/2,5	1,5/2,5	1,5/2,5
	Communication	Min.	mm²	0,75	0,75	0,75
Refrigerant	Type		-	R410A	R410A	R410A
	Control Method		-	EEV NOT INCLUDED	EEV NOT INCLUDED	EEV NOT INCLUDED
Sound	Sound Pressure	H/M/L	dB(A)	35 / 28 / 25	35 / 30 / 25	36 / 32 / 29
	Sound Power		dB(A)	50	53	54
Dimensions	Net Weight		kg	7,9	8	9,5
	Net Dimensions (W×H×D)		mm	750x249x246	750x249x246	826x261x261

Wall-Mounted	Wall-Mounted
AE056MNADEH/EU	AE071MNADEH/EU
1,220-240,50	1,220-240,50
5,6	7,1
6,3	8,0
27,0	41,0
31,0	53,0
0,2	0,3
0,3	0,4
Crossflow Fan	Crossflow Fan
1	1
11,8 (C) / 15,0 (H)	14,8 (C) / 17,4 (H)
BLDC Feedback	BLDC Feedback
27x1	27x1
6,35 (1/4")	9,52 (3/8")
12,7 (1/2")	15,88 (5/8")
1,5/2,5	1,5/2,5
0,75	0,75
R410A	R410A
EEV NOT INCLUDED	EEV NOT INCLUDED
39 / 35 / 32	44 / 40 / 36
57	61
14,3	14,3
1065x301x294	1065x301x294

Accessories



Room EEV Kit

Single EEV Kit

Remote Control

Touch Controller

Wired Remote Control

MXD-E**K**A

MEV-E**SA

AR-EH03E

MWR-SH11N

MWR-WE13N

Specifications

TDM Plus Slim Duct

- Slim design with thickness of just 200mm
- 750 mmH₂O condensation drain pump (optional)
- Antibacterial filter included



Type			Slim Duct	Slim Duct	Slim Duct	
Model Name			AE022MNLDEH/EU	AE028MNLDEH/EU	AE036MNLDEH/EU	
Power Supply		Ø, #, V, Hz	1,220-240,50	1,220-240,50	1,220-240,50	
Performance	Capacity	Cooling / Heating	kW	2.2/2.5	2.8/3.2	3.6/4.0
	Power Input	Cooling / Heating	W	0.30/0.30	60/60	65/65
Power	Current Input	Cooling / Heating	A	0.30/0.30	0.32/0.32	0.33/0.33
	Type		-	Sirocco Fan	Sirocco Fan	Sirocco Fan
Fan	Quantity		EA	2	2	2
	Air Flow Rate	H/M/L (UL)	m ³ /min	7.0 / 6.1 / 5.3	7.5 / 6.6 / 5.6	7.5 / 6.6 / 5.6
	External Pressure	Max. (Min/Std/Max)	mmAq	0/1/3	0/1/3	0/1/3
			Pa	0/9.8/29.4	0/9.8/29.4	0/9.8/29.4
Fan Motor	Type		-	SSR non-feedback	SSR non-feedback	SSR non-feedback
	Output x n		W	28x1	28x1	28x1
Piping Connections	Liquid Pipe		Ø, mm (inch)	6.35 (1/4")	6.35 (1/4")	6.35 (1/4")
	Gas Pipe		Ø, mm (inch)	12.7 (1/2")	12.7 (1/2")	12.7 (1/2")
Wiring connections	For power supply below 20m/over 20m	Min.	mm ²	1.5/2.5	1.5/2.5	1.5/2.5
	Communication	Min.	mm ²	0.75	0.75	0.75
Refrigerant	Type		-	R410A	R410A	R410A
Sound	Sound Pressure	H/M/L	dB(A)	26 / 24 / 21	28 / 26 / 23	32 / 30 / 27
	Sound Power		dB(A)	49	49	51
Dimensions	Net Weight		kg	19	19	19.5
	Net Dimensions (W×H×D)		mm	700 x 199 x 600	700 x 199 x 600	700 x 199 x 600
Optional Accessories	Drain Pump	Model	-	MDP-E075SEE3D	MDP-E075SEE3D	MDP-E075SEE3D
		Max. lifting Height/ Displacement		mm / Liter/h	750 / 24	750 / 24

Type			Slim Duct		
Model Name			AE056MNLDEH/EU		
Power Supply		Ø, #, V, Hz	1,220-240,50		
Performance	Capacity	Cooling / Heating	kW	5.6/6.3	
	Power Input	Cooling / Heating	W	95/95	
Power	Current Input	Cooling / Heating	A	0.53/0.53	
	Type		-	Sirocco Fan	
Fan	Quantity		EA	2	
	Air Flow Rate	H/M/L (UL)	m ³ /min	12.0 / 10.5 / 9.0	
	External Pressure	Max. (Min/Std/Max)	mmAq	0/1/3	0/2/4
			Pa	0/9.8/29.4	0/19.6/39.2
Fan Motor	Type		-	SSR non-feedback	
	Output x n		W	50x1	
Piping Connections	Liquid Pipe		Ø, mm (inch)	6.35 (1/4")	
	Gas Pipe		Ø, mm (inch)	12.7 (1/2")	
Wiring connections	For power supply below 20m/over 20m	Min.	mm ²	1.5/2.5	
	Communication	Min.	mm ²	0.75	
Refrigerant	Type		-	R410A	
Sound	Sound Pressure	H/M/L	dB(A)	36 / 34 / 31	
	Sound Power		dB(A)	55	
Dimensions	Net Weight		kg	24.5	
	Net Dimensions (W×H×D)		mm	900x199x600	
Optional Accessories	Drain Pump	Model	-	MDP-E075SEE3D	
		Max. lifting Height/ Displacement		mm / Liter/h	750 / 24

Accessories



Drain Pump	Remote Control	Touch Controller	Wired Remote Control	Wireless Receiver Kit
MDP-E075SEE3D	AR-EH03E	MWR-SH11N	MWR-WE13N	MRK-A10N

Specifications

TDM Plus MSP Duct

- External static pressure range from 0 to 14 mmAq
- Built-in electronic expansion valve (EEV) for refrigerant flow control (2000 step)
- Long-life washable permanent filter is included
- Auto Restart function.
- Built-in condensation drain pump (750 mmH₂O)
- SPI Ioniser device (optional)



Type				MSP Duct	MSP Duct
Model Name				AE071MMPEH/EU	AE090MMPEH/EU
Power Supply		Ø, #, V, Hz		1,220-240,50	1,220-240,50
Performance	Capacity	Cooling / Heating	kW	71/8.0	9.0/10.0
Power	Power Input	Cooling / Heating	W	120/120	145/145
	Current Input	Cooling / Heating	A	1.0/1.0	1.2/1.2
Fan	Type		-	Sirocco Fan	Sirocco Fan
	Quantity		EA	2	2
	Air Flow Rate	H/M/L (UL)	m ³ /min	22 / 19 / 16	29 / 25 / 22
	External Pressure	Max. (Min/Std/Max)	mmAq	0 / 3 / 15	0 / 4 / 15
Fan Motor	Type		-	BLDC Feedback	BLDC Feedback
	Output x n		W	153x1	153x1
Piping Connections	Liquid Pipe		Ø, mm (inch)	9.52 (3/8")	9.52 (3/8")
	Gas Pipe		Ø, mm (inch)	15.88 (5/8")	15.88 (5/8")
Wiring connections	For power supply below 20m/over 20m	Min.	mm ²	1.5/2.5	1.5/2.5
	Communication	Min.	mm ²	0.75	0.75
Refrigerant	Type		-	R410A	R410A
Sound	Sound Pressure	H/M/L	dB(A)	37 / 33 / 29	38 / 35 / 32
	Sound Power		dB(A)	57	58
Dimensions	Net Weight		kg	25.5	33
	Net Dimensions (W×H×D)		mm	850x250x700	1,200x250x700
Optional Accessories	Drain Pump	Model	-	MDP-G075SQ(built-in)	MDP-G075SQ(built-in)
				MDP-G075SP(external)	MDP-G075SP(external)
		Max. lifting Height/ Displacement	mm / Liter/h		750 / 24

Accessories



Built-in Drain Pump

MDP-G075SQ



External Drain Pump

MDP-G075SP



Remote Control

AR-EH03E



Touch Controller

MWR-SH1TN



Wired Remote Control

MWR-WE13N



Wireless Receiver Kit

MRK-A10N

Specifications

TDM Plus Console

- SPI Ioniser device (Included)
- Slim design with width of 100 mm
- Built-in electronic expansion valve (EEV) for refrigerant flow control (2000 step)
- Two separate air outlets, upper (cooling) and bottom (heating) to avoid stratifications
- Long-life washable permanent filter
- Auto Restart function



Type			Console	Console	Console
Model Name			AE022MNJDEH/ EU	AE028MNJDEH/ EU	AE036MNJDEH/ EU
Power Supply		Ø, #, V, Hz	1,220-240,50	1,220-240,50	1,220-240,50
Performance	Capacity	Cooling / Heating	2.2/2.5	2.8/3.2	3.6/4.0
	Power Input	Cooling / Heating	16/16	30/30	35/35
Power	Current Input	Cooling / Heating	0.13/0.13	0.25/0.25	0.29/0.29
	Type	-	Turbo Fan	Turbo Fan	Turbo Fan
Fan	Quantity	EA	1	1	1
	Air Flow Rate	H/M/L (UL)	6.3 / 5.4 / 4.9	7.0 / 6.0 / 5.0	8.50 / 7.50 / 6.50
Fan Motor	Type	-	BLDC Feedback	BLDC Feedback	BLDC Feedback
	Output x n	W	37 x 1	37 x 1	37 x 1
Piping Connections	Liquid Pipe	Ø, mm (inch)	6.35 (1/4")	6.35 (1/4")	6.35 (1/4")
	Gas Pipe	Ø, mm (inch)	12.7 (1/2")	12.7 (1/2")	12.7 (1/2")
Wiring connections	For power supply below 20m/over 20m	Min. mm²	1.5/2.5	1.5/2.5	1.5/2.5
	Communication	Min. mm²	0.75	0.75	0.75
Refrigerant	Type	-	R410A	R410A	R410A
Sound	Sound Pressure	H/M/L	34 / 32 / 30	38 / 36 / 34	39 / 37 / 34
	Sound Power	dB(A)	52	58	59
Dimensions	Net Weight	kg	15,5	16	16
	Net Dimensions (W×H×D)	mm	720x620x199	720x620x199	720x620x199

Type	Console
Model Name	AE056MNJDEH/ EU
Power Supply	1,220-240,50
Performance	5.6/6.3
Power	62/62
Power	0.49/0.49
Fan	Turbo Fan
Fan	1
Fan	13.0 / 11.5 / 10.0
Fan	BLDC Feedback
Fan	37 x 1
Piping	6.35 (1/4")
Piping	12.7 (1/2")
Wiring	1.5/2.5
Wiring	0.75
Refrigerant	R410A
Sound	43 / 40 / 37
Sound	64
Dimensions	16
Dimensions	720x620x199

Accessories



Touch Controller

Wired Remote Control

MWR-SH11N

MWR-WE13N

Specifications

Wi-Fi Kit



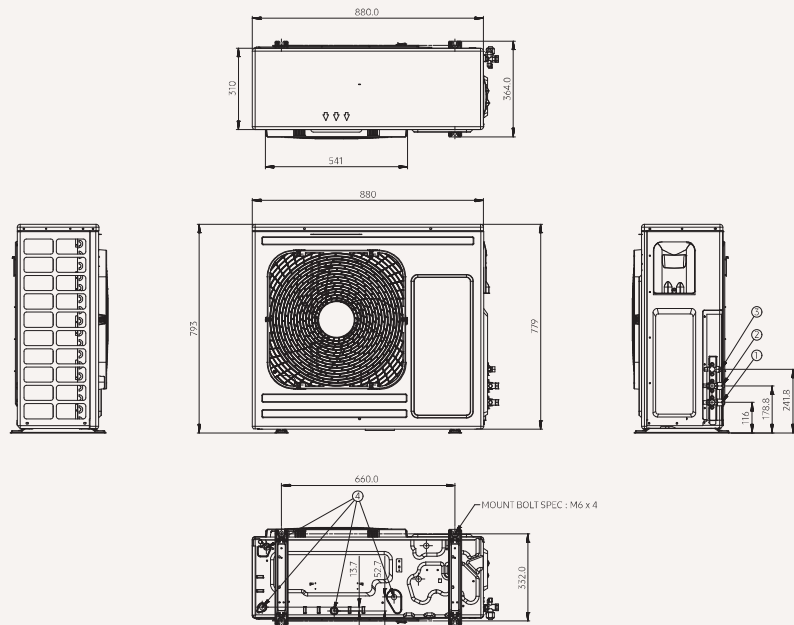
	Model	MIM-H03N
Fan	Compatible Controller	MWR-WW00N (R410A)
	Max Connected IDU	16
	App	SmartThings
	Voice recognition	-
	Welcome Cooling/Heating	-
	Automation	-
	Add scene	-
	Energy monitoring	One outdoor power monitoring (Module can not be monitored)
Product Size (mm) WxHxD	120 x 124 x 29	



Dimensional Drawings

TDM Plus Outdoor

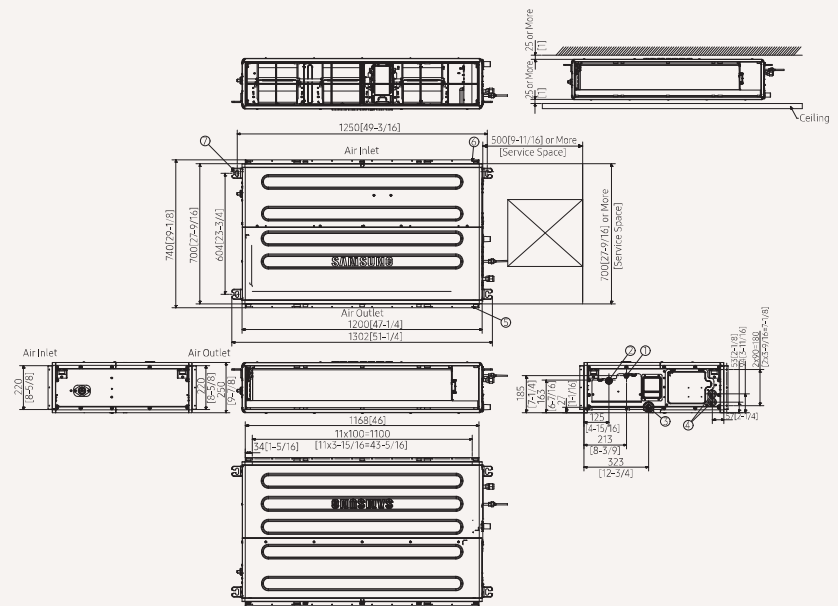
AE044/066MXTPEH/EU



NO	Name	Description
		4.4kW 6.6kW
1	Refrigerant gas pipe for air	Φ15.88(*5/8)
2	Refrigerant gas pipe for water	Φ15.88(*5/8)
3	Refrigerant liquid pipe	Φ9.52(*3/8)
4	Drain holes	Connect with the provided drain plug.

TDM Plus Outdoor

AE090MXTPH*H/EU

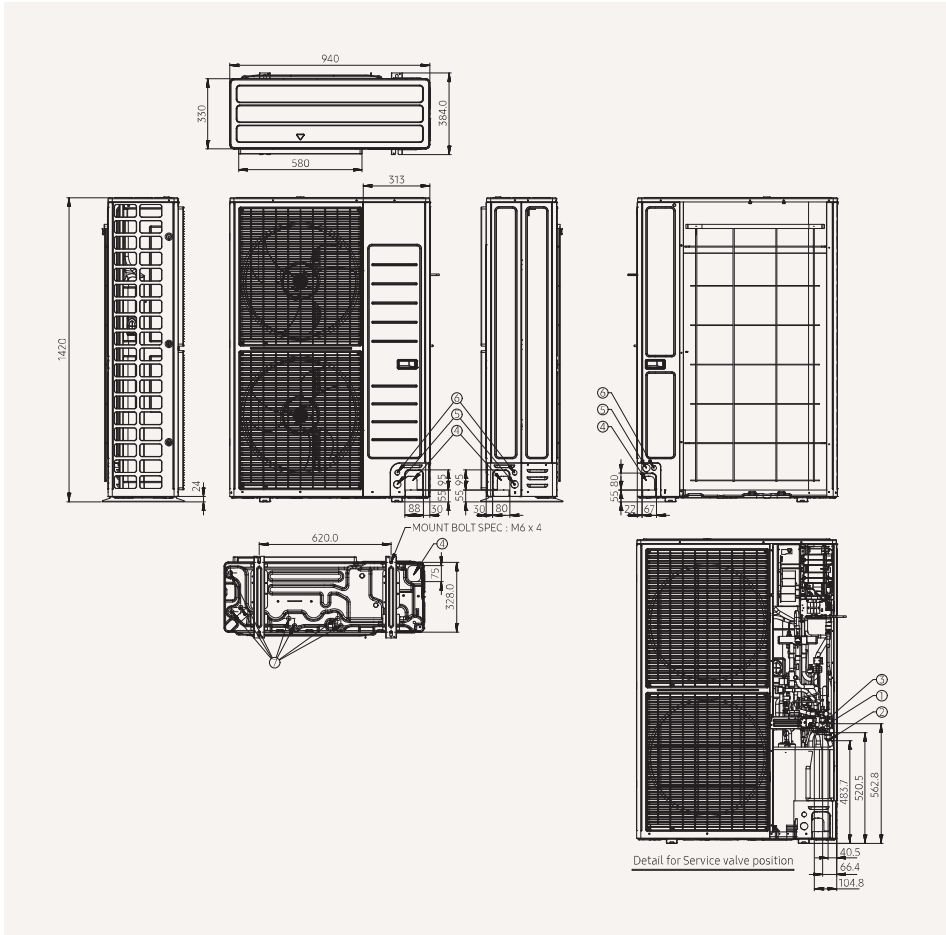


NO	Name	Description
		9kW
1	Refrigerant liquid pipe	Φ15.88(*5/8)
2	Refrigerant gas pipe for air	Φ15.88(*5/8)
3	Refrigerant gas pipe for water	Front / Side / Rear / Bottom
4	Knockout hole for pipe intake	Front / Side / Rear, Φ34(*1-3/8)
5	Power wiring conduits	Front / Side / Rear, Φ22(*7/8)
6	Communication wiring conduits	Connect with the provided drain plug.
7	Drain holes	ø28

Dimensional Drawings

TDM Plus Outdoor

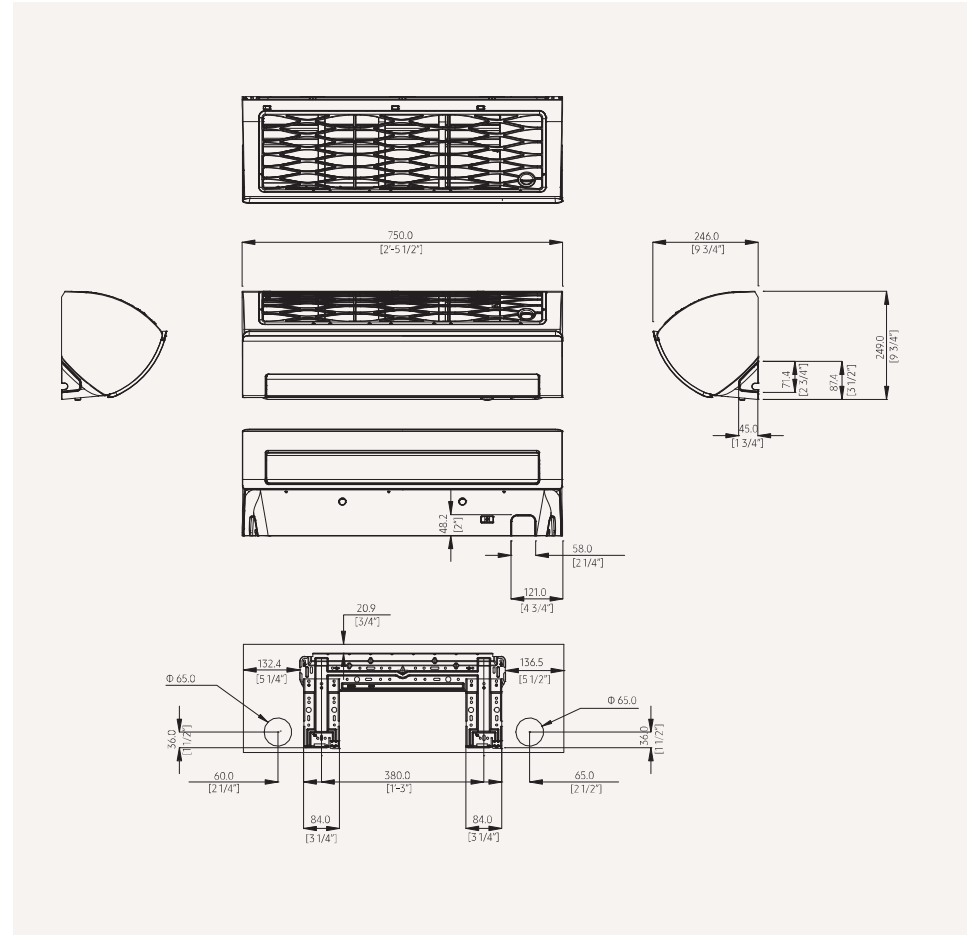
AE120/160MXP*H/EU*G/EU



NO	Name	Description	
		12kW	16kW
1	Refrigerant liquid pipe	Φ9.52(*3/8)	
2	Refrigerant gas pipe for air	Φ15.88(*5/8)	Φ15.88(*5/8)
3	Refrigerant gas pipe for water	Φ15.88(*5/8)	Φ15.88(*5/8)
4	Knockout hole for pipe intake	Front / Side / Rear / Bottom	Front / Side / Rear / Bottom
5	Power wiring conduits	Front / Side / Rear, Φ34(*1-3/8)	Front / Side / Rear, Φ34(*1-3/8)
6	Communication wiring conduits	Front / Side / Rear, Φ22(*7/8)	Front / Side / Rear, Φ22(*7/8)
7	Drain holes	Connect with the provided drain plug.	

TDM Plus Wall-Mounted Triangle

AE022/028MND*H/EU

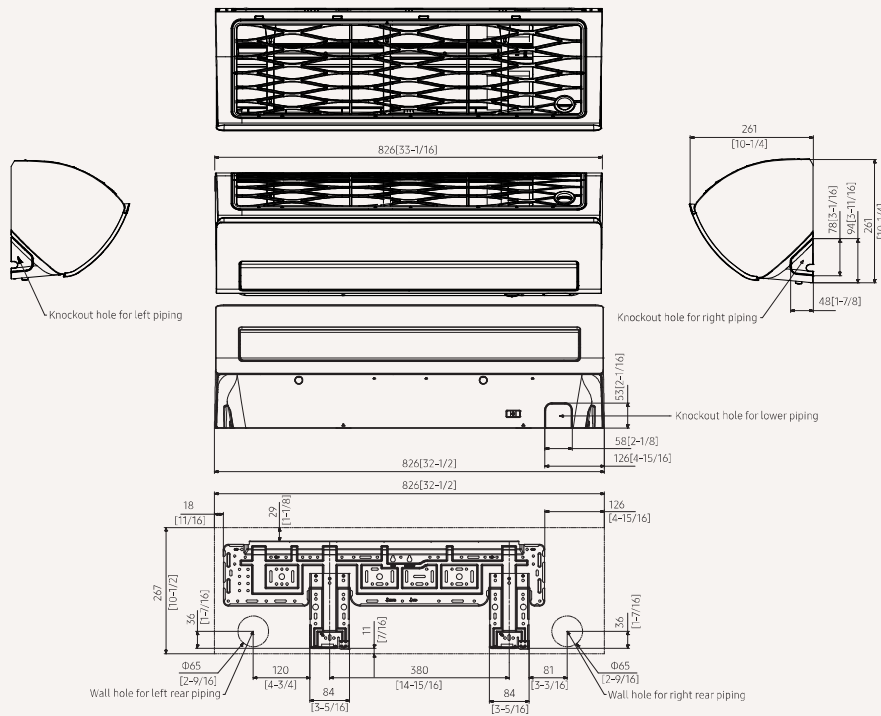


NO	Name	Description	
		2.2kW	2.8kW
1	Refrigerant gas pipe	Φ12.7 Flare	
2	Refrigerant liquid pipe	Φ6.35 Flare	
3	Drain pipe connection	ID 18 Hose	

Dimensional Drawings

TDM Plus Wall-Mounted Triangle

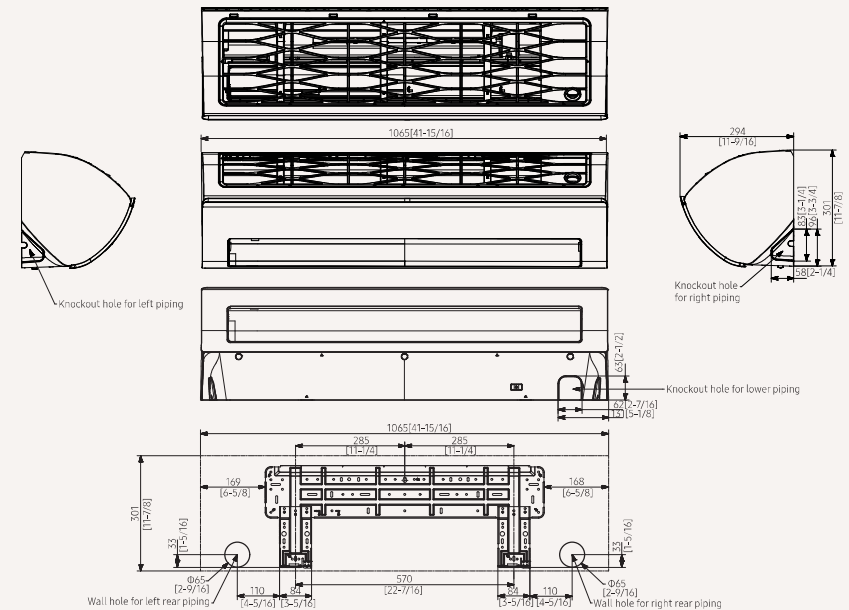
AE036MNDEH/EU



NO	Name	Description
1	Refrigerant gas pipe	Φ6.35(1/4)
2	Refrigerant liquid pipe	Φ12.7(Φ1/2)
3	Drain pipe connection	ID 18 Hose
4	Power supply & Communication wiring conduit	-

TDM Plus Wall-Mounted Triangle

AE056/071MNDEH/EU

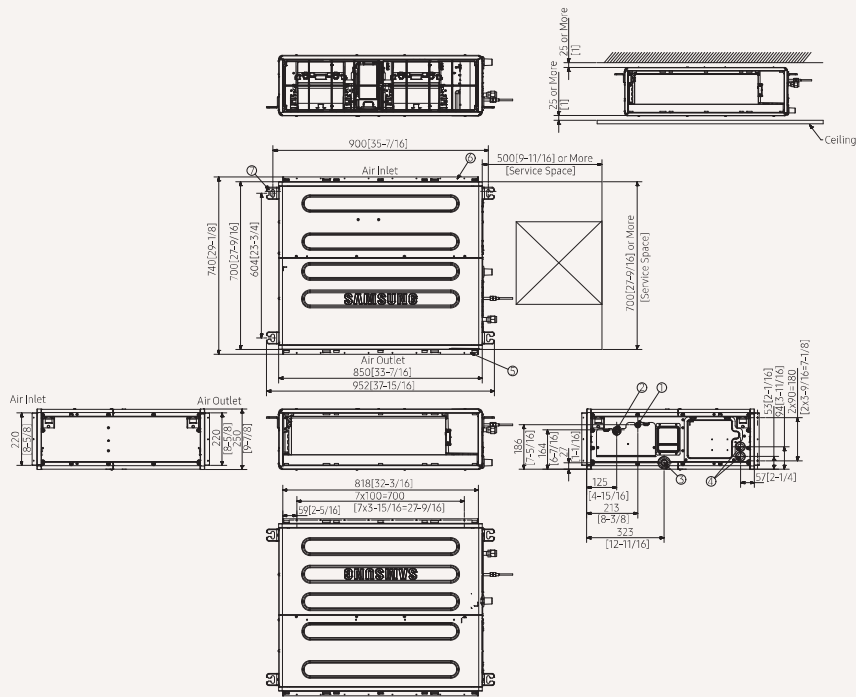


NO	Name	Description	
		5.6kW	7.1kW
2	Refrigerant gas pipe	Φ6.35(1/4)	Φ9.52(3/8)
3	Refrigerant liquid pipe	Φ12.7(Φ1/2)	Φ15.88(Φ5/8)
4	Drain pipe connection	ID 18 Hose	
5	Power supply & Communication wiring conduit	-	

Dimensional Drawings

TDM Plus MSP Duct

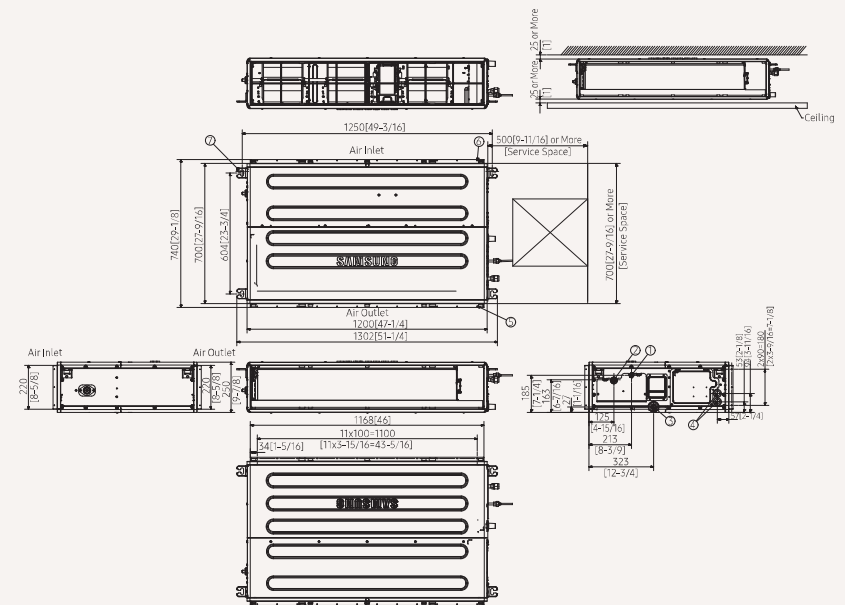
AE071MMNPEH/EU



NO	Name	Description
1	Liquid pipe connection	Ø9.52(3/8)
2	Gas pipe connection	Ø15.88(5/8)
3	Drain pipe connection	VP-25(OD 32, ID 25)
4	Power supply & Communication wiring conduit	-
5	Air suction flange	-
6	Air discharge flange	-
7	Hook	Use M8-M10 bolt(4ea)

TDM Plus MSP Duct

AE090MMNPEH/EU

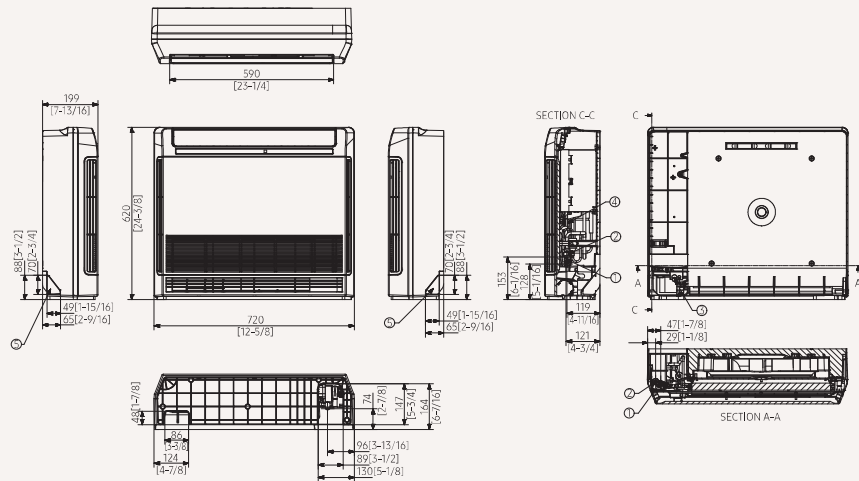


NO	Name	Description
1	Liquid pipe connection	Ø9.52(3/8)
2	Gas pipe connection	Ø15.88(5/8)
3	Drain pipe connection	VP-25(OD 32, ID 25)
4	Power supply & Communication wiring conduit	-
5	Air suction flange	-
6	Air discharge flange	-
7	Hook	Use M8-M10 bolt(4ea)

Dimensional Drawings

TDM Plus Console

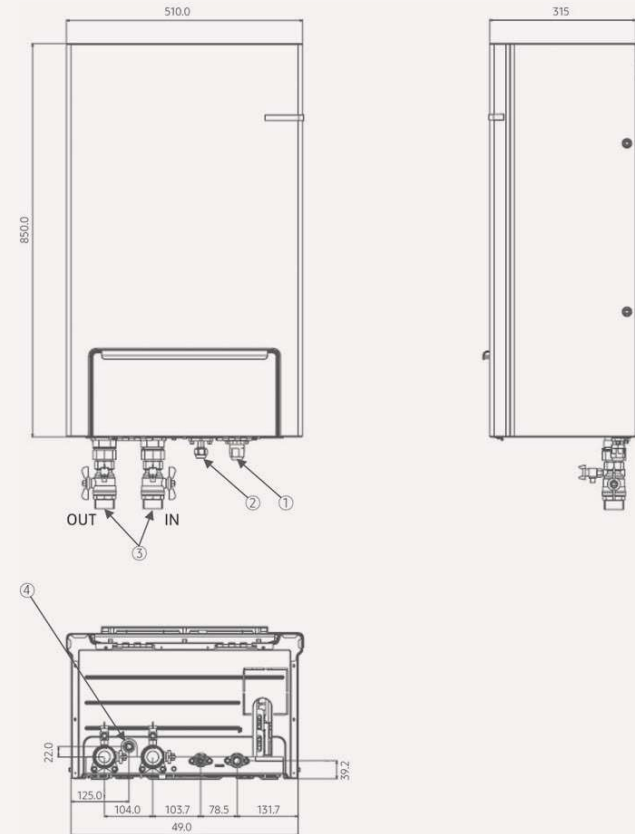
AE022/028/036/056MNIJDEH/EU



NO	Name	Description
1	Liquid pipe connection	Φ6.35(1/4)
2	Gas pipe connection	Φ12.7(1/2)
3	Drain pipe connection	ID 18mm[11/16 inch] Hose
4	Power supply & Communication wiring conduit	-
5	Knockout hole for drain hose	-

Wall-Mounted Hydro Unit

AE090/160MNYD*/EU



NO	Name
1	Gas Ref. Pipe
2	Liquid Ref. Pipe
3	Water Pipe (Inlet/Outlet)
4	Drain Hose Connector