

Specifications

360 Cassette

- 360 degree air supply.
- Bladeless discharge. Booster fans can be individually controlled, allowing for completely horizontal flow discharge. Coanda effect is created even without ceiling.

- Built-in condensation drain pump.
- Predisposition of the air inlet to let fresh air in.
- Compatible with Wi-Fi IoT controller.
- Circular or square cassette panel.



| Model: | | AM09KX42 EN EU | AM113KX42 EN EU | AM130KX42 EN EU | | |
|-------------------------|----------------------------|-------------------------|-------------------------|-------------------------|----------------------|-----------|
| Power Supply | | 10, 2, 220-240 V, 50 Hz | 10, 2, 220-240 V, 50 Hz | 10, 2, 220-240 V, 50 Hz | | |
| Performance | Capacity (Nominal) | Cooling | kW | 4.5 | 5.6 | 7.1 |
| | Heating | kW | 5.0 | 6.3 | 8.0 | |
| Power | Power Input (Nominal) | Cooling | W | 26 | 30 | 34 |
| | Heating | W | 26 | 30 | 34 | |
| Current Input (Nominal) | Cooling | A | 0.18 | 0.21 | 0.25 | |
| | Heating | A | 0.18 | 0.21 | 0.25 | |
| Fan | Motor | Type | - | Turbo Fan | Turbo Fan | Turbo Fan |
| | Output | W | 65 x 1 | 65 x 1 | 65 x 1 | |
| Airflow Rate | W, M, L, UCL | m ³ /min | 14.50/15.50/17.50 | 14.50/16.50/18.50 | 18.00/19.00/21.00 | |
| | U | l/s | 241.67/255.00/288.33 | 246.67/261.67/295.00 | 300.00/316.67/350.00 | |
| Piping Connected | Liquid Pipe | a, mm | 6.35 | 6.35 | 9.52 | |
| | | a, inch | 1/4 | 1/4 | 3/8 | |
| | Gas Pipe | a, mm | 12.70 | 12.70 | 15.88 | |
| | | a, inch | 1/2 | 1/2 | 5/8 | |
| Drain Pipe | a, mm | VP25 (Ø0.32, ID 25) | VP25 (Ø0.32, ID 25) | VP25 (Ø0.32, ID 25) | | |
| | b, mm | 15-2.5 | 15-2.5 | 15-2.5 | | |
| Refrigerant | Type | - | R410A | R410A | | |
| | Control Method | - | EEV INCLUDED | EEV INCLUDED | EEV INCLUDED | |
| Sound | Pressure | Pa (INCL) | 33/31/29 | 34/32/29 | 36/33/30 | |
| | Power | Cooling | 50 | 57 | 53 | |
| Dimension | Net Weight | kg | 21.0 | 21.0 | 21.0 | |
| | Net Dimensions (W x H x D) | mm | 947 x 281 x 947 | 947 x 281 x 947 | 947 x 281 x 947 | |
| Panel | Model Name | - | PCANUDMAN | PCANUDMAN | | |

| AM09KX42 EN EU | AM113KX42 EN EU | AM130KX42 EN EU | AM140KX42 EN EU |
|-------------------------|-------------------------|-------------------------|-------------------------|
| 10, 2, 220-240 V, 50 Hz | 10, 2, 220-240 V, 50 Hz | 10, 2, 220-240 V, 50 Hz | 10, 2, 220-240 V, 50 Hz |
| 9.0 | 11.2 | 12.8 | 14.0 |
| 10.0 | 12.5 | 13.8 | 16.0 |
| 55 | 53 | 77 | 91 |
| 55 | 53 | 77 | 91 |
| 0.42 | 0.41 | 0.42 | 0.75 |
| 0.42 | 0.41 | 0.42 | 0.75 |
| Turbo Fan | Turbo Fan | Turbo Fan | Turbo Fan |
| 65 x 1 | 97 x 1 | 97 x 1 | 97 x 1 |
| 22.00/18.50/16.00 | 25.50/21.00/17.50 | 29.50/24.00/19.00 | 31.50/26.50/21.00 |
| 366.67/308.33/266.67 | 425.00/350.00/291.67 | 491.67/405.00/316.67 | 525.00/441.67/350.00 |
| 9.52 | 9.52 | 9.52 | 9.52 |
| 3/8 | 3/8 | 3/8 | 3/8 |
| 15.88 | 15.88 | 15.88 | 15.88 |
| 5/8 | 5/8 | 5/8 | 5/8 |
| VP25 (Ø0.32, ID 25) | VP25 (Ø0.32, ID 25) | VP25 (Ø0.32, ID 25) | VP25 (Ø0.32, ID 25) |
| 15-2.5 | 15-2.5 | 15-2.5 | 15-2.5 |
| 0.75-1.50 | 0.75-1.50 | 0.75-1.50 | 0.75-1.50 |
| R410A | R410A | R410A | R410A |
| EEV INCLUDED | EEV INCLUDED | EEV INCLUDED | EEV INCLUDED |
| 40/36/32 | 40/36/32 | 42/38/33 | 44/40/35 |
| 57 | 38 | 40 | 47 |
| 21.0 | 24.0 | 24.0 | 24.0 |
| 947 x 281 x 947 | 947 x 365 x 947 | 947 x 365 x 947 | 947 x 365 x 947 |
| PCANUDMAN | PCANUDMAN | PCANUDMAN | PCANUDMAN |

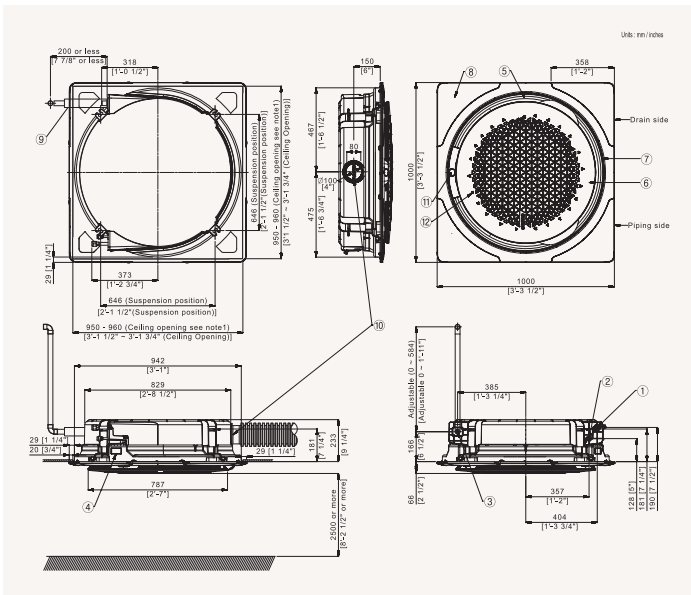
Accessories

| | | | | | |
|----------|-----------|-----------|-----------|-----------|----------|
| | | | | | |
| MR-WR03E | MR-SM00N | MR-SH11N | MR-WR03N | MR-WR03N | MR-WR03N |
| | | | | | |
| MR-WR04 | PCANUDMAN | PCANUDMAN | PCANUDMAN | PCANUDMAN | |

Dimensional drawings

360 Cassette (square)

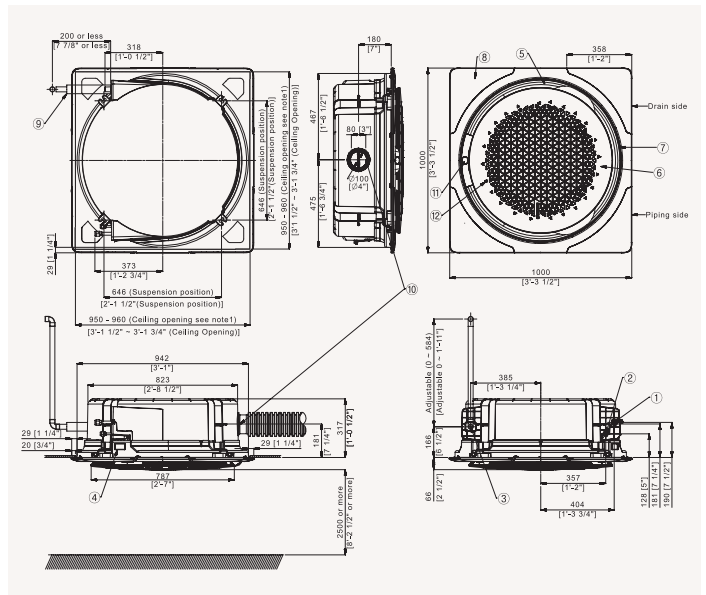
AM1111MDDH/EU, AM123MDDH/EU, AM123RMDH/EU, AM123RMDH/EU, AM123RMDH/EU



| N.O | Name |
|-----|--|
| 1 | Refrigerant liquid pipe |
| 2 | Refrigerant gas pipe |
| 3 | Condensate drain |
| 4 | Power supply/communication wiring conduits |
| 5 | Air discharge opening |
| 6 | Air suction grille |
| 7 | Suction rim for booster fan |
| 8 | Corner decoration cover |
| 9 | Drain hose |
| 10 | Fresh air intake knock-out hole |
| 11 | Display window |
| 12 | Infrared receiver |

1. Make sure the spacing between the ceiling and the cassette is no more than 29 mm [1 1/4"].
Max ceiling opening: 960 mm [3 1 3/4"]
2. When the conditions exceed 30 °C and RH 80 % in the ceiling or fresh air inducted into the ceiling, additional insulation is required (polythene foam, thickness 10 mm [3/8"] or more)
3. Open type panel model code: PC4NUDDMAN

AM1111MDDH/EU, AM123MDDH/EU, AM123RMDH/EU, AM123RMDH/EU, AM123RMDH/EU



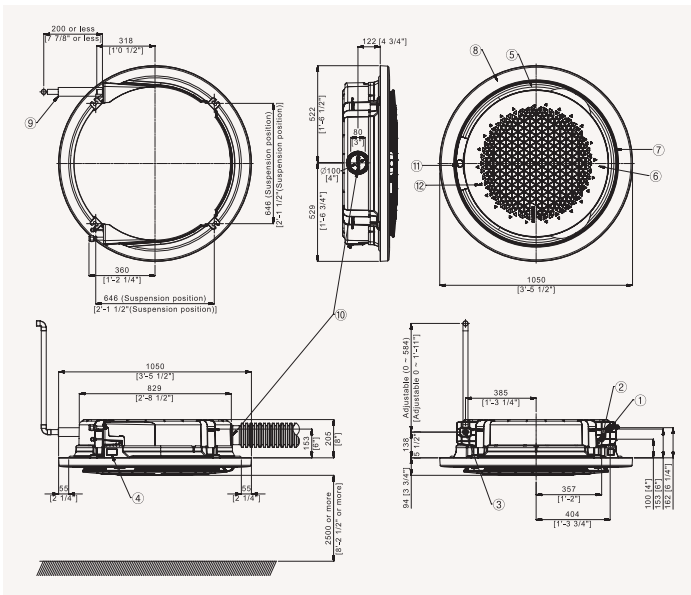
| N.O | Name |
|-----|--|
| 1 | Refrigerant liquid pipe |
| 2 | Refrigerant gas pipe |
| 3 | Condensate drain |
| 4 | Power supply/communication wiring conduits |
| 5 | Air discharge opening |
| 6 | Air suction grille |
| 7 | Suction rim for booster fan |
| 8 | Corner decoration cover |
| 9 | Drain hose |
| 10 | Fresh air intake knock-out hole |
| 11 | Display window |
| 12 | Infrared receiver |

1. Make sure the spacing between the ceiling and the cassette is no more than 29 mm [1 1/4"].
Max ceiling opening: 960 mm [3 1 3/4"]
2. When the conditions exceed 30 °C and RH 80 % in the ceiling or fresh air inducted into the ceiling, additional insulation is required (polythene foam, thickness 10 mm [3/8"] or more)
3. Open type panel model code: PC4NUDDMAN

Dimensional drawings

360 Cassette (circular)

AM112XMDER/EU, AM250XMDER/EU, AM375XMDER/EU, AM400XMDER/EU



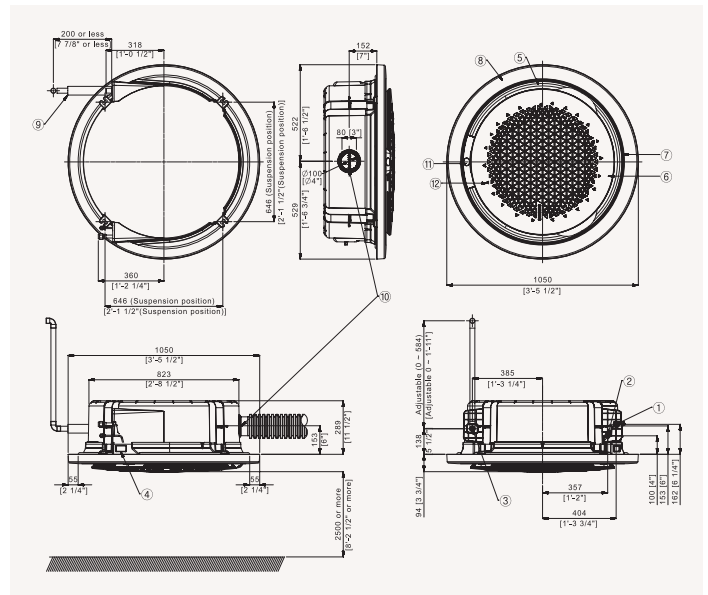
| Nº | Name |
|----|--|
| 1 | Refrigerant liquid pipe |
| 2 | Refrigerant gas pipe |
| 3 | Condensate drain |
| 4 | Power supply/communication wiring conduits |
| 5 | Air discharge opening |
| 6 | Air suction grille |
| 7 | Suction rim for booster fan |
| 8 | Corner decoration cover |
| 9 | Drain hose |
| 10 | Fresh air intake knock-out hole |
| 11 | Display window |
| 12 | Infrared receiver |

| Category | Inspection hole |
|-----------------------|----------------------|
| Recessed installation | Exposed installation |
| Integrated | Suspended |

| Series Panel | 1 ea |
|--------------|------|
| Circle Panel | 2 ea |

1. Make sure the spacing between the ceiling and the cassette is no more than 10 mm (3/8").
2. When the conditions exceed 30 °C and RH 80 % in the ceiling or fresh air induced into the ceiling additional insulation is required (polythene foam, thickness 10 mm (3/8") or more).
3. Open type panel model code: PCANUNMAN
4. The circular panel is available by default in the exposed installation.
5. Make inspection holes on the ceiling for easier installation and maintenance, as shown in the following table. (An inspection hole must be at least 450 mm x 450 mm in size.)
6. A suspended ceiling structure can substitute for the inspection holes.

AM112XMDER/EU, AM250XMDER/EU, AM375XMDER/EU, AM400XMDER/EU



| Nº | Name |
|----|--|
| 1 | Refrigerant liquid pipe |
| 2 | Refrigerant gas pipe |
| 3 | Condensate drain |
| 4 | Power supply/communication wiring conduits |
| 5 | Air discharge opening |
| 6 | Air suction grille |
| 7 | Suction rim for booster fan |
| 8 | Corner decoration cover |
| 9 | Drain hose |
| 10 | Fresh air intake knock-out hole |
| 11 | Display window |
| 12 | Infrared receiver |

| Category | Inspection hole |
|-----------------------|----------------------|
| Recessed installation | Exposed installation |
| Integrated | Suspended |

| Series Panel | 1 ea |
|--------------|------|
| Circle Panel | 2 ea |

1. Make sure the spacing between the ceiling and the cassette is no more than 10 mm (3/8").
2. When the conditions exceed 30 °C and RH 80 % in the ceiling or fresh air induced into the ceiling additional insulation is required (polythene foam, thickness 10 mm (3/8") or more).
3. Open type panel model code: PCANUNMAN
4. The circular panel is available by default in the exposed installation.
5. Make inspection holes on the ceiling for easier installation and maintenance, as shown in the following table. (An inspection hole must be at least 450 mm x 450 mm in size.)
6. A suspended ceiling structure can substitute for the inspection holes.

Specifications

Wind-Free™ 4-Way Cassette

- Two-step cooling: Fast Cooling mode and Wind-Free™ Cooling mode.
- Four-way air supply via independently adjustable blades.
- Built-in condensation drain pump and humidity sensor.
- Direct drive fan powered by a BLDC motor.
- Compatible with Wi-Fi Kit controller.
- Motion Detect Sensor (optional).



| Model Name | | | AM019ANNDCH/EU | AM022NNDCH/EU | AM028NNDCH/EU | |
|--------------------|-------------------------------|---------------------|-------------------------|-------------------------|-------------------------|--------------|
| Power Supply | | Φ, V, Hz | 10, 2, 220-240 V, 50 Hz | 10, 2, 220-240 V, 50 Hz | 10, 2, 220-240 V, 50 Hz | |
| Performance | Capacity | Cooling | kW | 1.5 | 2.2 | 2.8 |
| | | Heating | kW | 1.7 | 2.5 | 3.2 |
| Power | Power Input | Cooling | W | 18 | 18 | 18 |
| | | Heating | W | 18 | 18 | 18 |
| | Current Inlet | Cooling | A | 0.17 | 0.17 | 0.17 |
| | | Heating | A | 0.17 | 0.17 | 0.17 |
| Current | MCA | A | 0.2 | 0.2 | 0.2 | |
| | MFA | A | 15 | 15 | 15 | |
| Fan | Type | | Turbo Fan | Turbo Fan | Turbo Fan | |
| | Number of Fans | | 1 | 1 | 1 | |
| | Airflow Rate | H, M, L | m³/min | 8.2/7.0/6.3 | 9.0/7.9/5 | 10.0/8.5/7.5 |
| Fan Motor | Model | - | BLDC Motor | BLDC Motor | BLDC Motor | |
| | Output | W | 65 x 1 | 65 x 1 | 65 x 1 | |
| Piping Connections | Lk Up Pipe | Ø, mm | 6.35 | 6.35 | 6.35 | |
| | | Ø, Inch | 1/4 | 1/4 | 1/4 | |
| | Gas Pipe | Ø, mm | 12.7 | 12.7 | 12.7 | |
| | | Ø, Inch | 1/2 | 1/2 | 1/2 | |
| Drain Pipe | Ø, mm | VP25 (ØD 32, ID 25) | VP25 (ØD 32, ID 25) | VP25 (ØD 32, ID 25) | | |
| | Ø, mm | VP25 (ØD 32, ID 25) | VP25 (ØD 32, ID 25) | VP25 (ØD 32, ID 25) | | |
| Wiring Connections | Communication | W/L | 0.75 | 0.75 | 0.75 | |
| | Remark | - | FL12 | FL12 | FL12 | |
| Refrigerant | Type | - | R410A | R410A | R410A | |
| | Direct Evaporator Drain Valve | - | EEV INCLUDED | EEV INCLUDED | EEV INCLUDED | |
| Sens. P | Sens. Pressure | H, M, L | Ø18/Ø28.0/23.0 | Ø2.0/29.0/25.0 | Ø3.0/30.0/26.0 | |
| | Cooling | kg | 46 | 47 | 50 | |
| Dimensions | Net Weight | kg | 12.0 | 12.0 | 12.0 | |
| | Net Dimensions (W x H x D) | mm | 575 x 250 x 575 | 575 x 250 x 575 | 575 x 250 x 575 | |
| Panel | Model Name | - | PC45UPMAN | PC45UPMAN | PC45UPMAN | |
| | Drain Pump | - | INCLUDED | INCLUDED | INCLUDED | |
| | Max. Lifting Height/Offset | mm / Inch | 750/24 | 750/24 | 750/24 | |

| Model Name | | | AM031NNDCH/EU | AM035NNDCH/EU | AM040NNDCH/EU | AM046NNDCH/EU | |
|--------------------|-------------------------------|---------------------|-------------------------|-------------------------|-------------------------|-------------------------|----------------|
| Power Supply | | Φ, V, Hz | 10, 2, 220-240 V, 50 Hz | 10, 2, 220-240 V, 50 Hz | 10, 2, 220-240 V, 50 Hz | 10, 2, 220-240 V, 50 Hz | |
| Performance | Capacity | Cooling | kW | 3.6 | 4.5 | 5.6 | 6.0 |
| | | Heating | kW | 4.0 | 5.0 | 6.3 | 6.8 |
| Power | Power Input | Cooling | W | 20 | 23 | 28 | 31 |
| | | Heating | W | 20 | 23 | 28 | 31 |
| | Current Inlet | Cooling | A | 0.19 | 0.22 | 0.27 | 0.30 |
| | | Heating | A | 0.19 | 0.22 | 0.27 | 0.30 |
| Current | MCA | A | 0.2 | 0.3 | 0.4 | 0.4 | |
| | MFA | A | 15 | 15 | 15 | 15 | |
| Fan | Type | | Turbo Fan | Turbo Fan | Turbo Fan | Turbo Fan | |
| | Number of Fans | | 1 | 1 | 1 | 1 | |
| | Airflow Rate | H, M, L | m³/min | 10.5/9.5/8.0 | 11.5/10.2/9.0 | 13.0/11.0/9.5 | 13.5/12.0/10.2 |
| Fan Motor | Model | - | BLDC Motor | BLDC Motor | BLDC Motor | BLDC Motor | |
| | Output | W | 65 x 1 | 65 x 1 | 65 x 1 | 65 x 1 | |
| Piping Connections | Lk Up Pipe | Ø, mm | 6.35 | 6.35 | 6.35 | 6.35 | |
| | | Ø, Inch | 1/4 | 1/4 | 1/4 | 1/4 | |
| | Gas Pipe | Ø, mm | 12.7 | 12.7 | 12.7 | 12.7 | |
| | | Ø, Inch | 1/2 | 1/2 | 1/2 | 1/2 | |
| Drain Pipe | Ø, mm | VP25 (ØD 32, ID 25) | VP25 (ØD 32, ID 25) | VP25 (ØD 32, ID 25) | VP25 (ØD 32, ID 25) | | |
| | Ø, mm | VP25 (ØD 32, ID 25) | VP25 (ØD 32, ID 25) | VP25 (ØD 32, ID 25) | VP25 (ØD 32, ID 25) | | |
| Wiring Connections | Communication | W/L | 0.75 | 0.75 | 0.75 | 0.75 | |
| | Remark | - | FL12 | FL12 | FL12 | FL12 | |
| Refrigerant | Type | - | R410A | R410A | R410A | R410A | |
| | Direct Evaporator Drain Valve | - | EEV INCLUDED | EEV INCLUDED | EEV INCLUDED | EEV INCLUDED | |
| Sens. P | Sens. Pressure | H, M, L | Ø18/Ø28.0/23.0 | Ø2.0/29.0/25.0 | Ø3.0/30.0/26.0 | Ø4.0/38.0/33.0 | |
| | Cooling | kg | 51 | 53 | 56 | 57 | |
| Dimensions | Net Weight | kg | 12.0 | 12.0 | 12.0 | 12.0 | |
| | Net Dimensions (W x H x D) | mm | 575 x 250 x 575 | 575 x 250 x 575 | 575 x 250 x 575 | 575 x 250 x 575 | |
| Panel | Model Name | - | PC45UPMAN | PC45UPMAN | PC45UPMAN | PC45UPMAN | |
| | Drain Pump | - | INCLUDED | INCLUDED | INCLUDED | INCLUDED | |
| | Max. Lifting Height/Offset | mm / Inch | 750/24 | 750/24 | 750/24 | 750/24 | |

Accessories



| Wireless Remote Controller | Slide Type Controller | Touch Controller | Wireless Remote Controller | Wireless Remote Controller | Wi-Fi Kit | Panel (Remote) |
|----------------------------|-----------------------|------------------|----------------------------|----------------------------|-----------|----------------|
| AR-E03C | MWR-S00N | MWR-S01N | MWR-W00N | MWR-W01N | MIM-W04N | PC45UPMAN |

Specifications

Wind-Free™ 4-Way Cassette

- Two-step cooling: Fast Cooling mode and Wind-Free™ Cooling mode.
- Four-way air supply via independently adjustable blades.
- Built-in condensation drain pump and humidity sensor.
- Direct drive fan powered by a BLDC motor.
- Compatible with Wi-Fi Kit controller.
- Motion Detect Sensor (optional).



| Model Name | | AM041N4204R/EE | AM041N4204R/EE | AM071N4204R/EE | | |
|--------------------|----------------------------------|-------------------------|-------------------------|-------------------------|-----------------|------|
| Power Supply | Φ, V, Hz | 10, 2, 220-240 V, 50 Hz | 10, 2, 220-240 V, 50 Hz | 10, 2, 220-240 V, 50 Hz | | |
| Mode | | - | HPVHR | HPVHR | | |
| Performance | Capacity | Cooling | kW | 4.5 | 5.6 | 7.1 |
| | | Heating | kW | 5.0 | 6.3 | 8.0 |
| | Power Input | Cooling | W | 32 | 32 | 45 |
| | | Heating | W | 32 | 32 | 45 |
| Current | Cooling | A | 0.22 | 0.22 | 0.31 | |
| | | Heating | A | 0.22 | 0.22 | 0.31 |
| | MCA | A | 0.3 | 0.3 | 0.4 | |
| | | MFA | A | 16 | 16 | 16 |
| Fan | Type | - | Turbo Fan | Turbo Fan | Turbo Fan | |
| | No. of Fans | - | 1 | 1 | 1 | |
| | Airflow Rate | m ³ /min | 14.5/13.5/12.5 | 15.0/14.0/13.0 | 17.0/15.5/14.5 | |
| | R/W/L | l/s | 242/225/208 | 250/233/217 | 283/258/242 | |
| Fan Motor | Model | - | BLDC Motor | BLDC Motor | BLDC Motor | |
| | Output | W | 65±1 | 65±1 | 65±1 | |
| Piping Connections | Liquid Pipe | φ, mm | 6.35 | 6.35 | 9.52 | |
| | | φ, inch | 1/4 | 1/4 | 3/8 | |
| | Gas Pipe | φ, mm | 12.7 | 12.7 | 15.88 | |
| | | φ, inch | 1/2 | 1/2 | 5/8 | |
| Drain Pipe | φ, mm | VPS100/32, ID 25) | VPS100/32, ID 25) | VPS100/32, ID 25) | | |
| | Connection | mm ² | 0.75 | 0.75 | 0.75 | |
| Wiring Connections | Remark | - | F1, F2 | F1, F2 | | |
| | Type | - | R410A | R410A | | |
| Refrigerant | Electronically Expansion Valve | - | EEV INCLUDED | EEV INCLUDED | | |
| | EEV INCLUDED | - | EEV INCLUDED | EEV INCLUDED | | |
| Sound | Sound Pressure | H/M/L | 33.0/32.0/30.0 | 33.0/32.0/30.0 | 35.0/34.0/33.0 | |
| | Sound Power | dB(A) | 49 | 50 | 51 | |
| Dimensions | Net Weight | kg | 15.5 | 15.5 | 19.0 | |
| | Net Dimensions (W x H x D) | mm | 840 x 204 x 840 | 840 x 204 x 840 | 840 x 204 x 840 | |
| Panel | Model Name | - | PCANUFMAN | PCANUFMAN | | |
| | Material | - | INCLUDED | INCLUDED | | |
| Drain Pump | Model Name | - | INCLUDED | INCLUDED | | |
| | Max. Lifting Height/Displacement | mm / liter/h | 750/24 | 750/24 | 750/24 | |

| Model Name | | AM061N4204R/EE | AM101N4204R/EE | AM121N4204R/EE | AM141N4204R/EE | |
|--------------------|----------------------------------|-------------------------|-------------------------|-------------------------|-------------------------|------|
| Power Supply | Φ, V, Hz | 10, 2, 220-240 V, 50 Hz | 10, 2, 220-240 V, 50 Hz | 10, 2, 220-240 V, 50 Hz | 10, 2, 220-240 V, 50 Hz | |
| Mode | | - | HPVHR | HPVHR | HPVHR | |
| Performance | Capacity | Cooling | kW | 9.0 | 11.2 | 12.8 |
| | | Heating | kW | 10.0 | 12.5 | 13.8 |
| | Power Input | Cooling | W | 42 | 38 | 35 |
| | | Heating | W | 42 | 38 | 35 |
| Current | Cooling | A | 0.43 | 0.55 | 0.51 | |
| | | Heating | A | 0.43 | 0.55 | 0.51 |
| | MCA | A | 0.6 | 0.9 | 0.8 | |
| | | MFA | A | 16 | 16 | 16 |
| Fan | Type | - | Turbo Fan | Turbo Fan | Turbo Fan | |
| | No. of Fans | - | 1 | 1 | 1 | |
| | Airflow Rate | m ³ /min | 19.5/18.0/16.5 | 26.0/24.0/22.0 | 28.0/26.0/23.0 | |
| | R/W/L | l/s | 325/300/275 | 433/400/367 | 467/433/383 | |
| Fan Motor | Model | - | BLDC Motor | BLDC Motor | BLDC Motor | |
| | Output | W | 65±1 | 65±1 | 65±1 | |
| Piping Connections | Liquid Pipe | φ, mm | 9.52 | 9.52 | 9.52 | |
| | | φ, inch | 3/8 | 3/8 | 3/8 | |
| | Gas Pipe | φ, mm | 15.88 | 15.88 | 15.88 | |
| | | φ, inch | 5/8 | 5/8 | 5/8 | |
| Drain Pipe | φ, mm | VPS100/32, ID 25) | VPS100/32, ID 25) | VPS100/32, ID 25) | | |
| | Connection | mm ² | 0.75 | 0.75 | 0.75 | |
| Wiring Connections | Remark | - | F1, F2 | F1, F2 | | |
| | Type | - | R410A | R410A | | |
| Refrigerant | Electronically Expansion Valve | - | EEV INCLUDED | EEV INCLUDED | | |
| | EEV INCLUDED | - | EEV INCLUDED | EEV INCLUDED | | |
| Sound | Sound Pressure | H/M/L | 39.0/36.0/33.0 | 40.0/38.0/35.0 | 42.0/40.0/35.0 | |
| | Sound Power | dB(A) | 57 | 57 | 56 | |
| Dimensions | Net Weight | kg | 15.5 | 17.0 | 19.0 | |
| | Net Dimensions (W x H x D) | mm | 840 x 204 x 840 | 840 x 246 x 840 | 840 x 288 x 840 | |
| Panel | Model Name | - | PCANUFMAN | PCANUFMAN | | |
| | Material | - | INCLUDED | INCLUDED | | |
| Drain Pump | Model Name | - | INCLUDED | INCLUDED | | |
| | Max. Lifting Height/Displacement | mm / liter/h | 750/24 | 750/24 | 750/24 | |

Accessories

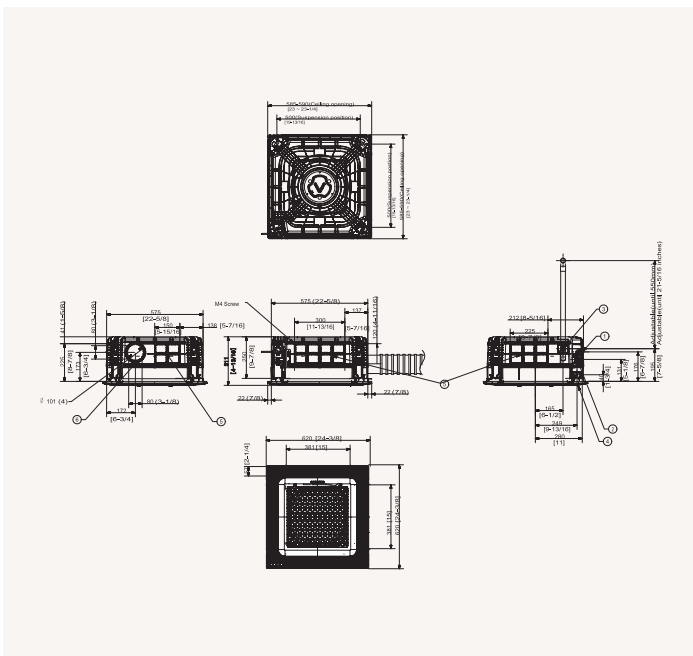


| Wireless Remote Controller | Simple Type Controller | Touch Controller | Wireless Remote Controller | Wireless Remote Controller | Wi-Fi Kit | External Thermostat | Panel (Mandatory) |
|----------------------------|------------------------|------------------|----------------------------|----------------------------|-----------|---------------------|-------------------|
| AR-C403E | MWR-SH00N | MWR-SH11N | MWR-WG001N | MWR-WE13N | MWH-M01EN | MRW-TA | PCANUFMAN |

Technical Drawings

Wind-Free™ 4-Way Cassette

4-WAY WIND-FREE



| NO | Qty | Description |
|----|-----|---|
| 1 | 1 | Liquid pipe connection #6.35 (1/4") |
| 2 | 1 | Gas pipe connection #12.75 (1/2") |
| 3 | 1 | Drain pipe connection VP25 (Ø1.32, ID 25) |
| 4 | 1 | Power supply/communication wiring conduits Use M4 Screw |
| 5 | 1 | Fresh air intake knock-out hole #10 M4, use M4 Screw |

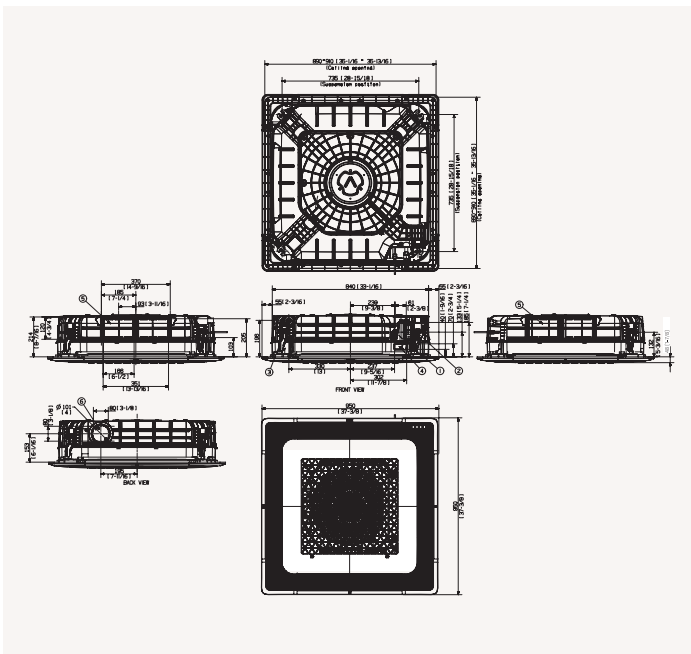
Note: As for suspension bolt, please use MB-M10. (Procured at local site)



Technical Drawings

Wind-Free™ 4-Way Cassette

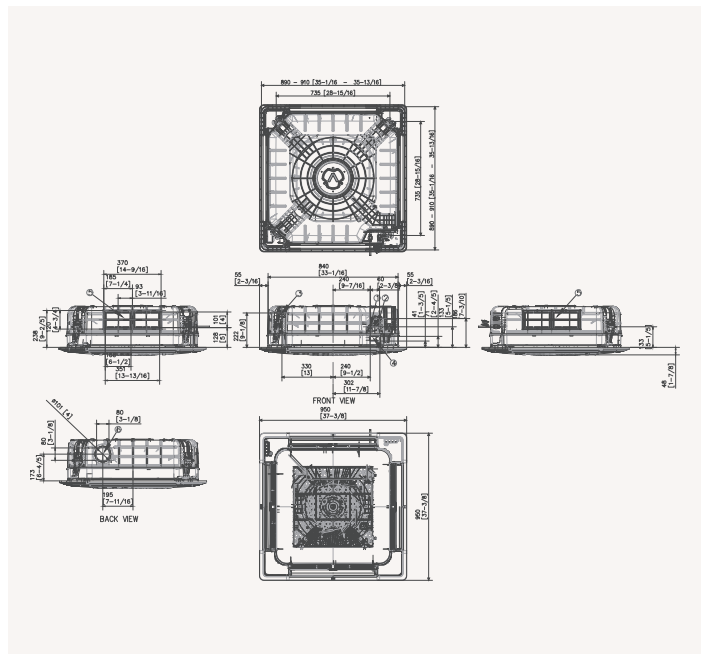
A405206/07/08/09/10/11/12



| NO | Name | Description | | | |
|----|--|-------------|---------------------|-------------------------|--------|
| | | 4.5 kW | 5.6 kW | 7.1 kW | 9.0 kW |
| 1 | Liquid pipe connection | ø6.35 (1/4) | | ø9.52 (3/8) | |
| 2 | Gas pipe connection | ø12.7 (1/2) | | ø15.88 (5/8) | |
| 3 | Drain pipe connection | | VP25 (OD 32, ID 25) | | |
| 4 | Power supply/communication wiring conduits | | | | |
| 5 | Fresh air intake knock-out hole | | | ø10 (3/4), use M4 Screw | |

Note: As for suspension bolt, please use M8-M10. (Procured at local site)

A41121/10/02/11/12



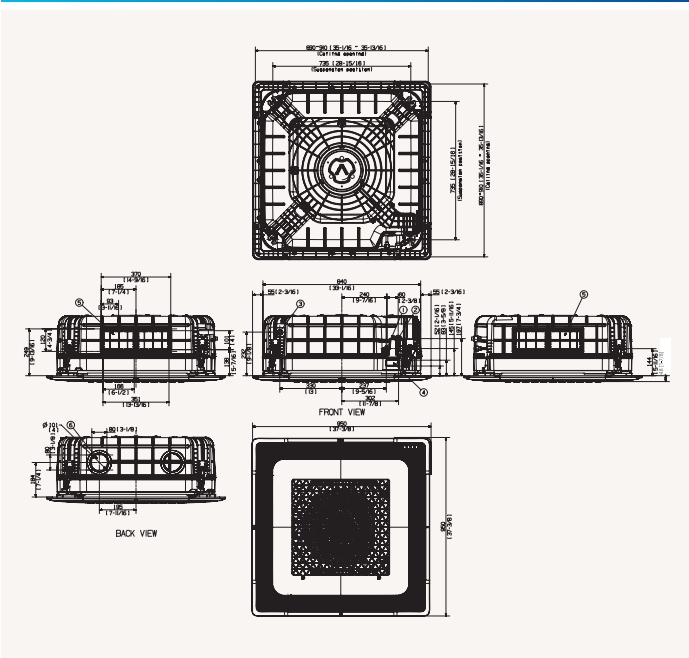
| NO | Name | Description |
|----|--|-------------------------|
| | | 1 |
| 2 | Gas pipe connection | ø15.88 (5/8) |
| 3 | Drain pipe connection | VP25 (OD 32, ID 25) |
| 4 | Power supply/communication wiring conduits | |
| 5 | Fresh air intake knock-out hole | ø10 (3/4), use M4 Screw |

Note: As for suspension bolt, please use M8-M10. (Procured at local site)

Technical Drawings

Wind-Free™ 4-Way Cassette

A4112/12/10/01/00/01/01



| No | Name | Description |
|----|--|----------------------|
| 1 | Liquid pipe connection | #9 S2 (3/8") |
| 2 | Gas pipe connection | #15 S2 (5/8") |
| 3 | Drain pipe connection | VP25 S20 S2, ID 253 |
| 4 | Power supply/communication wiring conduits | |
| 5 | Fresh air intake knock-out hole | #10 S4, use M4 Screw |

Note: As for suspension bolt, please use MB-M10. (Procured at local site)



Specifications

Wind-Free™ 1-Way Cassette

- Two-step cooling: Fast Cooling mode and Wind-Free™ Cooling mode.
- One-way air supply by means of a 100 mm wide blade.
- Built-in condensation drain pump and humidity sensor.
- Cross-flow fan direct driven by a BLDC motor.
- Compatible with Wi-Fi Kit controller.



| Model | | AM076N1FE4/EU | AM022N1FE4/EU | AM021N1DE4/EU | | |
|--------------------|----------------------------------|-------------------------|-------------------------|-------------------------|---------------------|---------------------|
| Power Supply | Φ, V, Hz | 10, 2, 220-240 V, 50 Hz | 10, 2, 220-240 V, 50 Hz | 10, 2, 220-240 V, 50 Hz | | |
| Performance | Capacity | Cooling | kW | 1.7 | 2.2 | 2.2 |
| | | Heating | kW | 1.9 | 2.5 | 2.5 |
| Power | Power Input | Cooling | W | 24 | 25 | 40 |
| | | Heating | W | 24 | 25 | 40 |
| Current | Current Input | Cooling | A | 0.14 | 0.15 | 0.20 |
| | | Heating | A | 0.14 | 0.15 | 0.20 |
| | Current | MCA | A | 0.18 | 0.19 | 0.25 |
| | | MFA | A | 15 | 15 | 15 |
| Fan | Type | - | Crossflow Fan | Crossflow Fan | Crossflow Fan | |
| | No. of Fans | - | 1 | 1 | 1 | |
| | Airflow Rate | m ³ /min | 4.80/4.30/4.10 | 5.10/4.60/4.30 | 6.00/5.00/4.00 | |
| Fan Motor | Material | - | BLDC Motor | BLDC Motor | AC Motor | |
| | Displacement | W | 27 x 1 | 27 x 1 | 17 x 1 | |
| Piping Connections | Liquid Pipe | Ø, mm | 6.35 | 6.35 | 6.35 | |
| | | Ø, inch | 1/4 | 1/4 | 1/4 | |
| | Gas Pipe | Ø, mm | 12.7 | 12.7 | 12.7 | |
| | | Ø, inch | 1/2 | 1/2 | 1/2 | |
| Wiring Connections | Connection with Indoor | Wiring | mm ² | VP20 (OD 25, ID 20) | VP20 (OD 25, ID 20) | VP20 (OD 25, ID 20) |
| | Remark | - | F1, F2 | F1, F2 | F1, F2 | |
| Refrigerant | Type | - | R410A | R410A | R410A | |
| | Electron-leak Detection Valve | - | EEV INCLUDED | EEV INCLUDED | EEV INCLUDED | |
| Sound | Sound Pressure | dB(A) | 28/26/24 | 29/26/24 | 29/26/24 | |
| | Sound Power | W | 46 | 47 | 47 | |
| Dimension | Net Weight | kg | 8.0 | 8.0 | 10.0 | |
| | Net Dimensions (W x H x D) | mm | 740 x 135 x 360 | 740 x 135 x 360 | 970 x 135 x 470 | |
| Panel | Material Name | - | PC/ABS/PMMA | PC/ABS/PMMA | PC/ABS/PMMA | |
| | Material Name | - | INCLUDED | INCLUDED | INCLUDED | |
| Drain pump | Max. Lifting Height/Displacement | m/ l | 750/24 | 750/24 | 750/24 | |

| Model | | AM028N1DE4/EU | AM036N1DE4/EU | AM035N1DE4/EU | AM077N1DE4/EU | | |
|--------------------|----------------------------------|-------------------------|-------------------------|-------------------------|-------------------------|---------------------|------|
| Power Supply | Φ, V, Hz | 10, 2, 220-240 V, 50 Hz | 10, 2, 220-240 V, 50 Hz | 10, 2, 220-240 V, 50 Hz | 10, 2, 220-240 V, 50 Hz | | |
| Performance | Capacity | Cooling | kW | 2.8 | 3.6 | 5.6 | 7.1 |
| | | Heating | kW | 3.2 | 4.0 | 6.3 | 8.0 |
| Power | Power Input | Cooling | W | 45 | 50 | 55 | 80 |
| | | Heating | W | 45 | 50 | 55 | 80 |
| Current | Current Input | Cooling | A | 0.23 | 0.25 | 0.28 | 0.4 |
| | | Heating | A | 0.23 | 0.25 | 0.28 | 0.4 |
| | Current | MCA | A | 0.29 | 0.31 | 0.35 | 0.50 |
| | | MFA | A | 15 | 15 | 15 | 15 |
| Fan | Type | - | Crossflow Fan | Crossflow Fan | Crossflow Fan | | |
| | No. of Fans | - | 1 | 1 | 1 | | |
| | Airflow Rate | m ³ /min | 7.00/6.00/5.00 | 8.00/7.00/6.00 | 14.00/14.00/12.50 | 17.00/15.50/14.00 | |
| Fan Motor | Material | - | BLDC Motor | BLDC Motor | BLDC Motor | | |
| | Displacement | W | 17 x 1 | 17 x 1 | 54 x 1 | 54 x 1 | |
| Piping Connections | Liquid Pipe | Ø, mm | 6.35 | 6.35 | 6.35 | | |
| | | Ø, inch | 1/4 | 1/4 | 1/4 | | |
| | Gas Pipe | Ø, mm | 12.7 | 12.7 | 12.7 | | |
| | | Ø, inch | 1/2 | 1/2 | 1/2 | | |
| Wiring Connections | Connection with Indoor | Wiring | mm ² | VP20 (OD 25, ID 20) | VP20 (OD 25, ID 20) | VP20 (OD 25, ID 20) | |
| | Remark | - | F1, F2 | F1, F2 | F1, F2 | | |
| Refrigerant | Type | - | R410A | R410A | R410A | | |
| | Electron-leak Detection Valve | - | EEV INCLUDED | EEV INCLUDED | EEV INCLUDED | | |
| Sound | Sound Pressure | dB(A) | 32/28/24 | 37/33/30 | 41/38/35 | 47/39/36 | |
| | Sound Power | W | 50 | 55 | 59 | 66 | |
| Dimension | Net Weight | kg | 10.0 | 10.0 | 13.5 | | |
| | Net Dimensions (W x H x D) | mm | 970 x 135 x 470 | 970 x 135 x 470 | 1,200 x 138 x 450 | 1,200 x 138 x 450 | |
| Panel | Material Name | - | PC/ABS/PMMA | PC/ABS/PMMA | PC/ABS/PMMA | | |
| | Material Name | - | INCLUDED | INCLUDED | INCLUDED | | |
| Drain pump | Max. Lifting Height/Displacement | m/ l | 750/24 | 750/24 | 750/24 | | |

Accessories

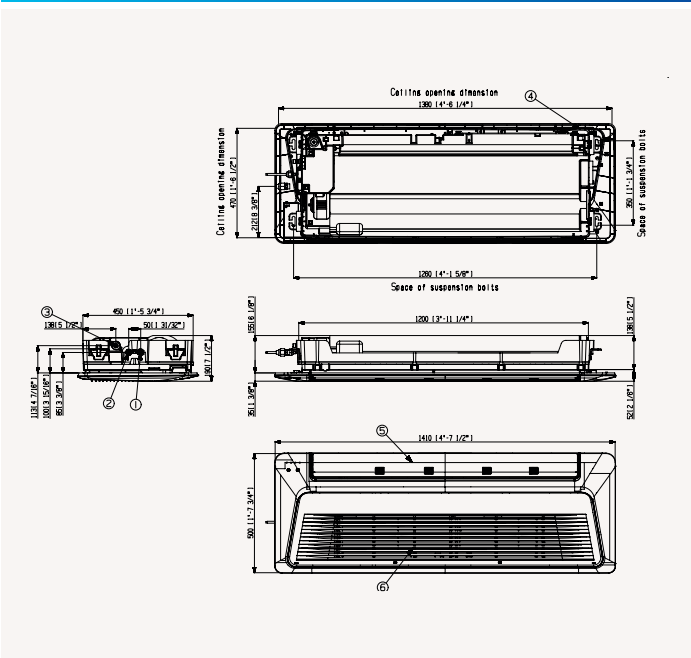


| Wireless Remote Controller | SimpleType Controller | Touch Controller | Wireless Remote Controller | Wireless Remote Controller | Wi-Fi Kit | Panel | External Thermostat |
|----------------------------|-----------------------|------------------|----------------------------|----------------------------|-----------|-----------|---------------------|
| AR-4003E | MWR-SH00N | MWR-SH13N | MWR-WG01N | MWR-WE13N | MIM-H04EN | PC1-WFMAN | M-RW-4E |

Dimensional drawings

Wind-Free™ 1-Way Cassette

AHRS/GTMM1001/1-1



| No | No. mo | Description | |
|----|--|--------------------|--------------|
| | | 5.2 kW | 7.1 kW |
| 1 | Gas pipe connection | φ12.70 (1/2) | φ15.88 (5/8) |
| 2 | Liquid pipe connection | φ6.35 (1/4) | φ9.52 (3/8) |
| 4 | Power supply/communication wiring conduits | V25 (ØØ 52, 1Ø 25) | |
| 5 | Air outlet louvre | | |
| 6 | Air inlet grille | | |





Specifications

Duct S

- Two-position field adjustable air return, on the bottom or at the rear of the unit.
- Equipped with one Sirocco fan driven by a single motor.
- Long-life washable permanent filter is included.
- Auto Restart function.
- Optional condensate drain pump.



| Model | | AM030R MFKX/EG | AM041R MFKX/EG | AM060R MFKX/EG | AM071R MFKX/EG |
|----------------------------------|---------------------------------|--|--|--|--|
| Power Supply | Φ, V, Hz | 10, 2, 220-240 V, 50 Hz | 10, 2, 220-240 V, 50 Hz | 10, 2, 220-240 V, 50 Hz | 10, 2, 220-240 V, 50 Hz |
| Performance | Capacity (Nominal) | Cooling kW 3.6 | 4.5 | 5.6 | 7.1 |
| | Heating kW 4.0 | 5.0 | 6.3 | 8.0 | |
| Power | Power Input (Nominal) | Cooling W 50 | 60 | 70 | 120 |
| | Heating W 50 | 60 | 70 | 120 | |
| Circuit Breaker (Nominal) | Cooling A 0.5 | 0.6 | 0.7 | 1.0 | |
| | Heating A 0.5 | 0.6 | 0.7 | 1.0 | |
| Circuit Breaker | NCA A 1.04 | 1.26 | 1.26 | 1.52 | |
| | MFA/MDP A 15 | 15 | 15 | 15 | |
| Fan | Type | Sirocco Fan | Sirocco Fan | Sirocco Fan | Sirocco Fan |
| | Number of Fans | 2 | 2 | 2 | 2 |
| Airflow Rate | M, M/L, L/L | m³/min 12.0/9.5/8.0 | 14.0/11.0/8.0 | 16.0/13.5/11.0 | 22.0/19.0/16.0 |
| | L/S | 200/158/133 | 233/183/133 | 267/225/183 | 363/319/267 |
| External Pressure | mmAq 0.00/2.50/15.00 | 0.00/3.00/15.00 | 0.00/3.00/15.00 | 0.00/3.00/15.00 | |
| | Pa 0.00/24.50/147.20 | 0.00/29.40/147.20 | 0.00/29.40/147.20 | 0.00/29.40/147.20 | |
| Fan Motor | Motor | BLOC motor (Feedback) | BLOC motor (Feedback) | BLOC motor (Feedback) | BLOC motor (Feedback) |
| | Output (W) | 153 x 1 | 153 x 1 | 153 x 1 | 153 x 1 |
| Piping Connections | Liquid Pipe | φ, mm 6.35 | 6.35 | 6.35 | 9.52 |
| | φ, inch 1/4 | 1/4 | 1/4 | 1/4 | 3/8 |
| | Gas Pipe | φ, mm 12.7 | 12.7 | 12.7 | 15.88 |
| φ, inch 1/2 | 1/2 | 1/2 | 1/2 | 5/8 | |
| Wiring Connections | For power supply | Midsize mm² 1.5 | 1.5 | 1.5 | 1.5 |
| | Connection with heater | Midsize mm² 0.75 | 0.75 | 0.75 | 0.75 |
| Refrigerant | Type | R410A | R410A | R410A | R410A |
| | Control Method | EVI included | EVI included | EVI included | EVI included |
| Sound | Sound Pressure (M/PL) | (E)A1 29/26/23 | 31/28/24 | 32/29/25 | 33/31/29 |
| | Sound Power (Cooling) (Nominal) | (E)A1 40 | 44 | 45 | 47 |
| Dimensions | Net Weight | kg 25.5 | 25.5 | 25.5 | 25.5 |
| | Net Dimensions (W x H x D) | mm 850 x 250 x 700 | 850 x 250 x 700 | 850 x 250 x 700 | 850 x 250 x 700 |
| Air Filter | Type | Removable (Washable)/Mildew-proof | Removable (Washable)/Mildew-proof | Removable (Washable)/Mildew-proof | Removable (Washable)/Mildew-proof |
| | Accessories | MDP-G0750 (built-in) MDP-G0750P (external) | MDP-G0750 (built-in) MDP-G0750P (external) | MDP-G0750 (built-in) MDP-G0750P (external) | MDP-G0750 (built-in) MDP-G0750P (external) |



| Model | AM090R MFKX/EG | AM120R MFKX/EG | AM124R MFKX/EG | AM128R MFKX/EG | AM128R MFKX/EG | AM140R MFKX/EG | AM140R MFKX/EG |
|----------------------------------|---------------------------------|--|--|--|--|--|--|
| Power Supply | 10, 2, 220-240 V, 50 Hz | 10, 2, 220-240 V, 50 Hz | 10, 2, 220-240 V, 50 Hz | 10, 2, 220-240 V, 50 Hz | 10, 2, 220-240 V, 50 Hz | 10, 2, 220-240 V, 50 Hz | 10, 2, 220-240 V, 50 Hz |
| Performance | Capacity (Nominal) | Cooling kW 9.0 | 11.2 | 11.2 | 12.8 | 12.8 | 14.0 |
| | Heating kW 10.0 | 12.5 | 12.5 | 13.8 | 13.8 | 16.0 | 16.0 |
| Power | Power Input (Nominal) | Cooling W 145 | 165 | 205 | 175 | 230 | 215 |
| | Heating W 145 | 165 | 205 | 175 | 230 | 215 | 260 |
| Circuit Breaker (Nominal) | Cooling A 1.2 | 0.5 | 1.4 | 2.05 | 1.5 | 1.4 | 1.7 |
| | Heating A 1.2 | 1.4 | 1.2 | 1.5 | 1.4 | 1.7 | 1.5 |
| Circuit Breaker | NCA A 2.03 | 2.51 | 2.92 | 2.51 | 3.17 | 2.51 | 3.42 |
| | MFA/MDP A 15 | 15 | 15 | 15 | 15 | 15 | 15 |
| Fan | Type | Sirocco Fan | Sirocco Fan | Sirocco Fan | Sirocco Fan | Sirocco Fan | Sirocco Fan |
| | Number of Fans | 1 | 1 | 1 | 1 | 1 | 1 |
| Airflow Rate | M, M/L, L/L | m³/min 29.0/25.0/22.0 | 35.0/29.0/22.0 | 35.0/29.0/22.0 | 38.0/32.0/25.0 | 38.0/32.0/25.0 | 42.0/34.0/25.0 |
| | L/S | 483/410/367 | 583/483/367 | 583/483/367 | 633/533/417 | 633/533/417 | 700/567/417 |
| External Pressure | mmAq 0.00/4.00/15.00 | 0.00/5.00/15.00 | 0.00/5.00/15.00 | 0.00/5.00/15.00 | 0.00/5.00/15.00 | 0.00/5.00/15.00 | 0.00/5.00/15.00 |
| | Pa 0.00/39.20/147.20 | 0.00/51.00/147.20 | 0.00/51.00/147.20 | 0.00/60.80/147.20 | 0.00/60.80/147.20 | 0.00/60.80/147.20 | 0.00/60.80/147.20 |
| Fan Motor | Motor | BLOC motor (Feedback) | BLOC motor (Feedback) | BLOC motor (Feedback) | BLOC motor (Feedback) | BLOC motor (Feedback) | BLOC motor (Feedback) |
| | Output (W) | 153 x 1 | 244 x 1 | 350 x 1 | 244 x 1 | 350 x 1 | 244 x 1 |
| Piping Connections | Liquid Pipe | φ, mm 9.52 | 9.52 | 9.52 | 9.52 | 9.52 | 9.52 |
| | φ, inch 3/8 | 3/8 | 3/8 | 3/8 | 3/8 | 3/8 | 3/8 |
| | Gas Pipe | φ, mm 15.88 | 15.88 | 15.88 | 15.88 | 15.88 | 15.88 |
| φ, inch 5/8 | 5/8 | 5/8 | 5/8 | 5/8 | 5/8 | 5/8 | |
| Wiring Connections | For power supply | Midsize mm² 1.5 | 1.5 | 1.5 | 1.5 | 1.5 | 1.5 |
| | Connection with heater | Midsize mm² 0.75 | 0.75 | 0.75 | 0.75 | 0.75 | 0.75 |
| Refrigerant | Type | R410A | R410A | R410A | R410A | R410A | R410A |
| | Control Method | EVI included | EVI included | EVI included | EVI included | EVI included | EVI included |
| Sound | Sound Pressure (M/PL) | (E)A1 38/35/32 | 38/35/32 | 38/35/32 | 39/35/33 | 39/35/33 | 40/37/33 |
| | Sound Power (Cooling) (Nominal) | (E)A1 44 | 45 | 46 | 46 | 47 | 49 |
| Dimensions | Net Weight | kg 33.0 | 38.0 | 38.0 | 46.5 | 46.5 | 46.5 |
| | Net Dimensions (W x H x D) | mm 1,300 x 300 x 700 | 1,300 x 300 x 700 | 1,300 x 300 x 700 | 1,300 x 300 x 700 | 1,300 x 300 x 700 | 1,300 x 300 x 700 |
| Air Filter | Type | Removable (Washable)/Mildew-proof | Removable (Washable)/Mildew-proof | Removable (Washable)/Mildew-proof | Removable (Washable)/Mildew-proof | Removable (Washable)/Mildew-proof | Removable (Washable)/Mildew-proof |
| | Accessories | MDP-G0750 (built-in) MDP-G0750P (external) | MDP-G0750 (built-in) MDP-G0750P (external) | MDP-G0750 (built-in) MDP-G0750P (external) | MDP-G0750 (built-in) MDP-G0750P (external) | MDP-G0750 (built-in) MDP-G0750P (external) | MDP-G0750 (built-in) MDP-G0750P (external) |

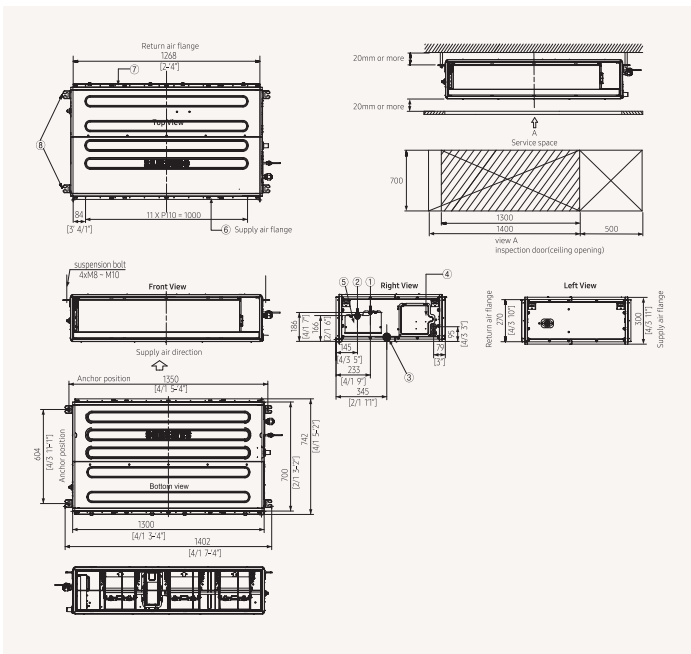
Accessories

| | | | | | | | | |
|-----------|-----------|--------------------------------------|----------|----------|------------|----------|-------------------------------------|---------|
| | | | | | | | | |
| MDP-G0750 | MDP-G0750 | AR-0103E To be matched with MR-0103E | MWR-011N | MWR-012N | MWR-0100-N | MH-0100N | MR-010N To be matched with AR-0103E | MWR-014 |

Technical Drawings

Duct S

AM12DHMPR/CL,AM12DHMPR/CL,AM12DHMPR/CL,AM12DHMPR/CL,AM12DHMPR/CL,AM12DHMPR/CL,AM12DHMPR/CL,AM12DHMPR/CL



| No | Name | Description |
|----|--|-------------------------------|
| 1 | Refrigerant liquid pipe | φ9.52 (3/8) Flare connection |
| 2 | Refrigerant gas pipe | φ15.88 (5/8) Flare connection |
| 3 | Condensate drain | VP25 (DD 32, ID 25) |
| 4 | Power supply/communication wiring conduits | |
| 5 | Refrigerant pipe conduits | |
| 6 | Supply air Flange | |
| 7 | Return air Flange | |
| 8 | HK-L | |



Specifications

LSP Slim Duct (drain pump excluded)

- Two-position field adjustable air return, on the bottom or at the rear of the unit.
- Equipped with one Sirocco fan direct driven by a single motor.
- Long-life washable HD 40 permanent filter is included.
- Auto Restart function.
- Optional condensate drain pump.



| Model | | AM079NLDEN/EU | AM0719NLDEN/EU | AM0819NLDEN/EU | AM0919NLDEN/EU | |
|--------------------------|------------------------------------|-------------------------|-------------------------|-------------------------|-------------------------|---------------------|
| Power Supply | Φ, R, V, Hz | 10, 2, 220-240 V, 50 Hz | 10, 2, 220-240 V, 50 Hz | 10, 2, 220-240 V, 50 Hz | 10, 2, 220-240 V, 50 Hz | |
| Performance | Capacity (Nominal) | Cooling kW | 1.7 | 2.2 | 2.8 | 3.6 |
| | Heating kW | 1.9 | 2.5 | 3.2 | 4 | |
| Power | Power Input (Nominal) | Cooling W | 55 | 55 | 60 | 65 |
| | Heating W | 55 | 55 | 60 | 65 | |
| | Current Input (Nominal) | Cooling A | 0.30 | 0.30 | 0.32 | 0.33 |
| | Heating A | 0.3 | 0.3 | 0.32 | 0.33 | |
| Fan | Motor | Type | - | Sirocco Fan | Sirocco Fan | Sirocco Fan |
| | Number of Fans | - | 1 | 1 | 1 | 1 |
| | Airflow Rate | m ³ /min | 5.5/4.3/3.2 | 7.0/6.1/5.3 | 7.5/6.6/5.6 | 7.5/6.6/5.6 |
| | H.M.F.L./D.L.I. | L/s | 91.67/71.67/53.33 | 116.67/101.67/88.33 | 125.00/110.00/93.33 | 125.00/110.00/93.33 |
| External Static Pressure | Min/Std/Max | mmAq | 0.00/1.00/3.00 | 0.00/1.00/3.00 | 0.00/1.00/3.00 | 0.00/1.00/3.00 |
| | Pa | 0.00/0.81/29.42 | 0.00/0.81/29.42 | 0.00/0.81/29.42 | 0.00/0.81/29.42 | |
| Piping Connections | Drain Pipe | Ø, mm | 0.00/0.02/0.118 | 0.00/0.02/0.118 | 0.00/0.02/0.118 | 0.00/0.02/0.118 |
| | Gas Pipe | Ø, mm | 6.35 | 6.35 | 6.35 | 6.35 |
| | Refrigerant | Ø, inch | 1/4 | 1/4 | 1/4 | 1/4 |
| | Power Source Wire | Below 20 m/over 20 m | mm ² | 1.5/2.5 | 1.5/2.5 | 1.5/2.5 |
| Wiring | Transmission Cable | mm ² | 0.75-1.50 | 0.75-1.50 | 0.75-1.50 | 0.75-1.50 |
| | Type | - | RA10A | RA10A | RA10A | RA10A |
| Control Method | - | EEV INCLUDED | EEV INCLUDED | EEV INCLUDED | EEV INCLUDED | |
| | Sound Pressure | (W/1/1) | dB(A) | 23/22/20 | 26/24/21 | 28/26/23 |
| Dimensions | Net Weight | kg | 19.0 | 19.0 | 19.0 | 19.5 |
| | Net Dimensions (W x H x D) | mm | 700 x 199 x 600 | 700 x 199 x 600 | 700 x 199 x 600 | 700 x 199 x 600 |
| Additional Accessories | Drain Pump | MDP-ED75SE30 | MDP-ED75SE30 | MDP-ED75SE30 | MDP-ED75SE30 | |
| | Max. Lifting Height / Displacement | mm / kg/m.h | 750/24 | 750/24 | 750/24 | 750/24 |
| Air Filter | - | Long-life Filter | Long-life Filter | Long-life Filter | Long-life Filter | |

| Model | AM0419NLDEN/EU | AM0519NLDEN/EU | AM0619NLDEN/EU | AM0819NLDEN/EU | AM1119NLDEN/EU | AM1219NLDEN/EU | AM1419NLDEN/EU | |
|--------------------------|------------------------------------|-------------------------|-------------------------|-------------------------|-------------------------|-------------------------|-------------------------|----------------------|
| Power Supply | 10, 2, 220-240 V, 50 Hz | 10, 2, 220-240 V, 50 Hz | 10, 2, 220-240 V, 50 Hz | 10, 2, 220-240 V, 50 Hz | 10, 2, 220-240 V, 50 Hz | 10, 2, 220-240 V, 50 Hz | 10, 2, 220-240 V, 50 Hz | |
| Performance | Cooling kW | 4.5 | 5.6 | 7.1 | 9 | 11.2 | 12.8 | |
| | Heating kW | 5 | 6.3 | 8 | 10 | 12.5 | 13.8 | |
| Power | Power Input (Nominal) | Cooling W | 90 | 95 | 120 | 170 | 190 | 200 |
| | Heating W | 90 | 95 | 120 | 170 | 200 | 220 | |
| | Current Input (Nominal) | Cooling A | 0.52 | 0.53 | 0.60 | 0.96 | 0.96 | 1.28 |
| | Heating A | 0.52 | 0.53 | 0.6 | 0.96 | 0.96 | 1.28 | |
| Fan | Motor | Type | - | Sirocco Fan | Sirocco Fan | Sirocco Fan | Sirocco Fan | |
| | Number of Fans | - | 1 | 1 | 1 | 1 | 1 | |
| | Airflow Rate | m ³ /min | 11.0/9.6/8.3 | 12.0/10.5/9.0 | 16.5/15.0/13.5 | 21.0/20.0/20.0 | 31.2/29.0/27.0 | 34.0/34.0/32.0 |
| | H.M.F.L./D.L.I. | L/s | 183.33/160.00/138.33 | 200.00/175.00/150.00 | 275.00/250.00/225.00 | 483.33/450.00/416.67 | 520.00/483.33/450.00 | 566.67/533.33/500.00 |
| External Static Pressure | Min/Std/Max | mmAq | 0.00/1.00/4.00 | 0.00/1.00/4.00 | 0.00/1.00/4.00 | 0.00/1.00/4.00 | 0.00/1.00/4.00 | |
| | Pa | 0.00/0.81/29.42 | 0.00/0.81/29.42 | 0.00/0.81/29.42 | 0.00/0.81/29.42 | 0.00/0.81/29.42 | 0.00/0.81/29.42 | |
| Piping Connections | Drain Pipe | Ø, mm | 0.00/0.02/0.157 | 0.00/0.02/0.157 | 0.00/0.02/0.157 | 0.00/0.02/0.157 | 0.00/0.02/0.157 | |
| | Gas Pipe | Ø, mm | 6.35 | 6.35 | 9.52 | 9.52 | 9.52 | |
| | Refrigerant | Ø, inch | 1/4 | 1/4 | 3/8 | 3/8 | 3/8 | |
| | Power Source Wire | Below 20 m/over 20 m | mm ² | 1.5/2.5 | 1.5/2.5 | 1.5/2.5 | 1.5/2.5 | |
| Wiring | Transmission Cable | mm ² | 0.75-1.50 | 0.75-1.50 | 0.75-1.50 | 0.75-1.50 | 0.75-1.50 | |
| | Type | - | RA10A | RA10A | RA10A | RA10A | RA10A | |
| Control Method | - | EEV INCLUDED | EEV INCLUDED | EEV INCLUDED | EEV INCLUDED | EEV INCLUDED | EEV INCLUDED | |
| | Sound Pressure | (W/1/1) | dB(A) | 35/31/28 | 36/34/31 | 38/36/33 | 37/36/34 | 37/36/34 |
| Dimensions | Net Weight | kg | 24.0 | 24.0 | 40.0 | 41.5 | 41.5 | |
| | Net Dimensions (W x H x D) | mm | 900 x 199 x 600 | 900 x 199 x 600 | 1300 x 199 x 600 | 1300 x 295 x 690 | 1300 x 295 x 690 | |
| Additional Accessories | Drain Pump | MDP-ED75SE30 | MDP-ED75SE30 | MDP-ED75SE30 | MDP-ED75SE30 | MDP-ED75SE30 | MDP-ED75SE30 | |
| | Max. Lifting Height / Displacement | mm / kg/m.h | 750/24 | 750/24 | 750/24 | 750/24 | 750/24 | |
| Air Filter | - | Long-life Filter | Long-life Filter | Long-life Filter | Long-life Filter | Long-life Filter | Long-life Filter | |

Accessories

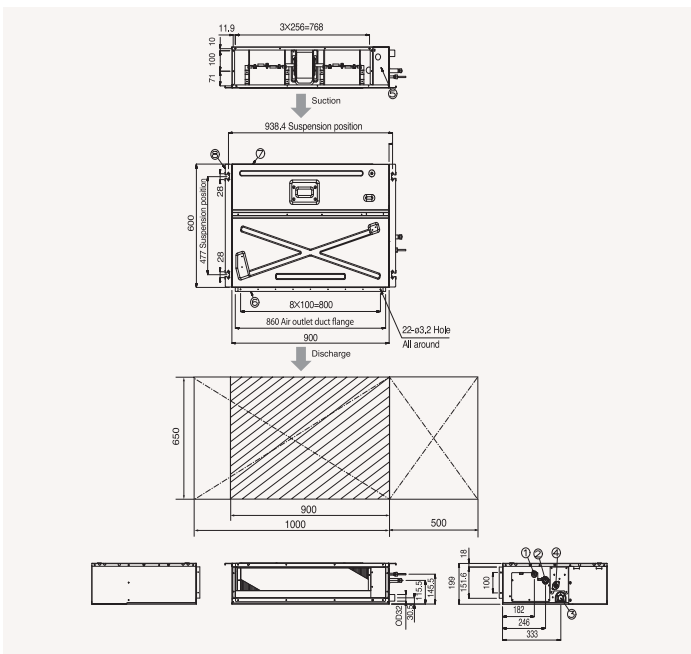


| Drain Pump (optional) | Wireless Remote Controller | Toxich Controller | Wireless Remote Controller | WiFi Remote Controller | WiFi Kit | Wireless Receiver Kit | External Thermostat |
|-----------------------|---------------------------------------|-------------------|----------------------------|------------------------|----------|---------------------------------------|---------------------|
| MDP-ED75SE30 | AR-CT03C (to be matched with MR-K10N) | MWR-SH1N | MWR-WE3N | MWR-WG00N | MW-K04EN | MR-K10N (to be matched with AR-CT03C) | MWR-04 |

Dimensional drawings

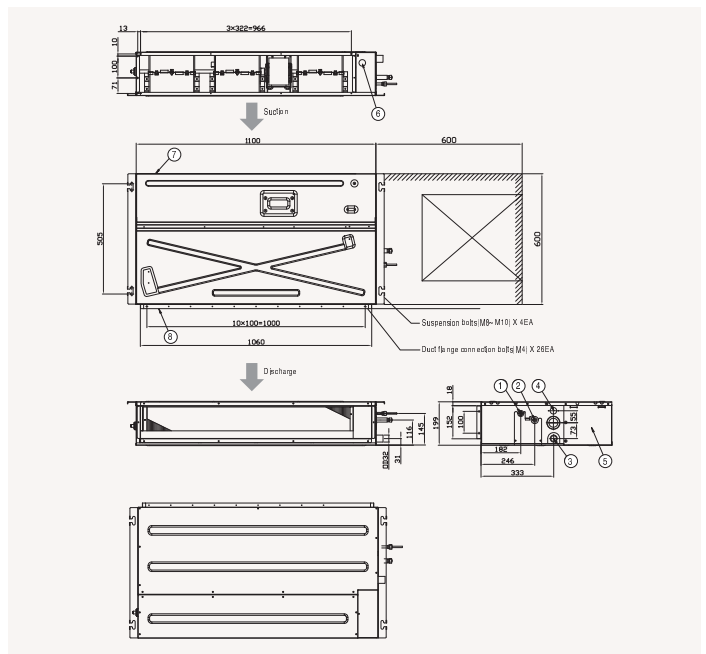
LSP Slim Duct (drain pump excluded)

A 405/204/16.50/1.63



| N.O | Name | Description |
|-----|--|---------------------|
| 1 | Liquid pipe connection | ø6.35 Flare |
| 2 | Gas pipe connection | ø12.30 Flare |
| 3 | Drain pipe connection without drain pump | VP25 (D0 32, ID 25) |
| 4 | Drain pipe connection with drain pump | VP25 (D0 32, ID 25) |
| 5 | Power supply/communication wiring conduits | |
| 6 | Air discharge grille flange | |
| 7 | Return air side | |
| 8 | Flt v | |

A 407/16.50/1.63



| N.O | Name | Description |
|-----|--|---------------------|
| 1 | Liquid pipe connection | ø9.52 Flare |
| 2 | Gas pipe connection | ø15.88 Flare |
| 3 | Drain pipe connection without drain pump | VP25 (D0 32, ID 25) |
| 4 | Drain pipe connection with drain pump | VP25 (D0 32, ID 25) |
| 5 | Power supply/communication wiring conduits | |
| 6 | Air discharge grille flange | |
| 7 | Return air side | |
| 8 | Flt v | |

Specifications

LSP Slim Duct (drain pump included)

- Two-position field adjustable air return, on the bottom or at the rear of the unit.
- Equipped with one Sirocco fan direct driven by a single motor.
- Long-life washable HD 40 permanent filter is included.
- Auto Restart function.
- Built-in condensation drain pump.



| Model | | AM07ANLDEH/EU | AM07ANLDDH/EU | AM07ANLDEH/EU | AM07ANLDDH/EU | | |
|-------------------------|----------------------------------|-------------------------|-------------------------|-------------------------|-------------------------|---------------------|--------|
| Power Supply | Φ, V, Hz | 10, 2, 220-240 V, 50 Hz | 10, 2, 220-240 V, 50 Hz | 10, 2, 220-240 V, 50 Hz | 10, 2, 220-240 V, 50 Hz | | |
| Performance | Capacity (Nominal) | Cooling | 1.7 | 2.2 | 2.8 | 3.6 | |
| | Heating | 1.9 | 2.5 | 3.2 | 4.0 | | |
| Power | Power Input (Nominal) | Cooling | 28 | 30 | 34 | 40 | |
| | Heating | 28 | 30 | 36 | 42 | | |
| Current Input (Nominal) | Cooling | A | 0.23 | 0.25 | 0.28 | 0.33 | |
| | Heating | 0.23 | 0.25 | 0.30 | 0.35 | | |
| Fan | Type | - | Sirocco Fan | Sirocco Fan | Sirocco Fan | Sirocco Fan | |
| | Motor | Output | W | 69 x 1 | 69 x 1 | 69 x 1 | 69 x 1 |
| | Airflow Rate | m ³ /min | 5.45/4.45/3.80 | 6.00/4.90/3.80 | 7.05/6.15/4.35 | 8.20/6.10/4.90 | |
| | External Static Pressure | Pa | 0.00/1.00/1.00 | 0.00/1.00/1.00 | 0.00/1.00/1.00 | 0.00/1.00/1.00 | |
| Piping Connections | Liquid Pipe | Ø, mm | 6.35 | 6.35 | 6.35 | 6.35 | |
| | Gas Pipe | Ø, mm | 12.70 | 12.70 | 12.70 | 12.70 | |
| | Drain Pipe | Ø, mm | VP25 (Ø0.32, ID 25) | VP25 (Ø0.32, ID 25) | VP25 (Ø0.32, ID 25) | VP25 (Ø0.32, ID 25) | |
| Field Wiring | Power Source Wire | mmf | 1.5-2.5 | 1.5-2.5 | 1.5-2.5 | 1.5-2.5 | |
| | Transmission Cable | mmf | 0.75-1.50 | 0.75-1.50 | 0.75-1.50 | 0.75-1.50 | |
| Refrigerant | Type | - | R410A | R410A | R410A | R410A | |
| Sound | Control Method | - | EEV INCLUDED | EEV INCLUDED | EEV INCLUDED | EEV INCLUDED | |
| | Sound Pressure | dB(A) | 25/22/19 | 26/23/19 | 28/24/19 | 31/26/20 | |
| | Sound Power | Cooling | 40 | 42 | 44 | 46 | |
| Dimensions | Net Weight | kg | 15.3 | 15.3 | 15.3 | 15.7 | |
| | Net Dimensions (W x H x D) | mm | 700 x 199 x 440 | 700 x 199 x 440 | 700 x 199 x 440 | 700 x 199 x 440 | |
| Accessories | Drain Pump | - | Included | Included | Included | Included | |
| | Max. Lifting Height/Displacement | mm / ft | 750/24 | 750/24 | 750/24 | 750/24 | |
| Air Filter | - | Filter Included | Filter Included | Filter Included | Filter Included | | |

| Model | | AM07ANLDEH/EU | AM07ANLDDH/EU | AM07ANLDEH/EU | AM07ANLDDH/EU | AM07ANLDEH/EU | AM07ANLDDH/EU | |
|-------------------------|----------------------------------|-------------------------|-------------------------|-------------------------|-------------------------|-------------------------|-------------------------|------|
| Power Supply | Φ, V, Hz | 10, 2, 220-240 V, 50 Hz | 10, 2, 220-240 V, 50 Hz | 10, 2, 220-240 V, 50 Hz | 10, 2, 220-240 V, 50 Hz | 10, 2, 220-240 V, 50 Hz | 10, 2, 220-240 V, 50 Hz | |
| Performance | Capacity (Nominal) | Cooling | 4.5 | 5.6 | 7.1 | 9.0 | 11.2 | 14.0 |
| | Heating | 5.0 | 6.3 | 8.0 | 10.0 | 12.5 | 16.0 | |
| Power | Power Input (Nominal) | Cooling | 90 | 95 | 120 | 170 | 220 | |
| | Heating | 90 | 95 | 120 | 170 | 220 | | |
| Current Input (Nominal) | Cooling | A | 0.32 | 0.33 | 0.40 | 0.56 | 0.76 | |
| | Heating | 0.32 | 0.33 | 0.40 | 0.56 | 0.76 | | |
| Fan | Type | - | Sirocco Fan | Sirocco Fan | Sirocco Fan | Sirocco Fan | Sirocco Fan | |
| | Motor | Output | W | 69 x 1 | 69 x 1 | 69 x 1 | 69 x 1 | |
| | Airflow Rate | m ³ /min | 11.00/9.60/8.30 | 12.00/10.50/9.00 | 14.50/13.00/11.50 | 19.00/17.00/15.00 | 24.00/21.00/18.00 | |
| | External Static Pressure | Pa | 0.00/2.00/4.00 | 0.00/2.00/4.00 | 0.00/2.00/4.00 | 0.00/2.00/4.00 | 0.00/2.00/4.00 | |
| Piping Connections | Liquid Pipe | Ø, mm | 6.35 | 6.35 | 6.35 | 6.35 | 6.35 | |
| | Gas Pipe | Ø, mm | 12.70 | 12.70 | 12.70 | 12.70 | 12.70 | |
| | Drain Pipe | Ø, mm | VP25 (Ø0.32, ID 25) | VP25 (Ø0.32, ID 25) | VP25 (Ø0.32, ID 25) | VP25 (Ø0.32, ID 25) | VP25 (Ø0.32, ID 25) | |
| Field Wiring | Power Source Wire | mmf | 1.5-2.5 | 1.5-2.5 | 1.5-2.5 | 1.5-2.5 | 1.5-2.5 | |
| | Transmission Cable | mmf | 0.75-1.50 | 0.75-1.50 | 0.75-1.50 | 0.75-1.50 | 0.75-1.50 | |
| Refrigerant | Type | - | R410A | R410A | R410A | R410A | R410A | |
| Sound | Control Method | - | EEV INCLUDED | EEV INCLUDED | EEV INCLUDED | EEV INCLUDED | EEV INCLUDED | |
| | Sound Pressure | dB(A) | 35/31/26 | 36/34/31 | 38/36/33 | 37/36/34 | 37/36/34 | |
| | Sound Power | Cooling | 53 | 55 | 57 | 66 | 68 | |
| Dimensions | Net Weight | kg | 24.5 | 24.5 | 24.5 | 24.5 | 24.5 | |
| | Net Dimensions (W x H x D) | mm | 900 x 199 x 600 | 900 x 199 x 600 | 1,300 x 199 x 600 | 1,300 x 295 x 690 | 1,300 x 295 x 690 | |
| Accessories | Drain Pump | - | Included | Included | Included | Included | Included | |
| | Max. Lifting Height/Displacement | mm / ft | 750/24 | 750/24 | 750/24 | 750/24 | 750/24 | |
| Air Filter | - | Filter Included | Filter Included | Filter Included | Filter Included | Filter Included | | |

Accessories



| External Drain Pump | Built-in Drain Pump | Wireless Remote Controller | Touch Controller | Wire Remote Controller | Wire Remote Controller | Wi-Fi Kit | Wireless Receiver Kit | External Thermistat |
|---------------------|---------------------|---|------------------|------------------------|------------------------|-----------|---|---------------------|
| MOP-0075P | MOP-0075S | AR-0002E To be matched with MRK-010N | MWR-0011N | MWR-WEI3N | MWR-00001N | MIN-004EN | MRK-010N To be matched with AR-0002E | MRE-01A |

Specifications

MSP Duct (drain pump excluded)

- Two-position field adjustable air return, on the bottom or at the rear of the unit.
- Equipped with one Sirocco fan directly driven by a single motor.
- Long-life washable permanent filter is included.
- Auto Restart function.
- Optional condensate drain pump.



| Model | | AM02FAMDCR/EE | AM02BAMDCR/EE | AM02PAMDCR/EE | |
|--------------------------|--|---------------------------|-------------------------|-------------------------|------------------|
| Power Supply | Φ, R, V, Hz | 10, 2, 220-240 V, 50 Hz | 10, 2, 220-240 V, 50 Hz | 10, 2, 220-240 V, 50 Hz | |
| Performance | Capacity (Nominal) | Cooling kW | 2.2 | 2.8 | 3.6 |
| | Heating kW | 2.5 | 3.2 | 4 | |
| Power | Power Input (Nominal) | Cooling W | 80 | 80 | 85 |
| | Heating W | 80 | 80 | 85 | |
| Capacity (Nominal) | Cooling A | 0.40 | 0.40 | 0.55 | |
| | Heating A | 0.40 | 0.40 | 0.55 | |
| Fan | Motor | Type | - | Sirocco Fan | Sirocco Fan |
| | Speed (RPM) | W | 69 x 1 | 69 x 1 | 102 x 1 |
| Airflow Rate | Number of Fans | - | 1 | 1 | 1 |
| | Flow Rate | m ³ /min | 8.50/7.50/6.30 | 10.00/9.20/7.50 | 12.00/10.20/8.80 |
| External Static Pressure | Min/Max | Pa | 0.00/19.61/58.84 | 0.00/19.61/58.84 | 0.00/19.61/58.84 |
| | W | mmAt | 0.00/2.00/6.00 | 0.00/2.00/6.00 | 0.00/2.00/6.00 |
| Piping Connections | Liquid Pipe | Ø, mm | 6.35 | 6.35 | 6.35 |
| | Gas Pipe | Ø, mm | 1/4 | 1/4 | 1/4 |
| Field Wiring | Power Service Wire | Ø, mm | 1/2 | 1/2 | 1/2 |
| | Transmission Cable | mm | 1.5/2.5 | 1.5/2.5 | 1.5/2.5 |
| Refrigerant | Type | - | R410A | R410A | |
| | Control Method | - | EEV INCLUDED | EEV INCLUDED | EEV INCLUDED |
| Sound | Sound Pressure | dB(A) | 23/23/19 | 24/22/19 | 29/23/24 |
| | Net Weight | kg | 23.5 | 23.5 | 28.0 |
| Additional Accessories | Drain Pump | mm | 900 x 199 x 600 | 900 x 199 x 600 | 900 x 199 x 600 |
| | Max. Air Flow (m ³ /h) / Displacement | mm ³ / liter/h | 750/24 | 750/24 | 750/24 |
| Air Filter | - | Long-life Filter | Long-life Filter | Long-life Filter | |

| Model | | AM02FAMDCR/EE | AM02BAMDCR/EE | AM02PAMDCR/EE | AM02FAMDCR/EE | AM02BAMDCR/EE | |
|--------------------------|--|---------------------------|-------------------------|-------------------------|-------------------------|-------------------------|-------------------|
| Power Supply | Φ, R, V, Hz | 10, 2, 220-240 V, 50 Hz | 10, 2, 220-240 V, 50 Hz | 10, 2, 220-240 V, 50 Hz | 10, 2, 220-240 V, 50 Hz | 10, 2, 220-240 V, 50 Hz | |
| Performance | Capacity (Nominal) | Cooling kW | 4.5 | 5.6 | 7.1 | 9 | 11.2 |
| | Heating kW | 5 | 6.3 | 8 | 10 | 12.5 | |
| Power | Power Input (Nominal) | Cooling W | 125 | 130 | 190 | 240 | 260 |
| | Heating W | 125 | 130 | 190 | 240 | 260 | |
| Capacity (Nominal) | Cooling A | 0.40 | 0.40 | 0.55 | 0.75 | 0.9 | |
| | Heating A | 0.40 | 0.40 | 0.55 | 0.75 | 0.9 | |
| Fan | Motor | Type | - | Sirocco Fan | Sirocco Fan | Sirocco Fan | |
| | Speed (RPM) | W | 69 x 1 | 69 x 1 | 102 x 1 | 130 x 1 | |
| Airflow Rate | Number of Fans | - | 1 | 1 | 1 | 1 | |
| | Flow Rate | m ³ /min | 14.00/12.00/10.50 | 14.50/13.00/11.50 | 18.50/17.00/15.50 | 19.50/18.00/16.50 | 27.00/25.00/23.00 |
| External Static Pressure | Min/Max | Pa | 0.00/19.61/58.84 | 0.00/19.61/58.84 | 0.00/19.61/58.84 | 0.00/19.61/58.84 | 0.00/19.61/58.84 |
| | W | mmAt | 0.00/2.00/6.00 | 0.00/2.00/6.00 | 0.00/2.00/6.00 | 0.00/2.00/6.00 | 0.00/2.00/6.00 |
| Piping Connections | Liquid Pipe | Ø, mm | 6.35 | 6.35 | 6.35 | 6.35 | |
| | Gas Pipe | Ø, mm | 1/4 | 1/4 | 3/8 | 3/8 | |
| Field Wiring | Power Service Wire | Ø, mm | 1/2 | 1/2 | 3/8 | 3/8 | |
| | Transmission Cable | mm | 1.5/2.5 | 1.5/2.5 | 1.5/2.5 | 1.5/2.5 | |
| Refrigerant | Type | - | R410A | R410A | R410A | R410A | |
| | Control Method | - | EEV INCLUDED | EEV INCLUDED | EEV INCLUDED | EEV INCLUDED | |
| Sound | Sound Pressure | dB(A) | 23/23/19 | 24/22/19 | 29/23/24 | 30/23/24 | |
| | Net Weight | kg | 23.5 | 23.5 | 28.0 | 32.0 | |
| Additional Accessories | Drain Pump | mm | 900 x 199 x 600 | 900 x 199 x 600 | 900 x 199 x 600 | 1,350 x 320 x 480 | |
| | Max. Air Flow (m ³ /h) / Displacement | mm ³ / liter/h | 750/24 | 750/24 | 750/24 | 750/24 | |
| Air Filter | - | Long-life Filter | Long-life Filter | Long-life Filter | Long-life Filter | Long-life Filter | |

Accessories



| Drain Pump (excluded) | Drain Pump (included) | Wireless Remote Controller | Touch Controller | Wired Remote Controller | Wired Remote Controller | WiFi Kit | Wireless Remote Kit | External Thermostat |
|-----------------------|-----------------------|---------------------------------|------------------|-------------------------|-------------------------|-----------|---------------------------------|---------------------|
| MDP-ED75SEE0 | MDP-AD75S0C0 | MR-RC02E | MRW-5HT1N | MRW-WEI3N | MRW-WE6991N | MRW-H04EN | MRW-H01R | MRW-04 |
| | | (to be matched with MR-RC-01DN) | | | | | (to be matched with MR-H-0103E) | |

Specifications

MSP Duct (drain pump included)

- Two-position field adjustable air return, on the bottom or at the rear of the unit.
- Equipped with one Sirocco fan direct driven by a single motor.
- Long-life washable permanent filter is included.
- Auto Restart function.
- Built-in condensation drain pump.



| Model | | | AM022ANRDE4/E3 | AM022ANRDE4/E2 | AM022ANRDE4/E1 |
|--------------------------|---------------------------|---------------------|-------------------------|-------------------------|-------------------------|
| Power Supply | Φ, 6, V, Hz | | 10, 2, 220-240 V, 50 Hz | 10, 2, 220-240 V, 50 Hz | 10, 2, 220-240 V, 50 Hz |
| Performance | Cs pack1 (Nominal) | Cooling | 2.2 | 2.8 | 3.6 |
| | | Heating | 2.5 | 3.2 | 4.0 |
| Power | Power Input (Nominal) | Cooling | 80 | 80 | 85 |
| | | Heating | 80 | 80 | 85 |
| Current Input (Nominal) | Cooling | A | 0.40 | 0.40 | 0.55 |
| | Heating | | | | |
| Motor | Type | - | Sirocco Fan | Sirocco Fan | Sirocco Fan |
| | Output in W | | 69 x 1 | 69 x 1 | 112 x 1 |
| Airflow Rate | Number of Fans | - | 1 | 1 | 1 |
| | Flow Rate | m ³ /min | 8.50/120/6.30 | 10.00/120/7.50 | 12.00/120/8.80 |
| External Static Pressure | Max. ΔP (UL) | Pa | 141.67/125.00/105.00 | 166.67/155.33/125.00 | 200.00/170.00/144.67 |
| | Min./Max. ΔP | mmAq | 0.00/2.00/6.00 | 0.00/2.00/6.00 | 0.00/2.00/6.00 |
| Piping Connections | Liquid Pipe | Ø, mm | 6.35 | 6.35 | 6.35 |
| | | Ø, inch | 1/4 | 1/4 | 1/4 |
| Gas Pipe | Ø, mm | 12.70 | 12.70 | 12.70 | |
| | Ø, inch | 1/2 | 1/2 | 1/2 | |
| Flex Wiring | Power Source Wire | mm ² | VP25 (OD 32, ID 25) | VP25 (OD 32, ID 25) | VP25 (OD 32, ID 25) |
| | Fluorination Cable | mm ² | 1.5-2.5 | 1.5-2.5 | 1.5-2.5 |
| Refrigerant | Type | - | R410A | R410A | R410A |
| | Control Method | - | EEV INCLUDED | EEV INCLUDED | EEV INCLUDED |
| Sound | Sound Pressure | IN/OUT | 23/21/19 | 24/22/19 | 26/23/24 |
| | Cooling | | 47 | 48 | 53 |
| Dimensions | Net Weight | kg | 24.0 | 24.0 | 24.0 |
| | Net Dimension (W x H x D) | mm | 900 x 199 x 400 | 900 x 199 x 400 | 900 x 199 x 400 |
| Accessories | Drain Pump | - | Included | Included | Included |

| Model | | | AM022ANRDE4/E3 | AM022ANRDE4/E2 | AM022ANRDE4/E1 | AM022ANRDE4/E0 | AM022ANRDE4/E0 |
|--------------------------|---------------------------|---------------------|-------------------------|-------------------------|-------------------------|-------------------------|-------------------------|
| Power Supply | Φ, 6, V, Hz | | 10, 2, 220-240 V, 50 Hz | 10, 2, 220-240 V, 50 Hz | 10, 2, 220-240 V, 50 Hz | 10, 2, 220-240 V, 50 Hz | 10, 2, 220-240 V, 50 Hz |
| Performance | Cs pack1 (Nominal) | Cooling | 4.5 | 5.6 | 7.1 | 9.0 | 11.2 |
| | | Heating | 5.0 | 6.3 | 8.0 | 10.0 | 12.5 |
| Power | Power Input (Nominal) | Cooling | 125 | 130 | 170 | 240 | 260 |
| | | Heating | 125 | 130 | 170 | 240 | 260 |
| Current Input (Nominal) | Cooling | A | 1.15 | 1.10 | 1.25 | 1.30 | 1.17 |
| | Heating | | | | | | |
| Motor | Type | - | Sirocco Fan | Sirocco Fan | Sirocco Fan | Sirocco Fan | Sirocco Fan |
| | Output in W | | 219 x 1 | 124 x 1 | 124 x 1 | 130 x 1 | 130 x 1 |
| Airflow Rate | Number of Fans | - | 3 | 1 | 1 | 1 | 1 |
| | Flow Rate | m ³ /min | 14.00/12.00/10.50 | 14.50/12.00/11.50 | 18.50/12.00/15.50 | 19.50/18.00/16.50 | 27.00/25.00/23.00 |
| External Static Pressure | Max. ΔP (UL) | Pa | 233.33/200.00/175.00 | 241.67/216.67/191.67 | 308.33/283.33/258.33 | 325.00/300.00/275.00 | 450.00/416.67/383.33 |
| | Min./Max. ΔP | mmAq | 0.00/4.00/6.00 | 0.00/4.00/6.00 | 0.00/4.00/6.00 | 4.00/6.00/8.00 | 4.00/6.00/12.00 |
| Piping Connections | Liquid Pipe | Ø, mm | 6.35 | 6.35 | 6.35 | 6.35 | 6.35 |
| | | Ø, inch | 1/4 | 1/4 | 1/4 | 5/8 | 5/8 |
| Gas Pipe | Ø, mm | 12.70 | 12.70 | 15.88 | 15.88 | 15.88 | |
| | Ø, inch | 1/2 | 1/2 | 5/8 | 5/8 | 5/8 | |
| Flex Wiring | Power Source Wire | mm ² | VP25 (OD 32, ID 25) | VP25 (OD 32, ID 25) | VP25 (OD 32, ID 25) | VP25 (OD 32, ID 25) | VP25 (OD 32, ID 25) |
| | Fluorination Cable | mm ² | 1.5-2.5 | 1.5-2.5 | 1.5-2.5 | 1.5-2.5 | 1.5-2.5 |
| Refrigerant | Type | - | R410A | R410A | R410A | R410A | R410A |
| | Control Method | - | EEV INCLUDED | EEV INCLUDED | EEV INCLUDED | EEV INCLUDED | EEV INCLUDED |
| Sound | Sound Pressure | IN/OUT | 32/30/28 | 35/33/31 | 39/35/31 | 40/37/34 | 41/40/38 |
| | Cooling | | 54 | 57 | 61 | 63 | 66 |
| Dimensions | Net Weight | kg | 28.5 | 28.5 | 28.5 | 32.5 | 36.0 |
| | Net Dimension (W x H x D) | mm | 900 x 260 x 480 | 900 x 260 x 480 | 900 x 260 x 480 | 1150 x 260 x 480 | 1150 x 220 x 480 |
| Accessories | Drain Pump | - | Included | Included | Included | Included | Included |

Accessories

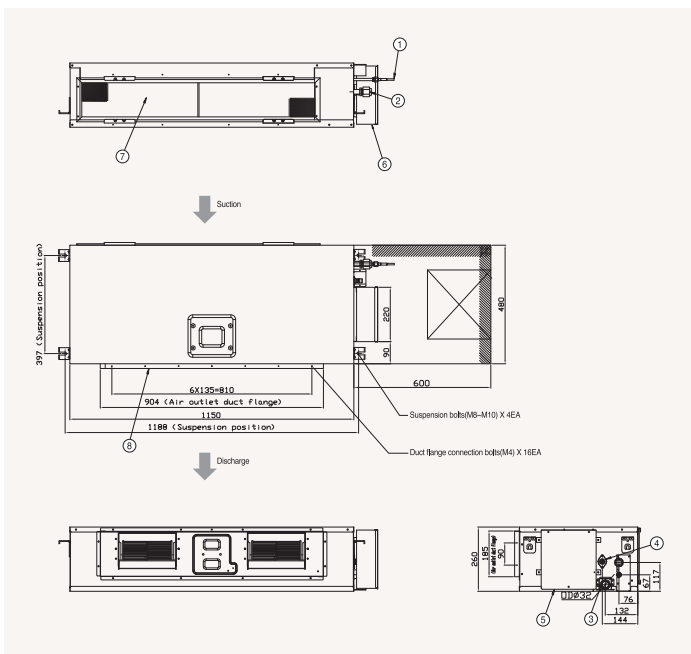


| Drain Pump (Included) | Drain Pump (Not Included) | Wireless Remote Controller | Touch Controller | Wired Remote Controller | Wired Remote Controller | Wi-Fi Kit | Wireless Remote Kit | External Thermostat |
|-----------------------|---------------------------|-------------------------------|------------------|-------------------------|-------------------------|-----------|--|---------------------|
| MDP-001SE03 | MDP-001SS010 | (to be matched with MRK-010N) | MWR-001T1N | MWR-001E1N | MWR-001E01N | MW-K-010N | MWR-010N (to be matched with MR-010SE) | MWR-01 |

Dimensional drawings

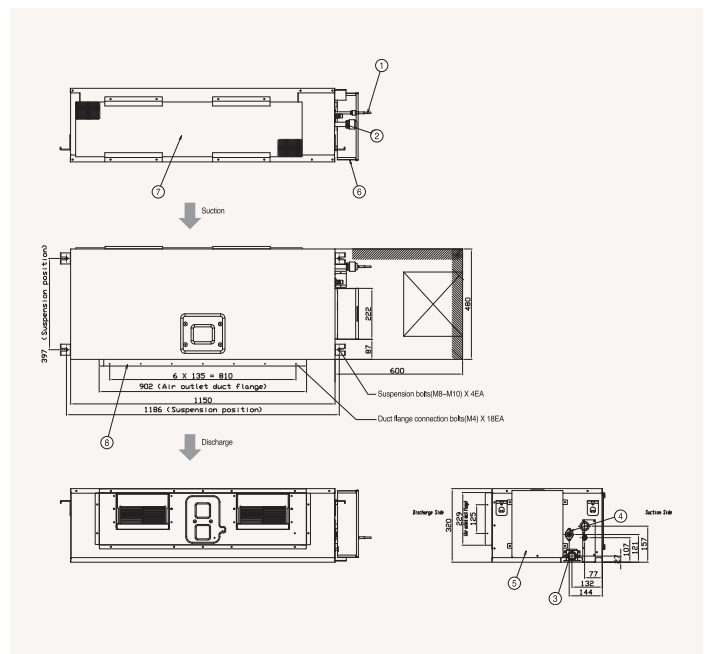
MSP Duct

AH010 (M02) (E1)



| N° | Name | Description |
|----|--|---------------------|
| 1 | Liquid pipe connection | #952 Flare |
| 2 | Gas pipe connection | #1533 Flare |
| 3 | Drain pipe connection without drain pump | VP25 (D0 32, ID 25) |
| 4 | Drain pipe connection with drain pump | VP25 (D0 32, ID 25) |
| 5 | Control unit | - |
| 6 | Power supply/communication wiring conduits | - |
| 7 | Return air side | - |
| 8 | Air outlet duct flange | - |

AH112 (M02) (E2)

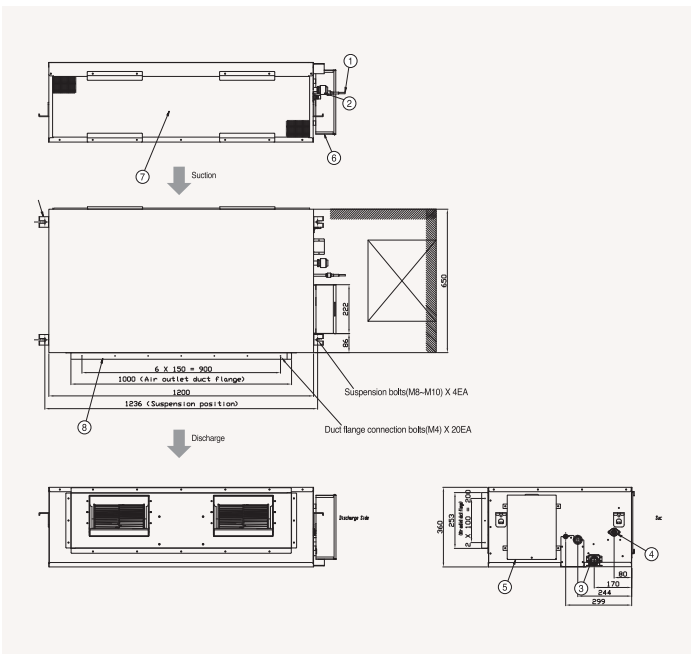


| N° | Name | Description |
|----|--|---------------------|
| 1 | Liquid pipe connection | #952 Flare |
| 2 | Gas pipe connection | #1533 Flare |
| 3 | Drain pipe connection without drain pump | VP25 (D0 32, ID 25) |
| 4 | Drain pipe connection with drain pump | VP25 (D0 32, ID 25) |
| 5 | Control unit | - |
| 6 | Power supply/communication wiring conduits | - |
| 7 | Return air side | - |
| 8 | Air outlet duct flange | - |

Dimensional drawings

MSP Duct

J-WELD/02/00/REV001/02



| No | Name | Description |
|----|--|---------------------|
| 1 | Liquid pipe connection | ø95 Flare |
| 2 | Gas pipe connection | ø115 Flare |
| 3 | Drain pipe connection without drain pump | VP25 Ø20 32, ID 253 |
| 4 | Drain pipe connection with drain pump | VP25 Ø20 32, ID 253 |
| 5 | Control unit | |
| 6 | Power supply/communication wiring conduits | |
| 7 | Return air pipe | |
| 8 | Air outlet duct flange | |



Specifications

HSP Duct

- Two-position field adjustable air return, on the bottom or at the rear of the unit.
- Equipped with two Sirocco fans direct driven by a single motor.
- Auto Restart function.
- Optional condensate drain pump.
- Long-life HD 40 permanent filter is included.



| Model | | | AM12RN HSDR/GU | AM12RN HD EXED | AM40RN HSDR/GU |
|-------------------------------------|---------------------------|---------------------|-------------------------|-------------------------|-------------------------|
| Power Supply | | Φ, V, Hz | 10, 2, 220-240 V, 50 Hz | 10, 2, 220-240 V, 50 Hz | 10, 2, 220-240 V, 50 Hz |
| Performance | Cooling (Nominal) | Cooling kW | 11.2 | 12.8 | 14 |
| | Heating | Heating kW | 12.5 | 13.8 | 16.8 |
| Power | Power Input (Nominal) | Cooling W | 570 | 560 | 625 |
| | Current Input (Nominal) | Heating W | 570 | 560 | 625 |
| Fan | Cooling | A | 3.60 | 3.75 | 3.90 |
| | Heating | A | 3.60 | 3.75 | 3.90 |
| Motor | Type | | Sirocco Fan/AC | Sirocco Fan/AC | Sirocco Fan/AC |
| | Output | W | - | - | - |
| Airflow Rate | Number of Fans | | 2 | 2 | 2 |
| | Flow Rate | m ³ /min | 32/27/23 | 35/31/26 | 39/33/28 |
| External Static Pressure | 1/3 | Pa | 533.33/450.00/383.33 | 583.33/516.67/446.67 | 650.00/550.00/466.67 |
| | Max | mmAq | 5.00/10.00/20.00 | 5.00/10.00/20.00 | 5.00/10.00/20.00 |
| Piping Connection | Level Pipe | Pa | 49.00/98.30/196.10 | 49.00/98.30/196.10 | 49.00/98.30/196.10 |
| | Gas Pipe | mm | 9.52 | 9.52 | 9.52 |
| Heat Wiring | Power Source Wire | mm ² | 1.5/2.5 | 1.5/2.5 | 1.5/2.5 |
| | Transmission Cable | mm ² | 0.75-1.50 | 0.75-1.50 | 0.75-1.50 |
| Refrigerant | Type | | R410A | R410A | R410A |
| | Control Method | | EEV | EEV | EEV |
| Sound | Sound Pressure | 14/10/1 | 41/41/39 | 45/43/42 | 46/45/44 |
| | Net Weight | kg | 570 | 570 | 570 |
| Accessories | Net Dimension (W x H x D) | mm | 1,200 x 360 x 650 | 1,200 x 360 x 650 | 1,200 x 360 x 650 |
| | Drain Pump | Drain Pump | - | Optional/MDP-MD75SGUD | Optional/MDP-MD75SGUD |
| Max. Refrigerant Charge / Discharge | mm ² / kg | | 750/24 | 750/24 | 750/24 |
| | Long-life Filter | | - | Long-life Filter | Long-life Filter |

| Model | | | AM210RN HSDR/GU | AM200RN HSDR/GU |
|-------------------------------------|---------------------------|---------------------|-------------------------|--------------------------|
| Power Supply | | Φ, V, Hz | 10, 2, 220-240 V, 50 Hz | 10, 2, 220-240 V, 50 Hz |
| Performance | Cooling (Nominal) | Cooling kW | 22.4 | 28 |
| | Heating | Heating kW | 25.0 | 31.5 |
| Power | Power Input (Nominal) | Cooling W | 530 | 790 |
| | Current Input (Nominal) | Heating W | 530 | 790 |
| Fan | Cooling | A | 3.80 | 5.90 |
| | Heating | A | 3.80 | 5.90 |
| Motor | Type | | Sirocco Fan | Sirocco Fan |
| | Output | W | 400 | 400 |
| Airflow Rate | Number of Fans | | 3 | 3 |
| | Flow Rate | m ³ /min | 58/52/47 | 72/65/58 |
| External Static Pressure | 1/3 | Pa | 966.67/866.67/783.33 | 1,200.00/1,083.33/966.67 |
| | Max | mmAq | 5.00/15.00/25.00 | 5.00/15.00/25.00 |
| Piping Connection | Level Pipe | Pa | 49.03/147.10/245.17 | 49.03/147.10/224.59 |
| | Gas Pipe | mm | 9.52 | 9.52 |
| Heat Wiring | Power Source Wire | mm ² | 1.5/2.5 | 1.5/2.5 |
| | Transmission Cable | mm ² | 0.75-1.50 | 0.75-1.50 |
| Refrigerant | Type | | R410A | R410A |
| | Control Method | | EEV INCLUDED | EEV INCLUDED |
| Sound | Sound Pressure | 14/10/1 | 45/43/41 | 48/46/45 |
| | Net Weight | kg | 890 | 890 |
| Accessories | Net Dimension (W x H x D) | mm | 1,240 x 470 x 1,040 | 1,240 x 470 x 1,040 |
| | Drain Pump | Drain Pump | - | Optional/MDP-MD475NCTD |
| Max. Refrigerant Charge / Discharge | mm ² / kg | | 750/24 | 750/24 |
| | Long-life Filter | | - | - |

Accessories

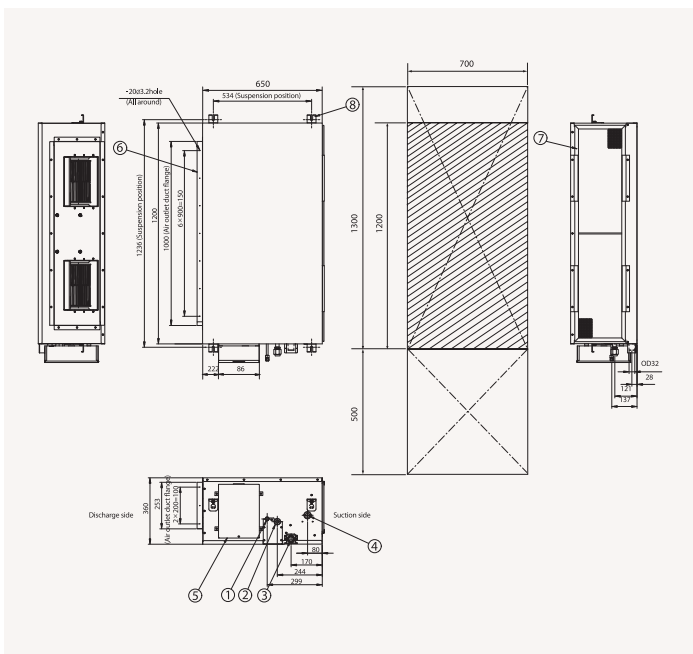


| Drain Pump (optional) | Drain Pump (optional) | Wireless Remote Controller | Touch Controller | Wireless Remote Controller | Wireless Remote Controller | Wi-Fi Kit | Wireless Receiver Kit | External Thermostat |
|-----------------------|-----------------------|---|------------------|----------------------------|----------------------------|-----------|--|---------------------|
| MDP-MD75SGUD | MDP-MD75SGUD | MR-EH03E (to be matched with MR-EH01N) | MR-SHT11N | MR-WIE13H | MR-WIG0014 | MR-H04CN | MR-R01N (to be matched with MR-EH03E) | MRW-04 |

Dimensional drawings

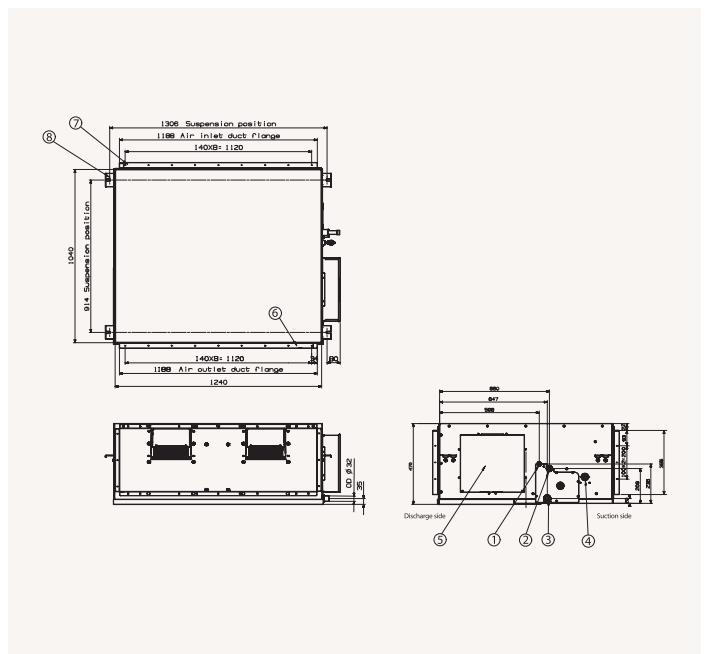
HSP Duct

A4121/200PHE024***



| N° | Name | Description |
|----|--|---------------------|
| 1 | Liquid pipe connection | #952 (3/8) |
| 2 | Gas pipe connection | #75 (3/8 (5/8)) |
| 3 | Drain pipe connection without optional drain pump kits | VP25 (OD 32, ID 25) |
| 4 | Drain pipe connection with optional drain pump kits | VP25 (OD 32, ID 25) |
| 5 | Power supply/communication wiring conduits | |
| 6 | Air discharge grille flange | |
| 7 | Suction flange | 3/8 or M10 |
| 8 | H.L.V. | |

A4120/200PHE024***



| N° | Name | Description |
|----|--|--|
| 1 | Liquid pipe connection | #952 (3/8) |
| 2 | Gas pipe connection | AM220*** #750 (3/4), AM430*** #22.22 (7/8) |
| 3 | Drain pipe connection without optional drain pump kits | VP25 (OD 32, ID 25) |
| 4 | Drain pipe connection with optional drain pump kits | VP25 (OD 32, ID 25) |
| 5 | Power supply/communication wiring conduits | |
| 6 | Air discharge grille flange | |
| 7 | Suction flange | 3/8 or M10 |
| 8 | H.L.V. | |

Specifications

Big Duct

- Two-position field adjustable air return, on the bottom or at the rear of the unit.
- Equipped with two Sirocco fans direct driven by a single motor.
- Auto Restart Function.
- Optional condensate drain pump.
- Long-life HD 40 permanent filter is included.



| Model | | | AM18241NF/KN/ED | AM241NF/KN/ED | |
|-------------------------|-----------------------|----------------------------|-------------------------|--------------------------|-------------------|
| Power Supply | | Φ, V, Hz | 10, 2, 220-240 V, 50 Hz | 10, 2, 220-240 V, 50 Hz | |
| Performance | Capacity / Nominal | Cooling | kW | 18 | 22.4 |
| | | Heating | kW | 20 | 25 |
| Power | Power Input / Nominal | Cooling | W | 340 | 530 |
| | | Heating | W | 340 | 530 |
| Current Input / Nominal | Cooling | A | 1.90 | 2.90 | |
| | | Heating | A | 1.90 | 2.90 |
| Fan | Motor | Type | - | Sirocco Fan | Sirocco Fan |
| | | Airflow Rate | Output in | W | 630 x 1 |
| Airflow Rate | M, M/L, L/G/L | m ³ /min | 58.00/50.00/44.00 | 72.00/61.00/50.00 | |
| | | l/s | 966.67/833.33/736.67 | 1,200.00/1,016.67/833.33 | |
| | | External Static Pressure | Mda/Std/Msa | mmAa | 5.00/3.40/2.00 |
| Piping Connections | Liquid Pipe | a, mm | 9.52 | 9.52 | |
| | | a, inch | 3/8 | 3/8 | |
| Gas Pipe | a, mm | 19.05 | 19.05 | | |
| | a, inch | 3/4 | 3/4 | | |
| Drain Pipe | a, mm | VP25 (OD 25, ID 20) | VP25 (OD 25, ID 20) | | |
| | Power Source Wire | mm ² | - | - | |
| Transmission Cable | mm | 0.75-1.50 | 0.75-1.50 | | |
| | Type | - | RS48A | RS48A | |
| Refrigerant | Control Method | - | EEV03 | EEV03 | |
| | | Sound * | Sound Pressure | l/h/W/L | dB(A) |
| Dimensions | Net Weight | kg | 82.5 | 82.5 | |
| | | Net Dimensions (W x H x D) | mm | 1,350 x 450 x 910 | 1,350 x 450 x 910 |
| Add-Ons / Accessories | Drain Pump | Internal | - | MDP-G075SP | M2P-G075SP |
| | | External | - | MDP-G075SQ | MDP-G075SQ |

Accessories

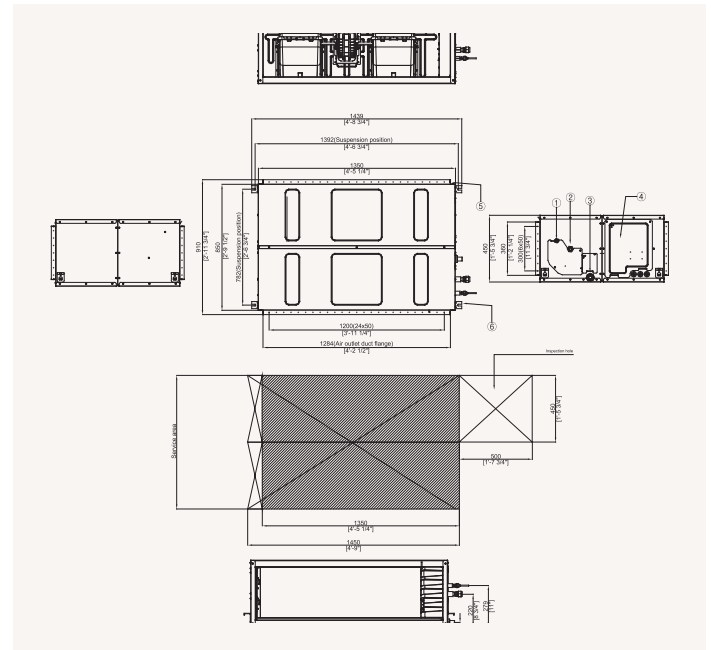


| External Drain Pump | Built-in Drain Pump | Wireless Remote Controller | Touch Controller | Wire Remote Controller | Wire Remote Controller | Wi-Fi Kit | Wireless Receiver Kit | External Thermostat |
|---------------------|---------------------|--|------------------|------------------------|------------------------|-----------|--|---------------------|
| MDP-G075SP | MDP-G075SQ | ARC-RC03E To be matched with MRC-K10N | MWR-SHT1N | MWR-WET3N | MWR-WG0001N | MIM-H04EN | MRC-K10N To be matched with ARC-RC03E | MWR-ET |

Dimensional drawings

Big Duct

AM18241NF/KN/ED, AM241NF/KN/ED



| N.O | Name |
|-----|------------------------|
| 1 | Liquid pipe connection |
| 2 | Gas pipe connection |
| 3 | Drain pipe connection |
| 4 | Power wiring conduits |
| 5 | Air discharge flange |
| 6 | Filter |

Specifications

Console

- SPI Ioniser for air purification included as standard.
- Slim design: only 100 mm in width.
- Turbo fan with single-phase inverter motor.
- Two separate air outlets to avoid stratification.
- Long-life washable permanent filter.
- Compatible with Wi-Fi Kit controller.
- Auto Restart function.



| Model | | | AWD22AN/DCH/EU | AWD24N/DCH/EU | AWD26N/DCH/EU | AWD28N/DCH/EU | AWD30N/DCH/EU |
|-------------------------|----------------------------|------------|-------------------------|-------------------------|-------------------------|-------------------------|-------------------------|
| Power Supply | | Φ, V, Hz | 10, 2, 220-240 V, 50 Hz | 10, 2, 220-240 V, 50 Hz | 10, 2, 220-240 V, 50 Hz | 10, 2, 220-240 V, 50 Hz | 10, 2, 220-240 V, 50 Hz |
| Performance | Capacity (Nominal) | Cooling kW | 2.2 | 2.8 | 3.6 | 4.5 | 5.6 |
| | | Heating kW | 2.5 | 3.2 | 4 | 5 | 6.3 |
| Power | Power Input (Nominal) | W | 16 | 30 | 35 | 36 | 62 |
| | | Heating W | 16 | 30 | 35 | 36 | 62 |
| Current Input (Nominal) | Cooling A | A | 0.13 | 0.25 | 0.29 | 0.30 | 0.49 |
| | | Heating A | 0.13 | 0.25 | 0.29 | 0.30 | 0.49 |
| Fan | Motor Type | - | Turbo Fan | Turbo Fan | Turbo Fan | Turbo Fan | Turbo Fan |
| | Output in W | W | 37 x 1 | 37 | 37 | 37 x 1 | 37 |
| | Number of Fans | - | 1 | 1 | 1 | 1 | |
| Airflow Rate | m³/min | m³/min | 6.30/5.40/4.90 | 7.00/6.00/5.00 | 8.50/7.50/6.50 | 11.30/9.80/8.20 | 13.00/11.50/10.00 |
| | l/s | l/s | 105.00/90.00/81.67 | 116.67/100.00/83.33 | 141.67/125.00/108.33 | 188.33/163.33/136.67 | 216.67/191.67/166.67 |
| Piping Connections | Liquid Pipe | Ø, mm | 6.35 | 6.35 | 6.35 | 6.35 | 6.35 |
| | | Ø, inch | 1/4 | 1/4 | 1/4 | 1/4 | 1/4 |
| Gas Pipe | Ø, mm | Ø, mm | 12.7 | 12.7 | 12.7 | 12.7 | 12.7 |
| | | Ø, inch | 1/2 | 1/2 | 1/2 | 1/2 | 1/2 |
| Field Wiring | Drain Pipe | Ø, mm | ID18 HOSE | ID18 HOSE | ID18 HOSE | ID18 HOSE | ID18 HOSE |
| | Power Source Wire | mm² | 1.5-2.5 | 1.5-2.5 | 1.5-2.5 | 1.5-2.5 | 1.5-2.5 |
| Transmission Cable | Transmission Cable | mm² | 0.75-1.50 | 0.75-1.50 | 0.75-1.50 | 0.75-1.50 | 0.75-1.50 |
| | Refrigerant Type | - | R410A | R410A | R410A | R410A | R410A |
| Sensors | Control Method | - | EUV INCLUDED | EUV INCLUDED | EUV INCLUDED | EUV INCLUDED | EUV INCLUDED |
| | Pressure | IN/NI/LO | 34/32/30 | 38/36/34 | 39/37/34 | 42/39/36 | 43/40/37 |
| Dimensions | Power | Cooling | 52 | 58 | 59 | 63 | 64 |
| | Net Weight | kg | 15.3 | 16.8 | 16.8 | 16.8 | 16.8 |
| Accessories | Net Dimensions (W x H x D) | mm | 720 x 620 x 199 | 720 x 620 x 199 | 720 x 620 x 199 | 720 x 620 x 199 | 720 x 620 x 199 |
| | Air Filter | - | - | Long-life Filter | Long-life Filter | - | Long-life Filter |

Accessories

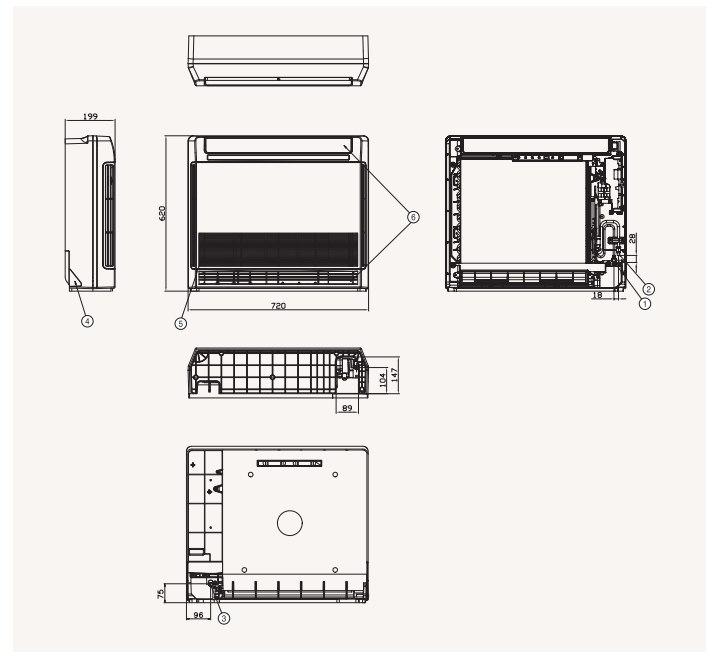


| Touch Controller | Wired Remote Controller | Wi-Fi Kit | Energy Thermostat |
|------------------|-------------------------|-----------|-------------------|
| MWR-6417A | MWR-6015N | MW-6009N | MWR-64 |

Dimensional drawings

Console

AWD22AN/DCH/EU, AWD24N/DCH/EU

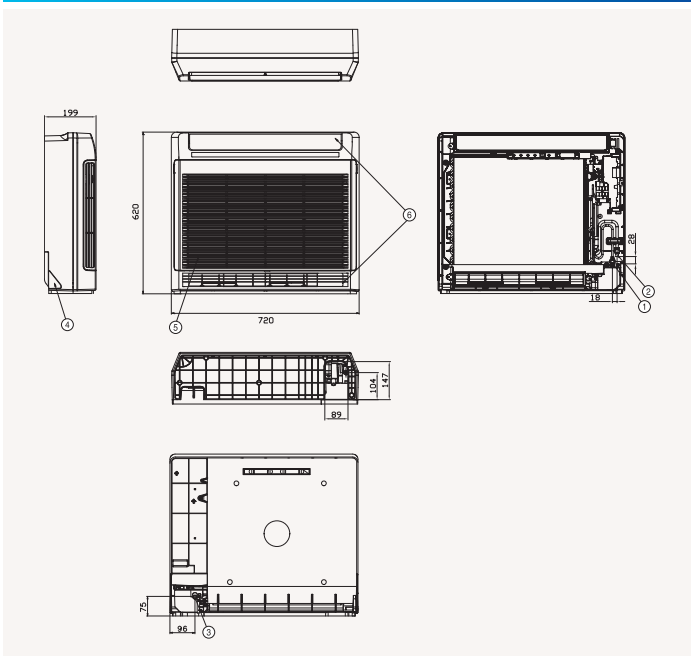


| ID | Name | Description |
|----|--|--------------|
| 1 | Liquid pipe connection | Ø6.35 Flare |
| 2 | Gas pipe connection | Ø12.70 Flare |
| 3 | Drain pipe connection | ID 18 Hose |
| 4 | Power supply/communication wiring conduits | |
| 5 | Air inlet grille | |
| 6 | Air outlet louvre | |

Dimensional drawings

Console

AH05P12C01.01



| N° | Nome | Descrizione |
|----|--|--------------|
| 1 | Liquid pipe connection | ø63.5 Flare |
| 2 | Gas pipe connection | ø12.30 Flare |
| 3 | Drain pipe connection | ID 18 Hose |
| 4 | Power supply/communication wiring conduits | |
| 5 | Air inlet grille | |
| 6 | Air outlet louvre | |



Specifications

Floor/Ceiling

- Optional vertical or horizontal installation.
- Air supply by means of one adjustable blade.
- Reduced noise thanks to the remotely controlled optional EEV.
- Sirocco Fan direct driven by a single motor.

- Long-life washable HD 40 permanent filter is included.
- Compatible with Wi-Fi Kit controller.



| Model | | | AM01FACD/EV | AM01FACD/EV2 | |
|-------------------------|-----------------------|----------------------------|-------------------------|-------------------------|-------------------|
| Power Supply | | Φ, V, Hz | 10, 2, 220-240 V, 50 Hz | 10, 2, 220-240 V, 50 Hz | |
| Performance | Capacity / Nominal | Cooling | kW | 5.6 | 7.1 |
| | | Heating | kW | 6.3 | 8.0 |
| Power | Power Input / Nominal | Cooling | W | 72 | 80 |
| | | Heating | W | 72 | 77 |
| Current Input / Nominal | | Cooling | A | 0.33 | 0.35 |
| | | Heating | A | 0.28 | 0.29 |
| Fan | Motor | Type | - | Sirocco Fan | Sirocco Fan |
| | | Output | W | 60 | 130 |
| | | No. of Fan Blades | - | 1 | 1 |
| Airflow Rate | m ³ /min | 14.00/15.00/12.00 | | 18.00/16.50/15.00 | |
| | | l/s | 233.33/216.67/200.00 | 300.00/275.00/250.00 | |
| Piping Connections | Liquid Pipe | φ, mm | 6.35 | 9.52 | |
| | | φ, inch | 1/4 | 3/8 | |
| | Gas Pipe | φ, mm | 12.70 | 15.88 | |
| | | φ, inch | 1/2 | 5/8 | |
| Drain Pipe | φ, mm | Ø18 HOSE | Ø18 HOSE | | |
| Field Wiring | Power Source Wire | Below 20 m/over 20 m | mm ² | 1.5/2.5 | 1.5/2.5 |
| | | Transmission Cable | mm ² | 0.75-1.50 | 0.75-1.50 |
| Refrigerant | Type | - | R410A | R410A | |
| | | Control Method | - | EEV NOT INCLUDED | EEV NOT INCLUDED |
| Signal | Signal Pressure | IN/K/LI | Ø1/1 | 44/42/40 | |
| | | Ø1/1 | 40/37/34 | 44/42/40 | |
| Dimensions | Net Weight | | kg | 21.0 | 21.0 |
| | | Net Dimensions (W x H x D) | mm | 1,000 x 650 x 200 | 1,000 x 650 x 200 |
| Accessories | Air Filter | - | Long-life Filter | Long-life Filter | |

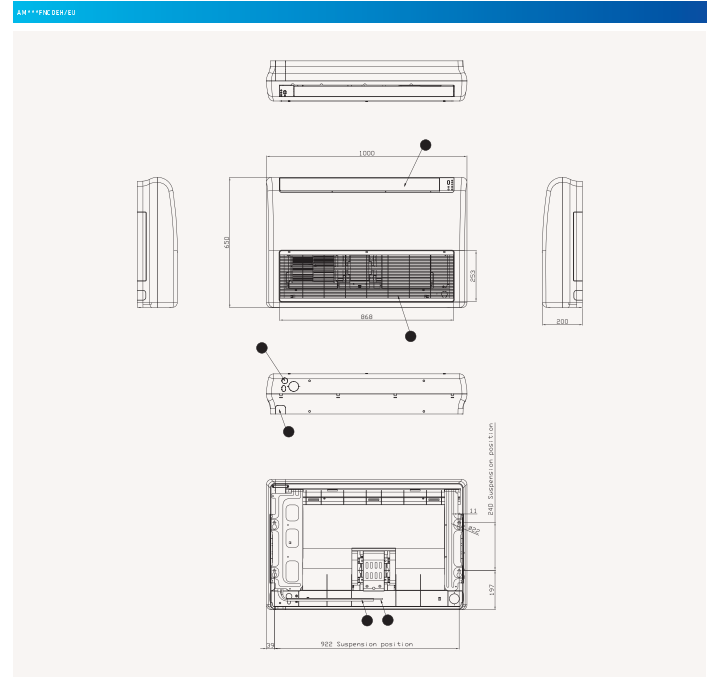
Accessories



| Touch Controller | Wired Remote Controller | Wi-Fi Remote Controller | Wi-Fi Kit | Ethernet Thermostat |
|------------------|-------------------------|-------------------------|-----------|---------------------|
| MWR-0417N | MWR-0413N | MWR-0403D-N | MW-0408N | MWR-04 |

Dimensional drawings

Floor/Ceiling



| NO | Name | Description | |
|----|--|--------------|--------------|
| | | 5.6 kW | 7.1 kW |
| 1 | Liquid pipe connection | ø6.35 Flare | ø7.52 Flare |
| 2 | Gas pipe connection | ø12.70 Flare | ø15.88 Flare |
| 3 | Drain pipe connection | Ø18 Hose | |
| 4 | Power supply/communication wiring conduits | | |
| 5 | Air inlet grille | | |
| 6 | Air outlet louvre | | |

Specifications

Big Ceiling

- Horizontal installation only.
- Air supply by means of one adjustable blade.
- Sirocco fan direct driven by a single motor.
- Long-life washable HD 40 permanent filter is included.

- Compatible with Wi-Fi Kit controller.



| Model | | | AM1121N/CCKR/ED | AM1410N/CCKR/ED | |
|-------------------------|-----------------------|---------------------|---------------------------|---------------------------|-------------|
| Power Supply | | Φ, V, Hz | 10, 2, 220-240 V, 50 Hz | 10, 2, 220-240 V, 50 Hz | |
| Performance | Capacity (Nominal) | Cooling | kW | 11.2 | 14.0 |
| | | Heating | kW | 12.5 | 16.0 |
| Power | Power Input (Nominal) | Cooling | W | 92.0 | 160.0 |
| | | Heating | W | 90.0 | 160.0 |
| Current Input (Nominal) | Cooling | A | 0.94 | 1.45 | |
| | | Heating | A | 0.83 | 1.45 |
| Fan | Motor | Type | - | Sirocco Fan | Sirocco Fan |
| | | Output | W | 260 x 1 | 260 x 1 |
| Airflow Rate | m ³ /min | h, M, A, 10 U | 29, 30, 23, 9, 0, 16, 50 | 34, 40, 30, 20, 26, 60 | |
| | | h, M, A, 10 U | 488, 51, 198, 51, 108, 53 | 604, 67, 515, 53, 423, 53 | |
| Piping Connections | Liquid Pipe | φ, mm | 9.52 | 9.52 | |
| | | φ, inch | 3/8 | 3/8 | |
| | Gas Pipe | φ, mm | 15.88 | 15.88 | |
| | | φ, inch | 5/8 | 5/8 | |
| Drain Pipe | φ, mm | VP25 (OD 25, ID 20) | VP25 (OD 25, ID 20) | | |
| | Power Source Wire | mm ² | 1.5/2.5 | 1.5/2.5 | |
| Transmission Cable | mm ² | 0.75-1.50 | 0.75-1.50 | | |
| | Type | - | R410A | R410A | |
| Control Method | - | EER INCLUDED | EER INCLUDED | | |
| | Control Method | - | EER INCLUDED | EER INCLUDED | |
| Sound Power | dB(A) | h, M, 10 U | 40, 40, 37 | 40, 43, 38 | |
| | | Cooling | 45 | 45 | |
| Net Weight | kg | | 33.5 | 42.5 | |
| | | mm | 1,350 x 235 x 675 | 1,350 x 235 x 675 | |

Accessories

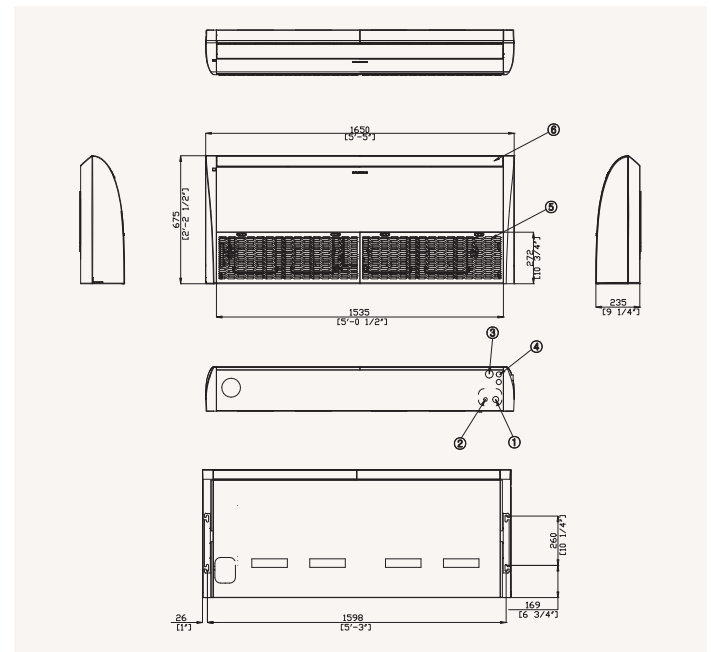


| Touch Controller | Wireless Remote Controller | Wireless Remote Controller | Wi-Fi Kit | E-therm Thermostat |
|------------------|----------------------------|----------------------------|-----------|--------------------|
| MWR-0411N | MWR-ME13N | MWR-ME001N | MIM-M01EN | MWR-04 |

Dimensional drawings

Big Ceiling

AM1121N/CCKR/ED



| ID | Name |
|----|--|
| 1 | Refrigerant gas pipe |
| 2 | Refrigerant liquid pipe |
| 3 | Condensate drain |
| 4 | Power supply/communication wiring conduits |
| 5 | Air inlet grille |
| 6 | Air outlet grille |

Specifications

Concealed Floor-Standing

- Silent operation.
- Sirocco fan driven by inverter motor.
- Compatible with Wi-Fi kit controller.
- Long-life washable permanent filter.
- Auto Restart function.



| Model | | | AM036N/F2C4/EU | AM036N/F2C4/EU | AM071N/F2D4/EU | |
|-------------------------|----------------------------|---------------------|-------------------------|-------------------------|-------------------------|------|
| Power Supply | Φ, V, Hz | | 10, 2, 220-240 V, 50 Hz | 10, 2, 220-240 V, 50 Hz | 10, 2, 220-240 V, 50 Hz | |
| Performance | Capacity (Nominal) | Cooling | kW | 3.6 | 5.6 | 7.1 |
| | | Heating | kW | 4.0 | 6.3 | 8.0 |
| Power | Power Input (Nominal) | Cooling | W | 50 | 110 | 110 |
| | | Heating | W | 50 | 110 | 110 |
| Current Input (Nominal) | Cooling | A | 0.24 | 0.53 | 0.53 | |
| | | Heating | A | 0.24 | 0.53 | 0.53 |
| Fan | Motor | Type | - | Sirocco Fan | Sirocco Fan | |
| | Airflow Rate | m ³ /min | 10,000/8,500/6,000 | 15,500/14,000/11,000 | 15,500/14,000/11,000 | |
| Piping Connections | Liquid Pipe | Φ, mm | 166.67/141.47/100.00 | 258.33/215.33/163.33 | 258.33/215.33/163.33 | |
| | | Φ, inch | 6.55 | 9.52 | 9.52 | |
| | | Φ, mm | 12.70 | 15.88 | 15.88 | |
| | | Φ, inch | 1/2 | 5/8 | 5/8 | |
| | | Φ, mm | 12.70 | 15.88 | 15.88 | |
| Gas Pipe | Φ, mm | 12.70 | 15.88 | 15.88 | | |
| | Φ, inch | 1/2 | 5/8 | 5/8 | | |
| Drain Pipe | Φ, mm | ID18 HOSE | ID18 HOSE | ID18 HOSE | | |
| | Power Source Wire | mm ² | 1.5/2.5 | 1.5/2.5 | 1.5/2.5 | |
| Field Wiring | Below 20 m / over 20 m | mm ² | 1.5/2.5 | 1.5/2.5 | 1.5/2.5 | |
| | Transmission Cable | mm ² | 0.75-1.50 | 0.75-1.50 | 0.75-1.50 | |
| Refrigerant | Type | - | R410A | R410A | R410A | |
| | Control Method | - | EVI INCLUDED | EVI INCLUDED | EVI INCLUDED | |
| Sound | Sound Pressure | 14/10/11 | 37/32/27 | 40/36/32 | 40/36/32 | |
| | Net Weight | kg | 23.0 | 28.5 | 28.5 | |
| Dimensions | Net Dimensions (W x H x D) | mm | 945 x 600 x 220 | 1,225 x 600 x 220 | 1,225 x 600 x 220 | |
| | Air Filter | - | Long-life Filter | Long-life Filter | Long-life Filter | |

Accessories

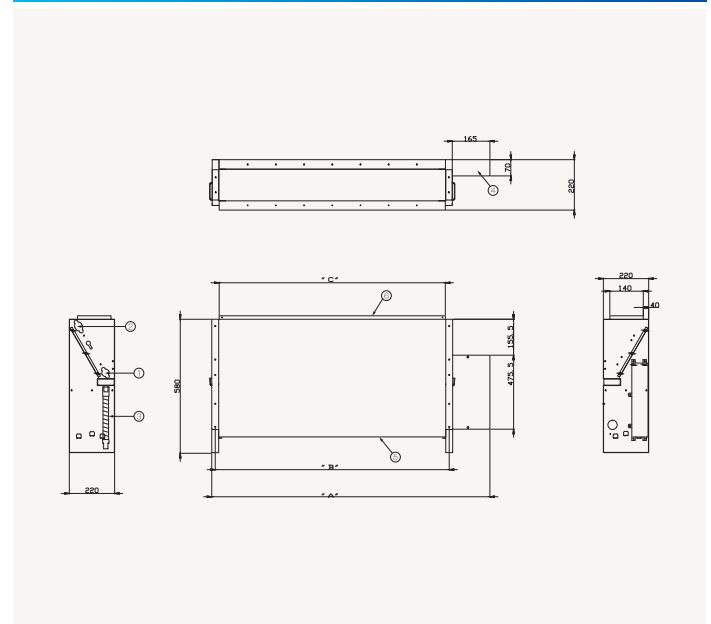


| Touch Controller | Wired Remote Controller | Wired Remote Controller | Wi-Fi Kit | Ethernet Thermostat |
|------------------|-------------------------|-------------------------|-----------|---------------------|
| MWR-Q411N | MWR-ME13N | MWR-ME20N | MIR-H01EN | MWR-H0 |

Dimensional drawings

Concealed Floor-Standing

AM036N/F2C4/EU***



| Note | A | B | C |
|----------------|-------|-------|-----|
| AM036N/F2C4/EU | 945 | 730 | 200 |
| AM036N/F2D4/EU | 1,225 | 1,070 | 980 |

| NO | Name | Specification | | |
|----|--|---------------|--------------|--------------|
| | | 3.6kW | 5.6kW | 7.1kW |
| 1 | Liquid pipe connection | ø6.35 Flare | ø6.35 Flare | ø6.35 Flare |
| 2 | Gas pipe connection | ø12.70 Flare | ø12.70 Flare | ø15.88 Flare |
| 3 | Drain pipe connection | | ID18 Hose | |
| 4 | Power supply/communication wiring conduits | | | |
| 5 | Air inlet grille | | | |
| 6 | Air outlet louvre | | | |

Specifications

Concealed Floor-Standing High Static Pressure

- Silent operation.
- Sirocco fan driven by inverter motor.
- Compatible with Wi-Fi Remote Controller.
- Long-life washable permanent filter.
- Auto Restart function.



| Model | | | AM036MNF0C4/E3 | AM036MNF0C4/E3 | AM071MNF0D1/E3 | |
|--------------------------|-------------------------|----------------------------|-------------------------|-------------------------|-------------------------|-------------------|
| Power Supply | | Φ, V, Hz | 10, 2, 220-240 V, 50 Hz | 10, 2, 220-240 V, 50 Hz | 10, 2, 220-240 V, 50 Hz | |
| Performance | Cooling (Nominal) | Cooling kW | 3.6 | 5.6 | 7.1 | |
| | Heating | Heating kW | 4.0 | 6.3 | 8.0 | |
| Power | Power Input (Nominal) | Cooling kW | 0.022 | 0.042 | 0.042 | |
| | Current Input (Nominal) | Heating kW | 0.022 | 0.042 | 0.042 | |
| Fan | Motor | Cooling A | 0.20 | 0.37 | 0.37 | |
| | | Heating A | 0.20 | 0.37 | 0.37 | |
| Fan | Type | Type | - | Sirocco Fan | Sirocco Fan | |
| | | Output in W | 100 x 1 | 100 x 1 | 100 x 1 | |
| External Static Pressure | Max. Static Pressure | Max. Static Pressure | 0.00/3.00/6.00 | 0.00/3.00/6.00 | 0.00/3.00/6.00 | |
| | | Min. Static Pressure | 0.00/29.40/58.80 | 0.00/29.40/58.80 | 0.00/29.40/58.80 | |
| Airflow Rate | Fan | Max. Airflow Rate | 600/930/1860 | 930/1860/3600 | 930/1860/3600 | |
| | | Min. Airflow Rate | 6.35 | 6.35 | 9.52 | |
| Piping Connections | Liquid Pipe | Gas Pipe | 1/4 | 1/4 | 3/8 | |
| | | Drain Pipe | 1/2 | 1/2 | 5/8 | |
| Field Wiring | Power Source Wire | Power Source Wire | 1.5-2.5 | 1.5-2.5 | 1.5-2.5 | |
| | | Transmission Cable | mm ² | 0.75-1.50 | 0.75-1.50 | 0.75-1.50 |
| Refrigerant | Type | Type | - | R410A | R410A | |
| | | Capacity | kg | 2.088 | 2.088 | 2.088 |
| Sensors | Sensors | Control Method | - | EEV INCLUDED | EEV INCLUDED | |
| | | Static Pressure | 16/11-11 | 37/32/27 | 40/36/32 | 40/36/32 |
| Dimensions | Net Weight | Static Power | 55.0 | 59.0 | 59.0 | |
| | | Net Weight | kg | 22.0 | 27.0 | 27.0 |
| Accessories | Air Filter | Net Dimensions (W x H x D) | mm | 945 x 600 x 220 | 1,225 x 600 x 220 | 1,225 x 600 x 220 |
| | | Accessories | - | Long-life Filter | Long-life Filter | Long-life Filter |

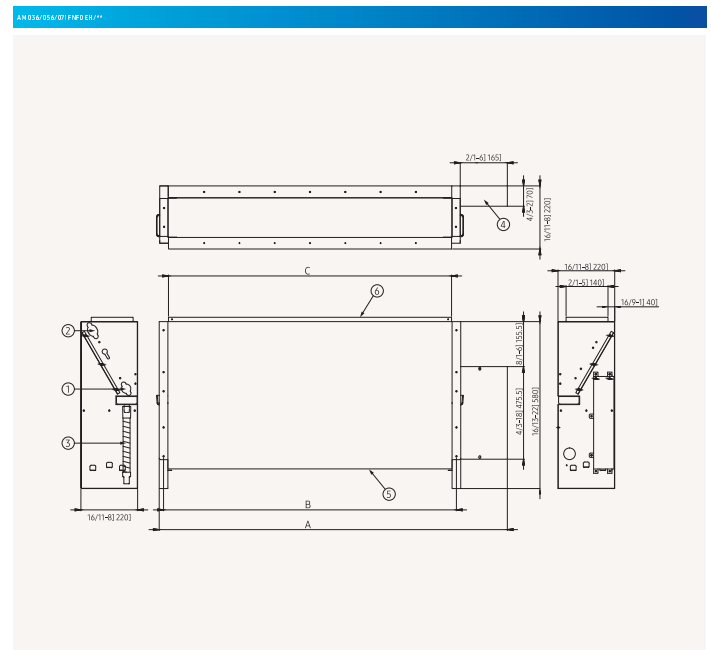
Accessories



| Touch Controller | Wired Remote Controller | Wired Remote Controller | Wi-Fi Kit | External Thermostat |
|------------------|-------------------------|-------------------------|-----------|---------------------|
| MWR-0417A | MWR-0413N | MWR-04000-N | MIM-0400N | MWR-04 |

Dimensional drawings

Concealed Floor-Standing High Static Pressure



| Note | A | B | C |
|----------------|-------|-------|-----|
| AM036MNF0C4/E3 | 945 | 730 | 700 |
| AM071MNF0D1/E3 | 1,225 | 1,070 | 980 |

| NO | Name | Specification | | |
|----|--|---------------|--------------|--------------|
| | | 3.6kW | 5.6kW | 7.1kW |
| 1 | Liquid pipe connection | ø6.35 Flare | ø6.35 Flare | ø6.35 Flare |
| 2 | Gas pipe connection | ø12.70 Flare | ø12.70 Flare | ø15.88 Flare |
| 3 | Drain pipe connection | ø12.70 Flare | ø12.70 Flare | ø15.88 Flare |
| 4 | Power supply/communication wiring conduits | ø18 Hose | ø18 Hose | ø18 Hose |
| 5 | Air inlet grille | | | |
| 6 | Air outlet louvre | | | |

Specifications

Packaged Floor-Standing

- Sirocco fan driven by inverter motor.
- Compatible with Wi-Fi Kit controller.



| Model | | AM140ERPOLR4-EU | AM140ERDKR4-EU | | |
|--------------------|----------------------------|----------------------------|-------------------------|---------------------|-------------|
| Power Supply | Φ, V, Hz | 10, 2, 220-240 V, 50/60 Hz | 10, 2, 220-240 V, 50 Hz | | |
| Performance | Capacity (Nominal) | Cooling | kW | 14 | 28 |
| | | Heating | | 16 | 31.5 |
| Power | Power Input (Nominal) | Cooling | W | 790 | 955 |
| | | Heating | | 790 | 955 |
| Current | Input (Nominal) | Cooling | A | 0.90 | 4.75 |
| | | Heating | | 0.90 | 4.75 |
| Fan | Motor | Type | - | Sirocco Fan | Sirocco Fan |
| | | Output in W | | 154 x 1 | 700 x 1 |
| Airflow Rate | m ³ /min | 35,00/30,50/27,50 | | 70,00/60,00/50,00 | |
| | | 583,33/508,33/458,33 | | 1366,67/1000/833,33 | |
| Piping Connections | Liquid Pipe | φ, mm | | 9.52 | |
| | | φ, inch | | 3/8 | |
| | | φ, mm | | 15.88 | |
| | | φ, inch | | 5/8 | |
| Drain Pipe | φ, mm | ID13/HDSE | | WPS100/52, ID129 | |
| | | | | | |
| Electrical Wiring | Power Source Wire | mm ² | | 2.5 | |
| | | mm ² | | 2.5 | |
| Refrigerant | Type | | | R410A | |
| | | | | R410A | |
| Control Method | Control Method | | | EEV INCLUDED | |
| | | | | EEV INCLUDED | |
| Sensors | Sensors | Pressure | μPa/Al | 54/47 | |
| | | Cooling | | 58/54 | |
| Dimension | Net Weight | | kg | 48.0 | |
| | | | | 115.0 | |
| Dimension | Net Dimensions (W x H x D) | | mm | 650 x 1,850 x 400 | |
| | | | | 1,000 x 1,800 x 485 | |

Accessories

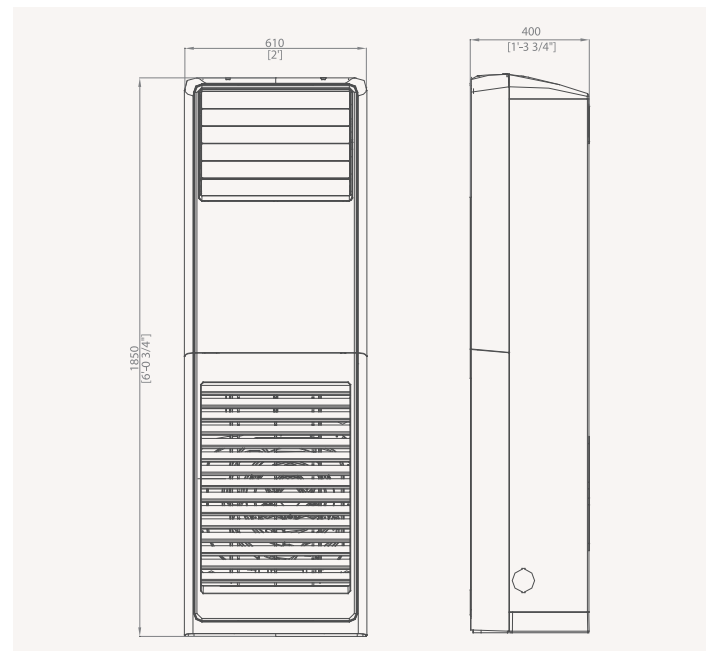


| Touch Controller | Wired Remote Controller | Wi-Fi Kit | External Thermostat |
|------------------|-------------------------|-----------|---------------------|
| MWR-0411N | MWR-0413N | MW-0400N | MWR-04 |

Dimensional drawings

Packaged Floor-Standing

AM140ERPOLR4-EU

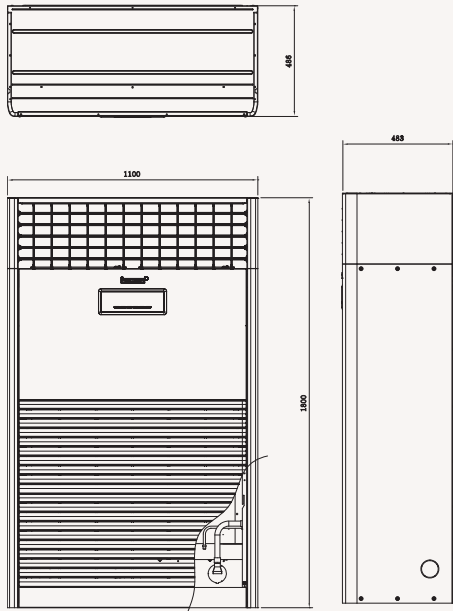


| NO | Name | Description |
|----|---------------------------|--------------|
| 1 | Gas piping refrigerant | ø15.88 (5/8) |
| 2 | Liquid piping refrigerant | ø9.52 (3/8) |
| 3 | Condensation drain piping | |

Dimensional drawings

Packaged Floor-Standing

A412201100EN_A2



| NO | Name | Description |
|----|-------------------------|--------------------|
| 1 | Refrigerant gas pipe | a22.22 (7/8) Flare |
| 2 | Refrigerant liquid pipe | ø15.2 (3/8) Flare |
| 3 | Drain pipe connection | VP25 Ø30.32 (D.25) |



Specifications

Boracay Wall-Mounted (EEV excluded)

- Motorised louvre provides an automatic change in airflow by directing the air up and down.
- Manual adjustable guide vane allows users to change the airflow from side to side (left to right).
- Turbo function provides fast and powerful cooling.
- Cross-flow fan direct driven by a single motor.
- Washable Full HD 50 Filter.
- Four-direction drain and refrigerant piping connection as standard.



| Model | | AM01KATEC/R/EE | AM02KATEC/R/EE | AM02KATEC/R/EE | | |
|--------------------|------------------------------|-------------------------|-------------------------|-------------------------|------------------|-------------|
| Power Supply | Φ, V, Hz | 10, 2, 220-240 V, 50 Hz | 10, 2, 220-240 V, 50 Hz | 10, 2, 220-240 V, 50 Hz | | |
| Performance | Cooling | kW | 1.5 | 2.2 | 2.8 | |
| | Heating | kW | 1.7 | 2.5 | 3.2 | |
| Power | Power Input (Nominal) | Cooling | W | 32.0 | 32.0 | 38.0 |
| | | Heating | W | 34.0 | 35.0 | 39.0 |
| | Current Input (Nominal) | Cooling | A | 0.20 | 0.20 | 0.22 |
| | | Heating | A | 0.20 | 0.20 | 0.22 |
| MCA | | 0.3 | 0.3 | 0.4 | | |
| MFA | | 15.0 | 15.0 | 15.0 | | |
| Fan | Type | - | Crossflow Fan | Crossflow Fan | Crossflow Fan | |
| | Number of Fans | - | 1 | 1 | 1 | |
| | Airflow Rate | R.M.A. (JUL) | m ³ /min | 6.2/5.7/5.1 | 6.4/5.7/5.1 | 7.0/6.2/5.5 |
| | | l/s | 103.3/95.0/85.0 | 110.0/95.0/85.0 | 116.7/103.3/91.7 | |
| Fan Motor | Type | - | SSR Feedback | SSR Feedback | SSR Feedback | |
| | Details in | W | 19 x 1 | 19 x 1 | 19 x 1 | |
| Piping/Connections | Liquid Pipe | ø, mm | 6.35 | 6.35 | 6.35 | |
| | | ø, Inch | 1/4 | 1/4 | 1/4 | |
| | Gas Pipe | ø, mm | 12.7 | 12.7 | 12.7 | |
| | | ø, Inch | 1/2 | 1/2 | 1/2 | |
| Flare Wiring | Power Source Wire | Minimum | m m ² | 1.5 | 1.5 | 1.5 |
| | Flare connection with indoor | Minimum | m m ² | 0.75 | 0.75 | 0.75 |
| | Remark | - | FL F2 | FL F2 | FL F2 | |
| Refrigerant | Type | - | R410A | R410A | R410A | |
| | Control Method | - | EEV NOT INCLUDED | EEV NOT INCLUDED | EEV NOT INCLUDED | |
| Sound ¹ | Sound Pressure | H.M./L | (dB)A | 31/28/25 | 31/28/25 | 31/29/26 |
| | Sound Power | Cooling | dB | 47 | 48 | 48 |
| Dimensions | Net Weight | kg | 8.0 | 8.0 | 8.5 | |
| | Net Dimensions (W x H x D) | mm | 820 x 285 x 227 | 820 x 285 x 227 | 820 x 285 x 227 | |

| Model | | AM03KATEC/R/EE | AM04KATEC/R/EE | AM05KATEC/R/EE | AM07KATEC/R/EE | | |
|--------------------|------------------------------|-------------------------|-------------------------|-------------------------|-------------------------|-------------------|----------------|
| Power Supply | Φ, V, Hz | 10, 2, 220-240 V, 50 Hz | 10, 2, 220-240 V, 50 Hz | 10, 2, 220-240 V, 50 Hz | 10, 2, 220-240 V, 50 Hz | | |
| Performance | Cooling | kW | 3.6 | 4.5 | 5.6 | 6.8 | |
| | Heating | kW | 4.0 | 5.0 | 6.3 | 7.0 | |
| Power | Power Input (Nominal) | Cooling | W | 42.0 | 47.0 | 48.0 | 51.0 |
| | | Heating | W | 42.0 | 47.0 | 48.0 | 53.0 |
| | Current Input (Nominal) | Cooling | A | 0.23 | 0.27 | 0.27 | 0.28 |
| | | Heating | A | 0.23 | 0.27 | 0.27 | 0.28 |
| MCA | | 0.4 | 0.4 | 0.4 | 0.4 | | |
| MFA | | 15.0 | 15.0 | 15.0 | 15.0 | | |
| Fan | Type | - | Crossflow Fan | Crossflow Fan | Crossflow Fan | Crossflow Fan | |
| | Number of Fans | - | 1 | 1 | 1 | 1 | |
| | Airflow Rate | R.M.A. (JUL) | m ³ /min | 8.5/7.5/6.4 | 13.9/12.4/11.2 | 14.4/12.9/11.2 | 15.7/14.1/12.9 |
| | | l/s | 141.7/125.0/110.0 | 231.7/206.7/186.7 | 240.0/215.0/186.7 | 261.7/235.0/215.0 | |
| Fan Motor | Type | - | SSR Feedback | SSR Feedback | SSR Feedback | SSR Feedback | |
| | Details in | W | 19 x 1 | 28 x 1 | 28 x 1 | 28 x 1 | |
| Piping/Connections | Liquid Pipe | ø, mm | 6.35 | 6.35 | 6.35 | 6.35 | |
| | | ø, Inch | 1/4 | 1/4 | 1/4 | 1/4 | |
| | Gas Pipe | ø, mm | 12.7 | 6.35 | 6.35 | 9.52 | |
| | | ø, Inch | 1/2 | 1/2 | 1/2 | 5/8 | |
| Flare Wiring | Power Source Wire | Minimum | m m ² | 1.5 | 1.5 | 1.5 | |
| | Flare connection with indoor | Minimum | m m ² | 0.75 | 0.75 | 0.75 | |
| | Remark | - | FL F2 | FL F2 | FL F2 | FL F2 | |
| Refrigerant | Type | - | R410A | R410A | R410A | | |
| | Control Method | - | EEV NOT INCLUDED | EEV NOT INCLUDED | EEV NOT INCLUDED | EEV NOT INCLUDED | |
| Sound ¹ | Sound Pressure | H.M./L | (dB)A | 34/31/29 | 38/35/33 | 39/36/33 | 40/38/35 |
| | Sound Power | Cooling | dB | 51 | 53 | 53 | 55 |
| Dimensions | Net Weight | kg | 8.5 | 12.0 | 12.0 | 12.0 | |
| | Net Dimensions (W x H x D) | mm | 820 x 285 x 227 | 1,065 x 298 x 243 | 1,065 x 298 x 243 | 1,065 x 298 x 243 | |

Accessories

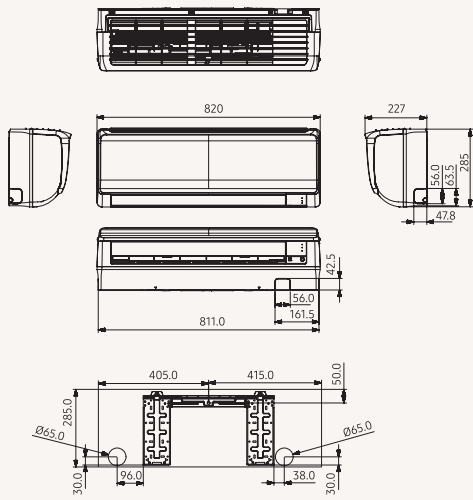


| Touch Controller | Wireless Remote Controller | Wireless Remote Controller | WiFi Kit | EEV and Thermostat |
|------------------|----------------------------|----------------------------|-----------|--------------------|
| MWR-SH17A | MWR-WR13N | MWR-WR0001N | MIM-HD-EN | MWR-TA |

Dimensional drawings

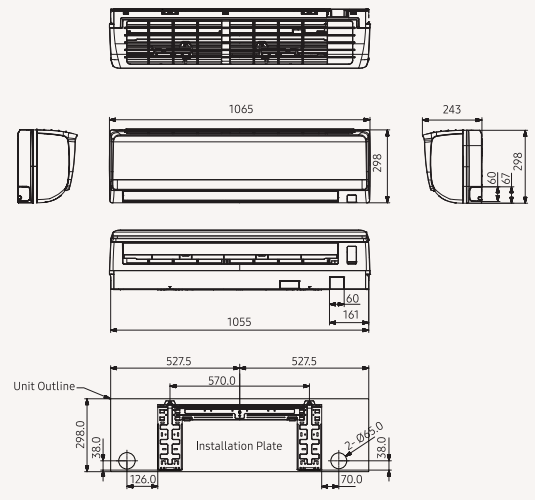
Boracay Wall-Mounted (EEV excluded)

A4625/002/001/029AK/HD/****



| N.O | Name | Description |
|-----|--|---------------|
| 1 | Liquid pipe connection | ø6.35 (1/4") |
| 2 | Gas pipe connection | ø12.70 (1/2") |
| 3 | Drain pipe connection | ID18 HDSE |
| 4 | Power supply/communication wiring conduits | - |

A4625/006/001/029AK/HD/****



| N.O | Name | Description |
|-----|--|---------------|
| 1 | Liquid pipe connection | ø6.35 (1/4") |
| 2 | Gas pipe connection | ø12.70 (1/2") |
| 3 | Drain pipe connection | ID18 HDSE |
| 4 | Power supply/communication wiring conduits | - |

Specifications

Boracay Wall-Mounted (EEV included)

- Motorised louver provides an automatic change in airflow by directing the air up and down.
- Manual adjustable guide vane allows users to change the airflow from side to side (left to right).
- Turbo function provides fast and powerful cooling.
- Cross-flow fan direct driven by a single motor.
- Washable Full HD 50 Filter.
- Four-direction drain and refrigerant piping connection as standard.



| Model | | AM01A/N/D/E/EE | AM02A/N/D/E/EE | AM03A/N/D/E/EE | |
|--------------------|-----------------------------|-------------------------|---------------------------|---------------------------|---------------------------|
| Power Supply | Φ, V, Hz | 10, 2, 220-240 V, 50 Hz | 10, 2, 220-240 V, 50 Hz | 10, 2, 220-240 V, 50 Hz | |
| Performance | Cooling | kW | 1.5 | 2.2 | 2.8 |
| | Heating | kW | 1.7 | 2.5 | 3.2 |
| Power | Power Input (Nominal) | W | 32.0 | 32.0 | 38.0 |
| | Heating | W | 34.0 | 35.0 | 39.0 |
| | Current Input (Nominal) | A | 0.20 | 0.20 | 0.22 |
| | Cooling | A | 0.20 | 0.20 | 0.22 |
| | MCA | | 0.3 | 0.3 | 0.4 |
| | MFA | | 15.0 | 15.0 | 15.0 |
| Fan | Type | - | Crossflow Fan | Crossflow Fan | Crossflow Fan |
| | Number of Fans | - | 1 | 1 | 1 |
| Airflow Rate | Number of Fans | - | 1 | 1 | 1 |
| | Airflow Rate | m ³ /min | 6.2/5.7/5.1 | 6.6/5.7/5.1 | 7.0/6.2/5.5 |
| Fan motor | Type | - | SSR Feedback | SSR Feedback | SSR Feedback |
| | Output | W | 19 x 1 | 19 x 1 | 19 x 1 |
| Piping Connections | Live Pipe | Ø, mm | 6.35 | 6.35 | 6.35 |
| | Ø, inch | | 1/4 | 1/4 | 1/4 |
| | Gas Pipe | Ø, mm | 12.7 | 12.7 | 12.7 |
| | Ø, inch | | 1/2 | 1/2 | 1/2 |
| | Drain Pipe | Ø, mm | - | ID 18 HOSE | ID 18 HOSE |
| | Heat Insulation | - | Both liquid and gas pipes | Both liquid and gas pipes | Both liquid and gas pipes |
| Flux wiring | Power Gas pipe | Ø, mm | 1.5 | 1.5 | 1.5 |
| | Flux connection with louver | Ø, mm | 0.75 | 0.75 | 0.75 |
| Refrigerant | Type | - | R132 | R132 | R132 |
| | Control Method | - | EEV INCLUDED | EEV INCLUDED | EEV INCLUDED |
| Sound | Sound Pressure | dB(A) | 31/28/25 | 31/28/25 | 31/29/26 |
| | Sound Power | W | 47 | 48 | 48 |
| Dimensions | Net Weight | kg | 8.5 | 9.0 | 9.0 |
| | Net Dimensions (W x H x D) | mm | 820 x 285 x 227 | 820 x 285 x 227 | 820 x 285 x 227 |

| Model | | AM04A/N/D/E/EE | AM05A/N/D/E/EE | AM06A/N/D/E/EE | AM07A/N/D/E/EE | |
|--------------------|-----------------------------|-------------------------|---------------------------|---------------------------|---------------------------|---------------------------|
| Power Supply | Φ, V, Hz | 10, 2, 220-240 V, 50 Hz | 10, 2, 220-240 V, 50 Hz | 10, 2, 220-240 V, 50 Hz | 10, 2, 220-240 V, 50 Hz | |
| Performance | Cooling | kW | 3.6 | 4.5 | 5.6 | 6.8 |
| | Heating | kW | 4.0 | 5.0 | 6.3 | 7.0 |
| Power | Power Input (Nominal) | W | 42.0 | 47.0 | 48.0 | 51.0 |
| | Heating | W | 42.0 | 47.0 | 48.0 | 51.0 |
| | Current Input (Nominal) | A | 0.23 | 0.27 | 0.27 | 0.28 |
| | Cooling | A | 0.23 | 0.27 | 0.27 | 0.28 |
| | MCA | | 0.4 | 0.4 | 0.4 | 0.4 |
| | MFA | | 15.0 | 15.0 | 15.0 | 15.0 |
| Fan | Type | - | Crossflow Fan | Crossflow Fan | Crossflow Fan | Crossflow Fan |
| | Number of Fans | - | 1 | 1 | 1 | 1 |
| Airflow Rate | Number of Fans | - | 1 | 1 | 1 | 1 |
| | Airflow Rate | m ³ /min | 8.5/7.5/6.4 | 11.9/10.4/11.2 | 14.4/12.9/11.2 | 16.7/14.1/12.9 |
| Fan motor | Type | - | SSR Feedback | SSR Feedback | SSR Feedback | SSR Feedback |
| | Output | W | 19 x 1 | 19 x 1 | 19 x 1 | 19 x 1 |
| Piping Connections | Live Pipe | Ø, mm | 6.35 | 6.35 | 6.35 | 6.35 |
| | Ø, inch | | 1/4 | 1/4 | 1/4 | 1/4 |
| | Gas Pipe | Ø, mm | 12.7 | 12.7 | 12.7 | 12.7 |
| | Ø, inch | | 1/2 | 1/2 | 1/2 | 1/2 |
| | Drain Pipe | Ø, mm | - | ID 18 HOSE | ID 18 HOSE | ID 18 HOSE |
| | Heat Insulation | - | Both liquid and gas pipes | Both liquid and gas pipes | Both liquid and gas pipes | Both liquid and gas pipes |
| Flux wiring | Power Gas pipe | Ø, mm | 1.5 | 1.5 | 1.5 | 1.5 |
| | Flux connection with louver | Ø, mm | 0.75 | 0.75 | 0.75 | 0.75 |
| Refrigerant | Type | - | R132 | R132 | R132 | R132 |
| | Control Method | - | EEV INCLUDED | EEV INCLUDED | EEV INCLUDED | EEV INCLUDED |
| Sound | Sound Pressure | dB(A) | 36/33/29 | 38/35/33 | 39/36/33 | 40/38/35 |
| | Sound Power | W | 51 | 53 | 53 | 55 |
| Dimensions | Net Weight | kg | 9.0 | 12.5 | 12.5 | 12.5 |
| | Net Dimensions (W x H x D) | mm | 820 x 285 x 227 | 1,065 x 298 x 243 | 1,065 x 298 x 243 | 1,065 x 298 x 243 |

Accessories



| Touch Controller | Wired Remote Controller | Wired Remote Controller | WiFi Kit | External Thermostat |
|------------------|-------------------------|-------------------------|-------------|---------------------|
| WRW-2811N | WRW-08C-13N | WRW-08C-01N | WRW-08C-01N | WRW-08 |

Specifications

AR5000 Wall-Mounted (EEV included)

- Triangular Architecture which enlarges the air intake and air outlet areas, resulting in increased airflow.
- Motorised louvre provides an automatic change in airflow by directing the air up and down.
- Manual adjustable guide vane allows users to change the airflow from side to side (left to right).
- Cross-Flow fan direct driven by a single motor.
- Wireless remote control is included.
- Compatible with Wi-Fi Kit controller.



| Model | | | AR012LN12KX/EE | AR021N14DK/EE | AR026L15DKX/EE | |
|--------------------|-----------------------|----------------------------|----------------------------|----------------------------|----------------------------|-----------------|
| Power Supply | | Φ, V, Hz | 10, 2, 220-240 V, 50/60 Hz | 10, 2, 220-240 V, 50/60 Hz | 10, 2, 220-240 V, 50/60 Hz | |
| Performance | Capacity (Nominal) | Cooling | kW | 1.5 | 2.2 | 2.8 |
| | | Heating | kW | 1.7 | 2.5 | 3.2 |
| Power | Power Input (Nominal) | Cooling | W | 14.0 | 15.0 | 16.0 |
| | | Heating | W | 16.0 | 18.0 | 24.0 |
| Current | Input (Nominal) | Cooling | A | 0.12 | 0.13 | 0.13 |
| | | Heating | A | 0.13 | 0.15 | 0.19 |
| Fan | Motor | Type | - | Crossflow Fan | Crossflow Fan | |
| | | Output | W | 27 x 1 | 27 x 1 | 27 x 1 |
| Airflow Rate | m³/min | Cooling | 4.40/4.20/3.90 | 5.40/4.70/4.50 | 5.70/5.00/4.50 | |
| | | Heating | 71.33/70.00/63.33 | 90.00/78.33/66.67 | 95.00/83.33/71.67 | |
| Piping Connections | Liquid Pipe | φ, mm | 6.35 | 6.35 | 6.35 | |
| | | φ, inch | 1/4 | 1/4 | 1/4 | |
| Gas Pipe | φ, mm | 12.70 | 12.70 | 12.70 | | |
| | | φ, inch | 1/2 | 1/2 | 1/2 | |
| Drain Pipe | φ, mm | 10/18 HOSE | 10/18 HOSE | 10/18 HOSE | | |
| | | mm² | 15/2.5 | 15/2.5 | 15/2.5 | |
| Refrigerant | Type | R410A | R410A | R410A | | |
| | | Control Method | - | EEV INCLUDED | EEV INCLUDED | |
| Sound | Sound Pressure | dB (MFL) | 28/25/24 | 33/29/25 | 36/31/29 | |
| | | Sound Power | 44 | 50 | 53 | |
| Dimensions | Net Weight | kg | 29 | 29 | 29 | |
| | | Net Dimensions (W x H x D) | mm | 750 x 249 x 246 | 750 x 249 x 246 | 750 x 249 x 246 |

| Model | | | AR036L18DK/EE | AR041L19DK/EE | AR051L21DKX/EE | AR071L24DKX/EE | AR081L26DK/EE | |
|--------------------|-----------------------|----------------------------|----------------------------|----------------------------|----------------------------|----------------------------|----------------------------|-------------------|
| Power Supply | | Φ, V, Hz | 10, 2, 220-240 V, 50/60 Hz | 10, 2, 220-240 V, 50/60 Hz | 10, 2, 220-240 V, 50/60 Hz | 10, 2, 220-240 V, 50/60 Hz | 10, 2, 220-240 V, 50/60 Hz | |
| Performance | Capacity (Nominal) | Cooling | kW | 3.6 | 4.5 | 5.6 | 7.1 | 8.2 |
| | | Heating | kW | 4.0 | 5.0 | 6.3 | 8.0 | 8.5 |
| Power | Power Input (Nominal) | Cooling | W | 20.0 | 31.0 | 27.0 | 41.0 | 55.0 |
| | | Heating | W | 28.0 | 41.0 | 37.0 | 55.0 | 72.0 |
| Current | Input (Nominal) | Cooling | A | 0.15 | 0.24 | 0.21 | 0.31 | 0.42 |
| | | Heating | A | 0.20 | 0.31 | 0.29 | 0.41 | 0.55 |
| Fan | Motor | Type | - | Crossflow Fan | Crossflow Fan | Crossflow Fan | Crossflow Fan | |
| | | Output | W | 27 x 1 | 27 x 1 | 27 x 1 | 27 x 1 | |
| Airflow Rate | m³/min | Cooling | 73.0/5.30/4.60 | 8.90/7.50/6.60 | 11.80/10.00/8.20 | 14.80/12.40/10.00 | 16.70/14.30/12.40 | |
| | | Heating | 118.33/95.00/76.67 | 148.33/125.00/100.00 | 196.67/164.67/136.67 | 244.67/206.67/166.67 | 278.33/238.33/206.67 | |
| Piping Connections | Liquid Pipe | φ, mm | 6.35 | 6.35 | 6.35 | 6.35 | 6.35 | |
| | | φ, inch | 1/4 | 1/4 | 1/4 | 1/4 | 1/4 | |
| Gas Pipe | φ, mm | 12.70 | 12.70 | 12.70 | 12.70 | 15.88 | 15.88 | |
| | | φ, inch | 1/2 | 1/2 | 1/2 | 1/2 | 5/8 | |
| Drain Pipe | φ, mm | 10/18 HOSE | 10/18 HOSE | 10/18 HOSE | 10/18 HOSE | 10/18 HOSE | | |
| | | mm² | 15/2.5 | 15/2.5 | 15/2.5 | 15/2.5 | 15/2.5 | |
| Refrigerant | Type | R410A | R410A | R410A | R410A | R410A | | |
| | | Control Method | - | EEV INCLUDED | EEV INCLUDED | EEV INCLUDED | EEV INCLUDED | |
| Sound | Sound Pressure | dB (MFL) | 37/34/30 | 41/38/34 | 39/36/33 | 44/41/36 | 47/45/40 | |
| | | Sound Power | 54 | 57 | 57 | 61 | 65 | |
| Dimensions | Net Weight | kg | 9.6 | 9.6 | 14.5 | 14.5 | 14.5 | |
| | | Net Dimensions (W x H x D) | mm | 826 x 261 x 261 | 826 x 261 x 261 | 1,065 x 301 x 294 | 1,065 x 301 x 294 | 1,065 x 301 x 294 |

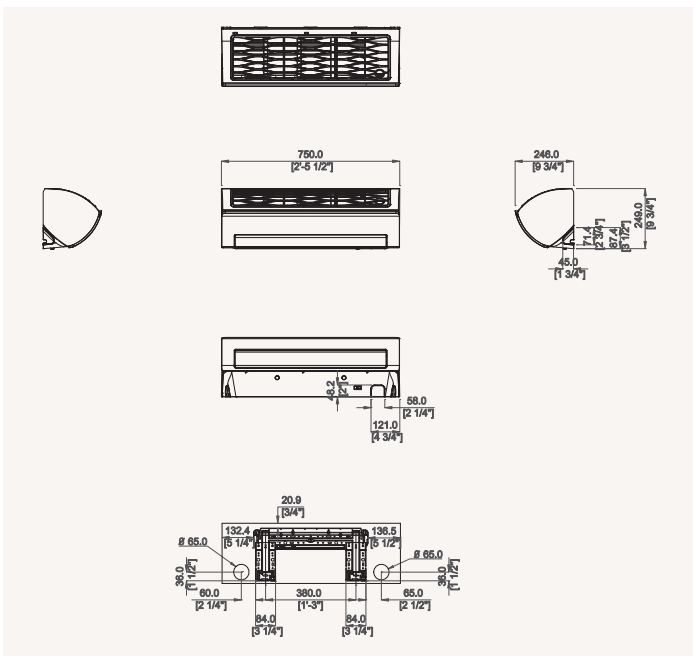
Accessories

| Image | Product Name | Model |
|-------|----------------------------|------------|
| | Wireless Remote Controller | AR-RC03E |
| | Touch Controller | MWR-SHTN |
| | Wireless Remote Controller | MWR-WETN |
| | Wireless Remote Controller | MWR-WESP-N |
| | Wi-Fi Kit | MN-WF02N |
| | External Thermostat | MER-04 |

Dimensional drawings

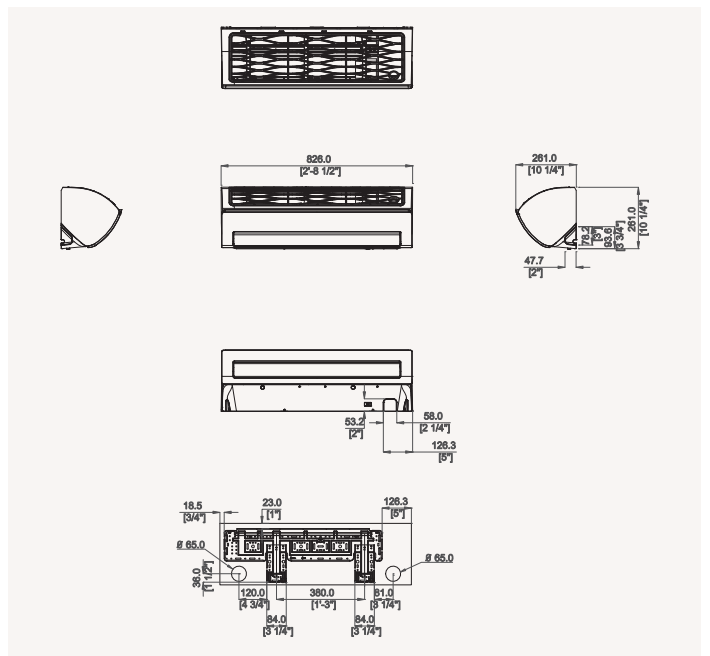
AR5000 Wall-Mounted (EEV included)

A R5011 W000 R1 EU A R5011 W000 H1 EU A R5011 W000 H1 EU



| N.O | Name | Description |
|-----|-------------------------|--------------------|
| 1 | Refrigerant gas pipe | ø12.70 (1/2) Flare |
| 2 | Refrigerant liquid pipe | ø6.35 (1/4) Flare |
| 3 | Drain pipe connection | ID 18 Hose |

A R5011 W000 R1 EU A R5011 W000 H1 EU



| N.O | Name | Description |
|-----|-------------------------|--------------------|
| 1 | Refrigerant gas pipe | ø12.70 (1/2) Flare |
| 2 | Refrigerant liquid pipe | ø6.35 (1/4) Flare |
| 3 | Drain pipe connection | ID 18 Hose |

Specifications

Hydro Unit

- Production of low temperature hot water and chilled water.
- Hot water production to a maximum temperature of 50 °C.
- Two-way control: leaving water temperature and room temperature control.

- Connection to low temperature radiators and AHU water coils.
- Hot water production for sanitary use.
- Connectable to Heat Recovery DVM S systems.



| Model (REF) | | | AM160PNBFC/EU | AM330PNBFC/EU | AM105PNBFC/EU | |
|----------------------------------|--|-----------------|-------------------------|-------------------------|-------------------------|-------------------|
| Power Supply | | Φ, V, Hz | 10, 2, 220-240 V, 50 Hz | 10, 2, 220-240 V, 50 Hz | 10, 2, 220-240 V, 50 Hz | |
| Performance | Capacity (Nominal) | Cooling | kW | 14.0 | 28.0 | 44.8 |
| | | Heating | kW | 16.0 | 31.5 | 50.4 |
| Power | Power Input (Nominal) | Cooling | W | 10 | 10 | 10 |
| | | Heating | W | 10 | 10 | 10 |
| | Current Input (Nominal) | Cooling | A | 0.05 | 0.05 | 0.05 |
| | | Heating | A | 0.05 | 0.05 | 0.05 |
| MCA (Including External Contact) | | | 2.2 | 2.2 | 2.2 | |
| Heat Exchanger | MFA | A | 2.75 | 2.75 | 2.75 | |
| | Type | | PHE | PHE | PHE | |
| | Quantity | | 1 | 1 | 1 | |
| | Pipe Size | Ø, inch | PT1 (2SA) | PT1 (2SA) | PT1 (1/4 (2DA) | |
| Piping Connections | Water Flow Rate | l/min | 48 | 92 | 150 | |
| | Flow Switch | l/min | 20 | 30 | 50 | |
| | Leak Pipe | Ø, mm | 9.52 | 9.52 | 12.70 | |
| Gas Pipe | Ø, inch | 5/8 | 3/8 | 1/2 | | |
| | Ø, mm | 15.88 | 22.20 | 28.58 | | |
| Flex Wiring | Power Source Wire (L10 m, Single Installation) | mm ² | 2.5 | 2.5 | 2.5 | |
| | Transmission Cable | mm ² | 0.75-1.50 | 0.75-1.50 | 0.75-1.50 | |
| Refrigerant | Type | | R410A | R410A | R410A | |
| | Control Method | | EVV | EVV | EVV | |
| Sound * | Sound Pressure | (dB(A)) | 27 | 28 | 31 | |
| | Sound Power | | 29.0 | 33.0 | 40.0 | |
| Dimensions | Net Dimensions (W x H x D) | | mm | 518 x 627 x 330 | 518 x 627 x 330 | 518 x 627 x 330 |
| | Operating Temperature Range | Ambient | Cooling | °C | -5.0-48.0 | -5.0-48.0 |
| Heating | | °C | -20.0-35.0 | -20.0-35.0 | -20.0-35.0 | |
| Hot Water (Max) | | Cooling (RR) | °C | -20.0-35.0 (43.0) | -20.0-35.0 (43.0) | -20.0-35.0 (43.0) |
| Leaving Water | | Cooling | °C | 5.0-30.0 | 5.0-30.0 | 5.0-30.0 |
| Heating | °C | 20.0-50.0 | 20.0-50.0 | 20.0-50.0 | | |



| Model (REF) | | | AM160PNBFC/EU | AM330PNBFC/EU | AM105PNBFC/EU | AM210PNBFC/EU |
|----------------------------------|--|-----------------|-------------------------|-------------------------|-------------------------|-------------------------|
| Power Supply | | Φ, V, Hz | 10, 2, 220-240 V, 50 Hz | 10, 2, 220-240 V, 50 Hz | 10, 2, 220-240 V, 50 Hz | 10, 2, 220-240 V, 50 Hz |
| Performance | Capacity (Nominal) | Cooling | kW | - | - | - |
| | | Heating | kW | 16 | 16 | 25 |
| Power | Power Input (Nominal) | Cooling | W | - | - | - |
| | | Heating | W | 3100 | 3100 | 5000 |
| | Current Input (Nominal) | Cooling | A | - | - | - |
| | | Heating | A | 14.30 | 4.85 | 23.10 |
| MCA (Including External Contact) | | | 24.15 | 12.88 | 32.15 | 12.88 |
| Heat Exchanger | MFA | A | 30.79 | 16.10 | 40.19 | 16.10 |
| | Type | | PHE | PHE | PHE | PHE |
| | Quantity | | 2 | 2 | 2 | 2 |
| | Pipe Size | Ø, inch | PT1 (2SA) | PT1 (2SA) | PT1 (2SA) | PT1 (2SA) |
| Piping Connections | Water Flow Rate | l/min | 23 | 23 | 36 | 36 |
| | Flow Switch | l/min | 12 | 12 | 12 | 12 |
| | Leak Pipe | Ø, mm | 9.52 | 9.52 | 9.52 | 9.52 |
| Gas Pipe | Ø, inch | 5/8 | 3/8 | 3/8 | 5/8 | |
| | Ø, mm | 15.88 | 15.88 | 15.88 | 15.88 | |
| Flex Wiring | Power Source Wire (L10 m, Single Installation) | mm ² | 4.0 | 2.5 | 4.0 | 2.5 |
| | Transmission Cable | mm ² | 0.75-1.50 | 0.75-1.50 | 0.75-1.50 | 0.75-1.50 |
| Refrigerant | Type | | R32/A | R32/A | R32/A | R32/A |
| | Control Method | | EVV | EVV | EVV | EVV |
| Sound * | Sound Pressure | (dB(A)) | 21.5/3.07 | 21.5/3.07 | 21.5/3.07 | 21.5/3.07 |
| | Sound Power | | 42 | 42 | 42 | 42 |
| Dimensions | Net Dimensions (W x H x D) | | mm | 104.0 | 104.0 | 104.0 |
| | Operating Temperature Range | Ambient | Cooling | °C | -20.0-35.0 | -20.0-35.0 |
| Heating | | °C | -20.0-35.0 | -20.0-35.0 | -20.0-35.0 | |
| Hot Water (Max) | | Cooling (RR) | °C | -20.0-35.0 (43.0) | -20.0-35.0 (43.0) | -20.0-35.0 (43.0) |
| Leaving Water | | Cooling | °C | 25.0-80.0 | 25.0-80.0 | 25.0-80.0 |
| Heating | °C | 25.0-80.0 | 25.0-80.0 | 25.0-80.0 | | |

Accessories



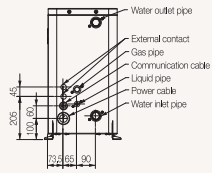
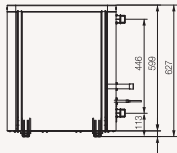
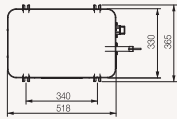
Wire Remote Controller M162-W160-N

Wire Remote Controller M162-W160-N

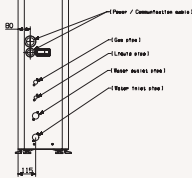
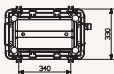
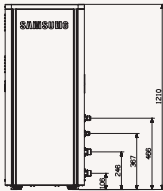
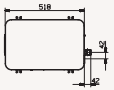
Dimensional drawings

Hydro Unit

4.41**11020 (R)



4.41**10315 (L)



Specifications

Mode Control Unit (MCU)

- Enable simultaneous heating and cooling for DVM Heat Recovery model.

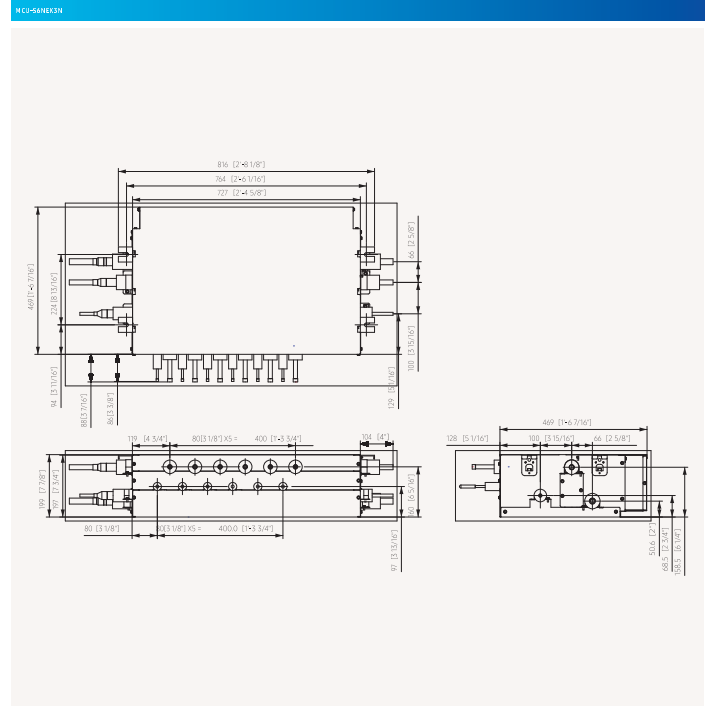
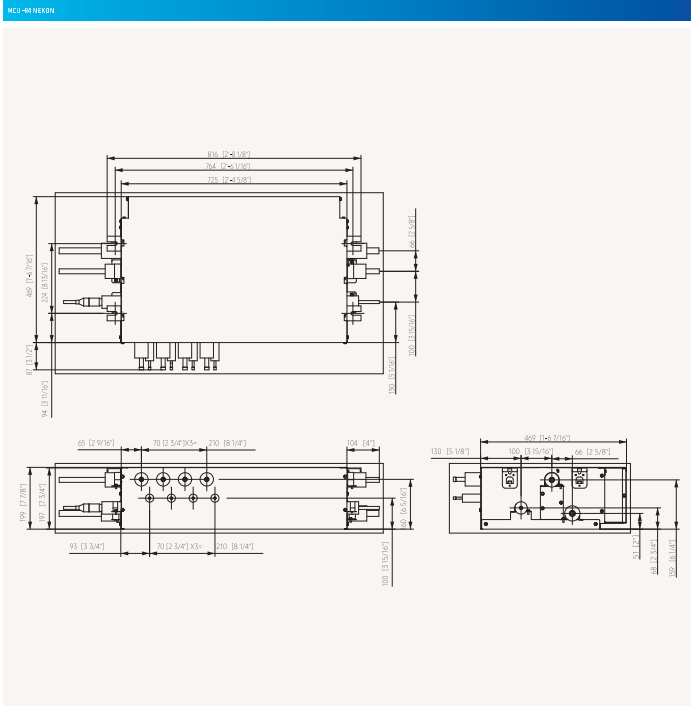


| Model | | MCU-42N EX2N | MCU-56A EX2N |
|--|--------------------------------|-------------------------|-------------------------|
| Type | | HR Changer | MCU |
| Power Supply | Φ, V, Hz | 10, 220-240 V, 50/60 Hz | 10, 220-240 V, 50/60 Hz |
| Mode | | Heat Recovery | Heat Recovery |
| Max. number of indoor units | - | 12 | 18 |
| Max. indoor units per part | - | 1 | 1 |
| Number of ports | - | 4 | 6 |
| Max. capacity of indoor units | kW | 22.4 | 22.4 |
| Max. capacity of indoor units per part | kW | 5.6 | 5.6 |
| Y-capac | kW | 14.0 | 14.0 |
| Refrigerant | kg/40% of capacity of charging | 0.5 | 0.5 |
| Piping Connections | Outdoor (R)-Liquid Pipe | Φ, mm | 9.52 |
| | | Φ, inch | 3/8 |
| | Gas Pipe (Low Pressure) | Φ, mm | 19.05 |
| | | Φ, inch | 3/4 |
| | Gas Pipe (High Pressure) | Φ, mm | 15.88 |
| | | Φ, inch | 5/8 |
| Indoor Unit-Liquid Pipe | Φ, mm | 6.35 | |
| | Φ, inch | 1/4 | |
| Gas Pipe | Φ, mm | 12.70 | |
| | Φ, inch | 1/2 | |
| External Dimensions | Net Weight | kg | 21.3 |
| | Net Dimensions (W x H x D) | mm | 728 x 199 x 469 |
| | Operating Temperature Range | °C | -5.0~48.0 |
| Cooling | °C (°F) | -5.0~48.0 | |
| | °C (°F) | -25.0~26.0 | |

| Model Name | | MCU-42N EX2N | MCU-42N EX2N | MCU-56N EX3N | MCU-56A EX2N | | |
|--|----------------------------|--|-------------------------|-------------------------|-------------------------|-------------------------|-------|
| Power Supply | Φ, V, Hz | 10, 2, 220-240 V, 50 Hz; 10, 2, 208-230 V, 60 Hz | | | | | |
| Power | Power Input (Nominal) | Cooling | W | 19 | 25 | 40 | 55 |
| | | Heating | W | 19 | 25 | 40 | 55 |
| | Current Input (Nominal) | Cooling | A | 0.20 | 0.20 | 0.20 | 0.30 |
| | | Heating | A | 0.20 | 0.20 | 0.20 | 0.30 |
| MCA | MCA | A | 2.0 | 2.0 | 2.0 | 2.0 | |
| | MFA (MOP) | A | 15.0 | 15.0 | 15.0 | 15.0 | |
| Max. number of connected indoor units | - | 8 | 16 | 32 | 32 | | |
| Max. number of connected indoor units per branch | - | 8 | 8 | 8 | 8 | | |
| Number of branches | - | 1 | 2 | 4 | 6 | | |
| Max. capacity of connected indoor units | HP | 16.0 | 32.0 | 61.6 | 61.6 | | |
| | Vo-olt | 16.0 | 32.0 | 32.0 | 32.0 | | |
| Max. capacity of connected indoor units per branch | HP | 2.5 | 2.5 | 2.5 | 2.5 | | |
| | Vo-olt | 2.5 | 32.0 | 32.0 | 32.0 | | |
| Flare Welding | Power Source Wire | mm ² | 2.5 | 2.5 | 2.5 | | |
| | Transmission Cable | mm ² | 0.75-1.50 | 0.75-1.50 | 0.75-1.50 | | |
| Service Pressure | Static Cooling Operation | MPa(a) | 1.1 | 1.4 | 3.6 | | |
| | Heating-Cooling Changeover | MPa(a) | 5.0 | 5.0 | 5.0 | | |
| Additional Refrigerant Charging | kg/40% | 0.5 | 0.5 | 0.5 | | | |
| Piping Connections | Outdoor Unit | Liquid Pipe | Φ, mm | 9.52 | 15.88 | 15.88 | 15.88 |
| | | | Φ, inch | 3/8 | 5/8 | 5/8 | 5/8 |
| | | Gas Pipe | Φ, mm | 22.22 | 28.58 | 28.58 | 28.58 |
| | | | Φ, inch | 7/8 | 1 1/8 | 1 1/8 | 1 1/8 |
| | Discharge Gas | Φ, mm | 19.05 | 28.58 | 28.58 | 28.58 | |
| | | Φ, inch | 3/8 | 1 1/8 | 1 1/8 | 1 1/8 | |
| | Indoor Unit | Liquid Pipe | Φ, mm | 9.52 | 9.52 | 9.52 | 9.52 |
| | | | Φ, inch | 3/8 | 3/8 | 3/8 | 3/8 |
| | | Gas Pipe | Φ, mm | 15.88 | 15.88 | 15.88 | 15.88 |
| | | | Φ, inch | 5/8 | 5/8 | 5/8 | 5/8 |
| External Dimensions | Net Weight | kg | 11.0 | 21.0 | 24.5 | | |
| | Net Dimensions (W x H x D) | mm | 338 x 409 x 199 | 728 x 469 x 199 | 728 x 469 x 199 | 728 x 469 x 199 | |
| Operation Limit | Cooling | °C (°F) | -15.0~48.0 (-5.0~118.4) | -15.0~48.0 (-5.0~118.4) | -15.0~48.0 (-5.0~118.4) | -15.0~48.0 (-5.0~118.4) | |
| | Heating | °C (°F) | -25.0~24.0 (-13.0~75.2) | -25.0~24.0 (-13.0~75.2) | -25.0~24.0 (-13.0~75.2) | -25.0~24.0 (-13.0~75.2) | |

Dimensional drawings

Mode Control Unit (MCU)



Dimensional drawings

Mode Control Unit (MCU)

